



Chipsmall Limited consists of a professional team with an average of over 10 year of expertise in the distribution of electronic components. Based in Hongkong, we have already established firm and mutual-benefit business relationships with customers from,Europe,America and south Asia,supplying obsolete and hard-to-find components to meet their specific needs.

With the principle of "Quality Parts,Customers Priority,Honest Operation,and Considerate Service",our business mainly focus on the distribution of electronic components. Line cards we deal with include Microchip,ALPS,ROHM,Xilinx,Pulse,ON,Everlight and Freescale. Main products comprise IC,Modules,Potentiometer,IC Socket,Relay,Connector.Our parts cover such applications as commercial,industrial, and automotives areas.

We are looking forward to setting up business relationship with you and hope to provide you with the best service and solution. Let us make a better world for our industry!



Contact us

Tel: +86-755-8981 8866 Fax: +86-755-8427 6832

Email & Skype: info@chipsmall.com Web: www.chipsmall.com

Address: A1208, Overseas Decoration Building, #122 Zhenhua RD., Futian, Shenzhen, China



CMOS/TTL SMD PROGRAMMABLE CRYSTAL OSCILLATOR



3.2 X 2.5 X 1.05 mm



ASEP SERIES

FEATURES:

- Wide frequency range from 1MHz up to 125MHz
- Miniature size for high density applications
- -40 + 85C industrial operating temperature available

APPLICATIONS:

- Precision clock frequency for a wide range of emerging technology applications.

For Small Quantities,
Delivery Time
is 1-5 days

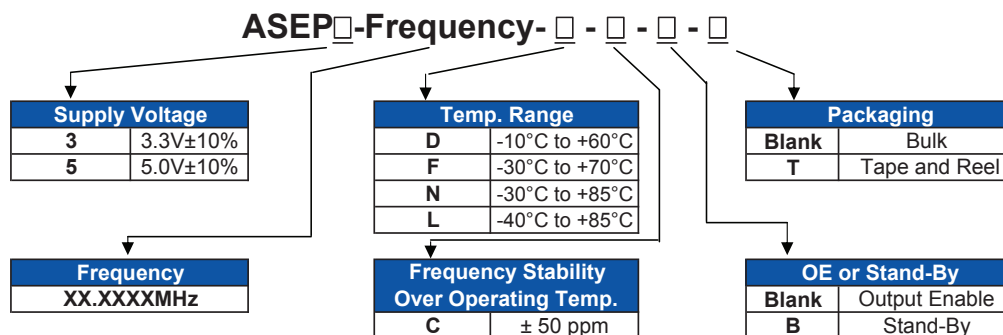
STANDARD SPECIFICATIONS:

PARAMETERS

ABRACON P/N		ASEP Series			
Characteristics		Unit	Minimum	Typical	Maximum
Frequency Range		MHz	1	--	125
Operating Temp. Range * (See Options)		°C	-20	--	70
Storage Temp. Range * (See Options)		°C	-55	--	125
Freq. Stability Over Operating Temp.* (See Options)		ppm	-100	--	100
Supply Voltage (See options)	ASEP3	VDC	2.97	3.3	3.63
	ASEP5	VDC	4.5	5.0	5.5
Supply Current	ASEP3	mA	--	--	25
	ASEP5	mA	--	--	45
Disable Current (See options)	ASEP3	mA	--	--	15
	ASEP5	mA	--	--	30
Stand-by Current (See options)		uA	--	--	50
Output Load	CMOS	15pF (ASEP3 and ASEP5)			
	TTL	5TTL max. (ASEP5 only)			
Symmetry	CMOS (1/2Vdd)	%	40	50	60
	TTL (1.4V)	%	40	50	60
Rise Time	CMOS (20%Vdd<=>80%Vdd)	nSec	--	--	4
	TTL(0.4V<=>2.4V)	nSec	--	--	4
Fall Time	CMOS (20%Vdd<=>80%Vdd)	nSec	--	--	4
	TTL (0.4V<=>2.4V)	nSec	--	--	4
Output Voltage	CMOS	VOH	--	--	0.9*Vdd min.
		VOL	0.1*Vdd max.	--	--
	TTL	VOH	--	--	0.9*Vdd min.
		VOL	0.4*Vdd max.	--	--
Input (OE) Voltage	ASEP3 (CMOS)	VIH	--	--	0.7*Vdd min.
		VIL	0.2*Vdd max.	--	--
	ASEP5 (CMOS and TTL)	VIH	--	--	2.0V min.
		VIL	0.8V max.	--	--
Start-Up time		ms	--	--	10
Output Disable Time		ns	--	--	100
Output Enable Time (OE)		ns	--	--	100
Output Enable Time (ST)		ms	--	--	10
Aging (First Year)		ppm	-5	--	5

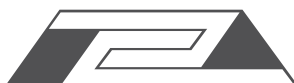
OPTIONS & PART IDENTIFICATION:

(Left blank if standard)



Please contact ABRACON for tighter stability

ABRACON IS
ISO 9001 / QS 9000
CERTIFIED



ABRACON
CORPORATION

Visit www.abracon.com for Terms & Conditions of Sale **Revised: 07.25.08**
30332 Esperanza, Rancho Santa Margarita, California 92688
tel 949-546-8000 | fax 949-546-8001 | www.abracon.com

CMOS/TTL SMD PROGRAMMABLE CRYSTAL OSCILLATOR

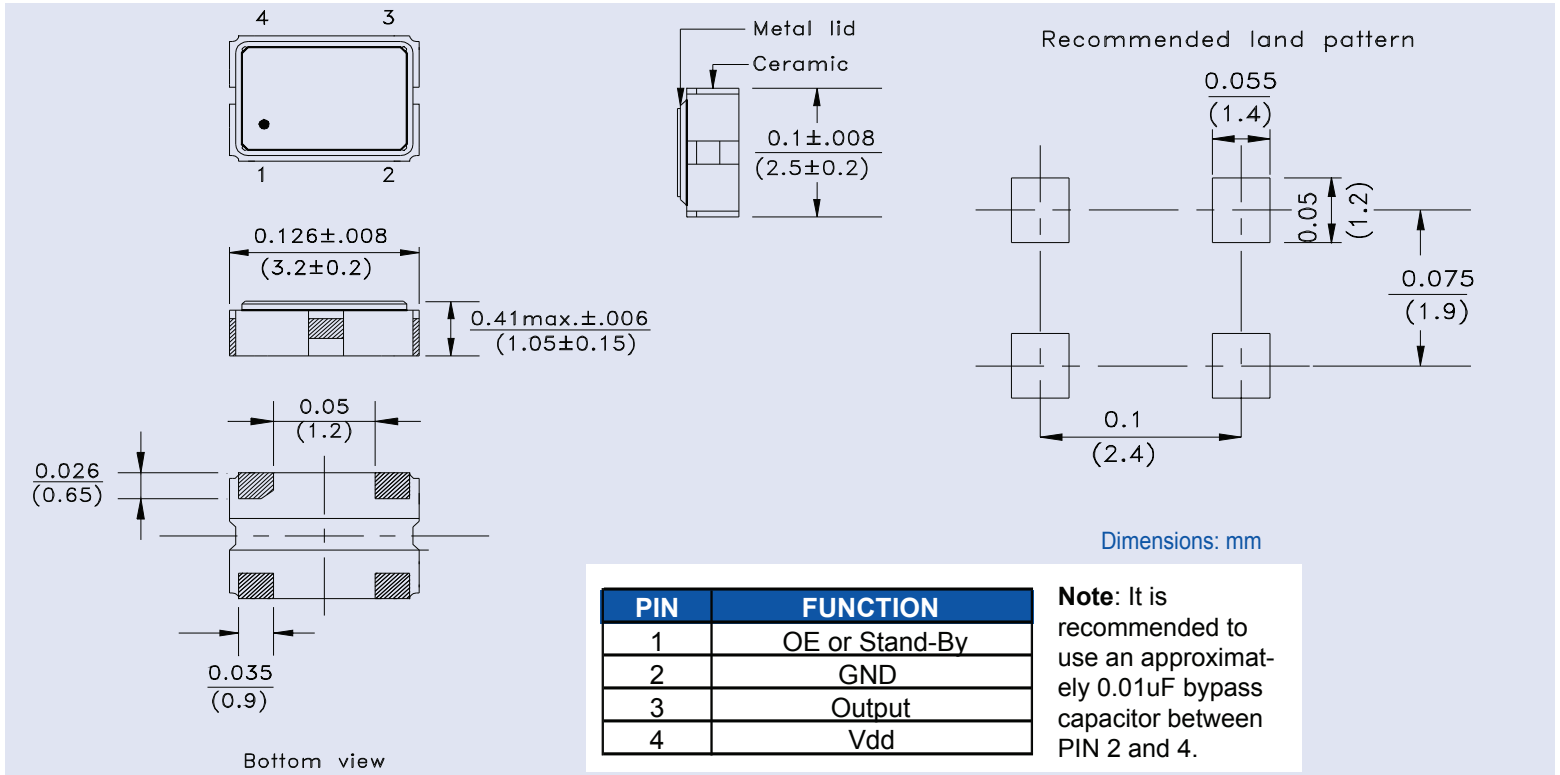


3.2 X 2.5 X 1.05 mm

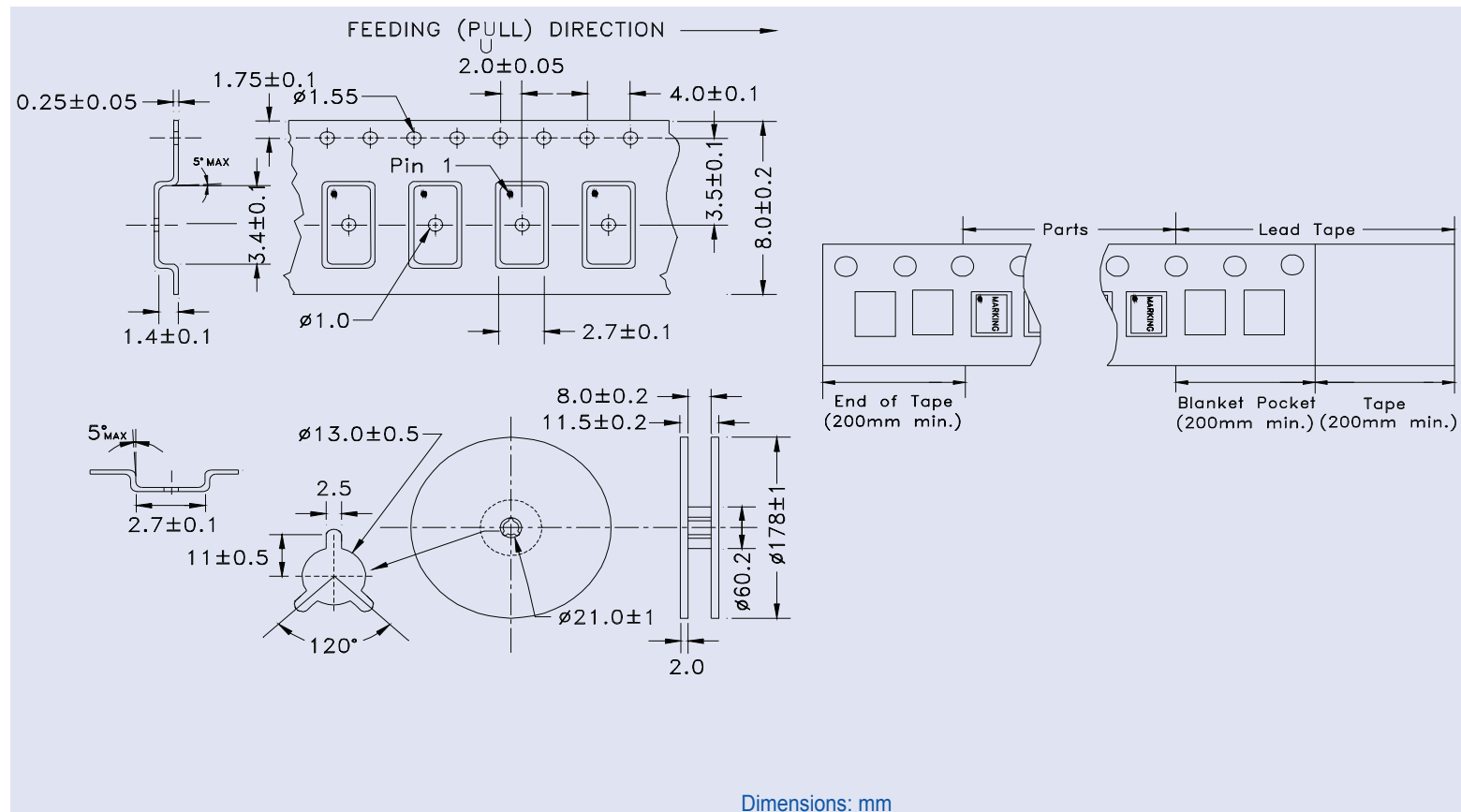
ASEP SERIES



OUTLINE DRAWING:



TAPE & REEL:



ABRACON IS
ISO 9001 / QS 9000
CERTIFIED



Visit www.abracon.com for Terms & Conditions of Sale **Revised: 07.25.08**
30332 Esperanza, Rancho Santa Margarita, California 92688
tel 949-546-8000 | fax 949-546-8001 | www.abracon.com