



Chipsmall Limited consists of a professional team with an average of over 10 year of expertise in the distribution of electronic components. Based in Hongkong, we have already established firm and mutual-benefit business relationships with customers from,Europe,America and south Asia,supplying obsolete and hard-to-find components to meet their specific needs.

With the principle of “Quality Parts,Customers Priority,Honest Operation,and Considerate Service”,our business mainly focus on the distribution of electronic components. Line cards we deal with include Microchip,ALPS,ROHM,Xilinx,Pulse,ON,Everlight and Freescale. Main products comprise IC,Modules,Potentiometer,IC Socket,Relay,Connector.Our parts cover such applications as commercial,industrial, and automotives areas.

We are looking forward to setting up business relationship with you and hope to provide you with the best service and solution. Let us make a better world for our industry!



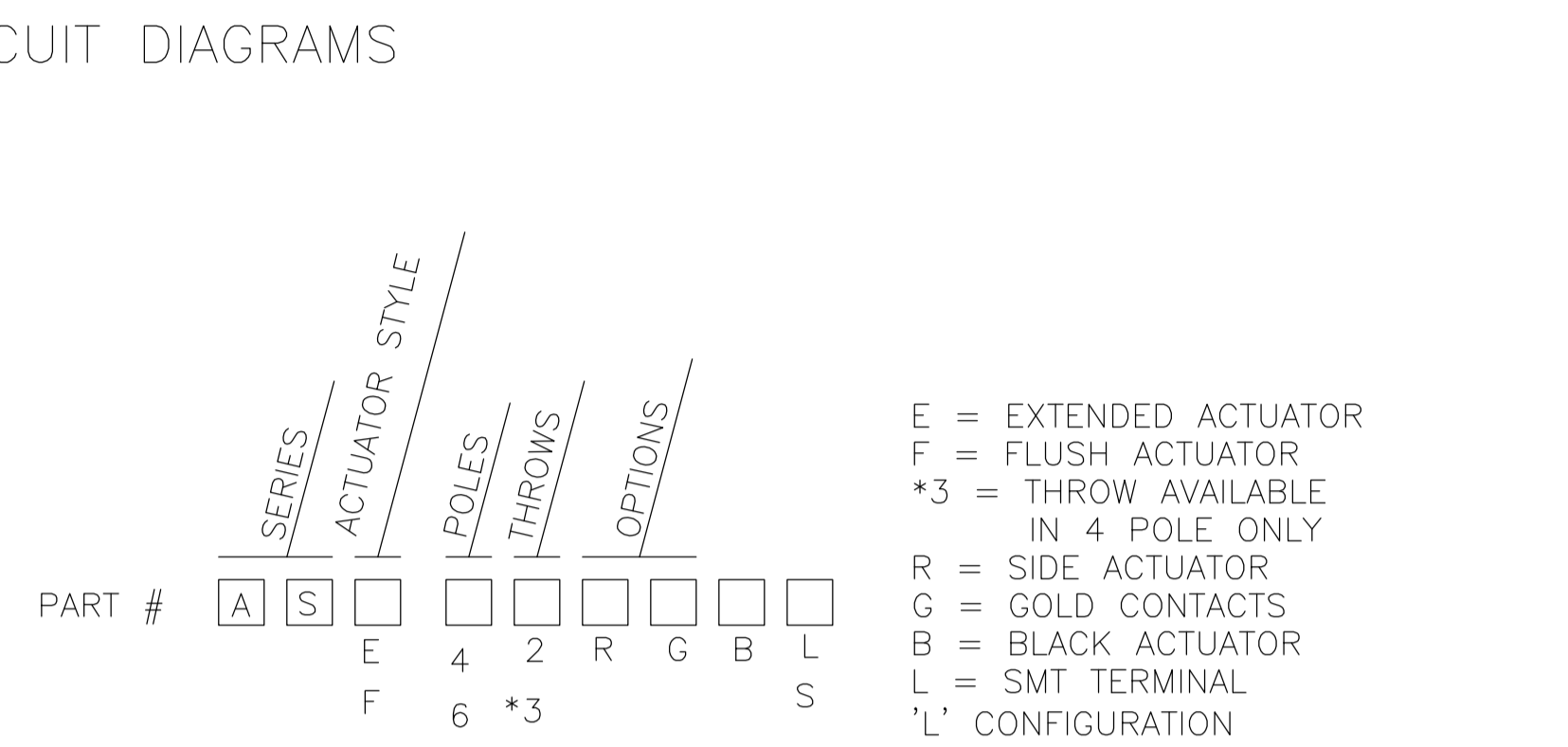
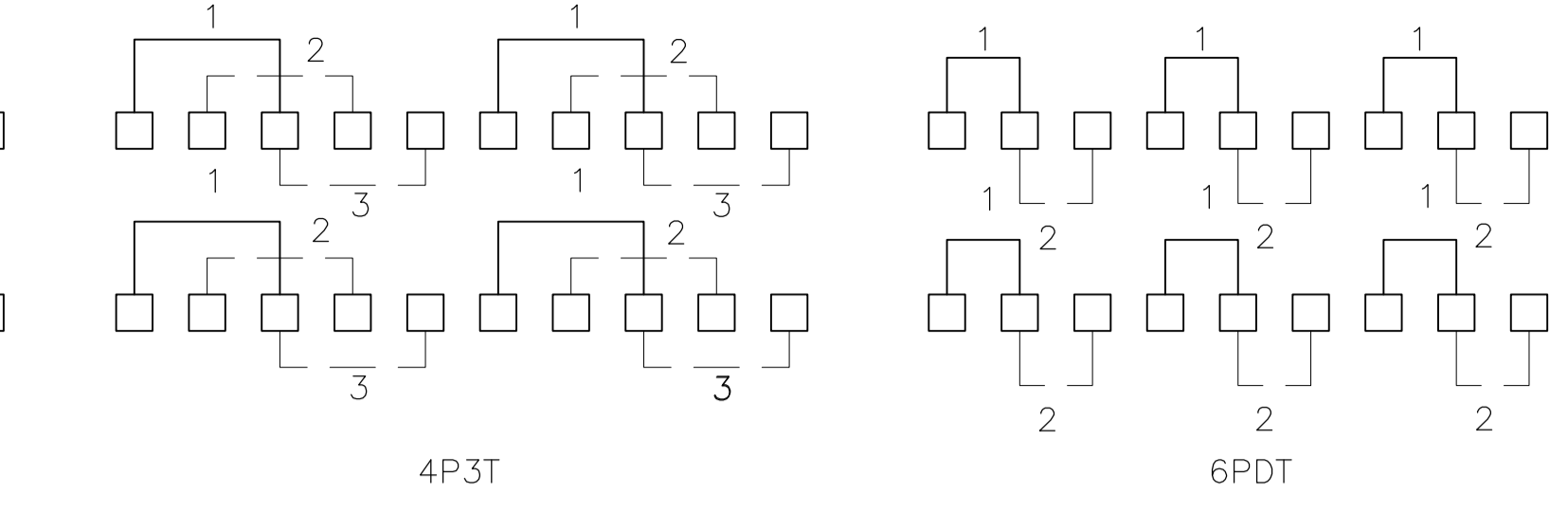
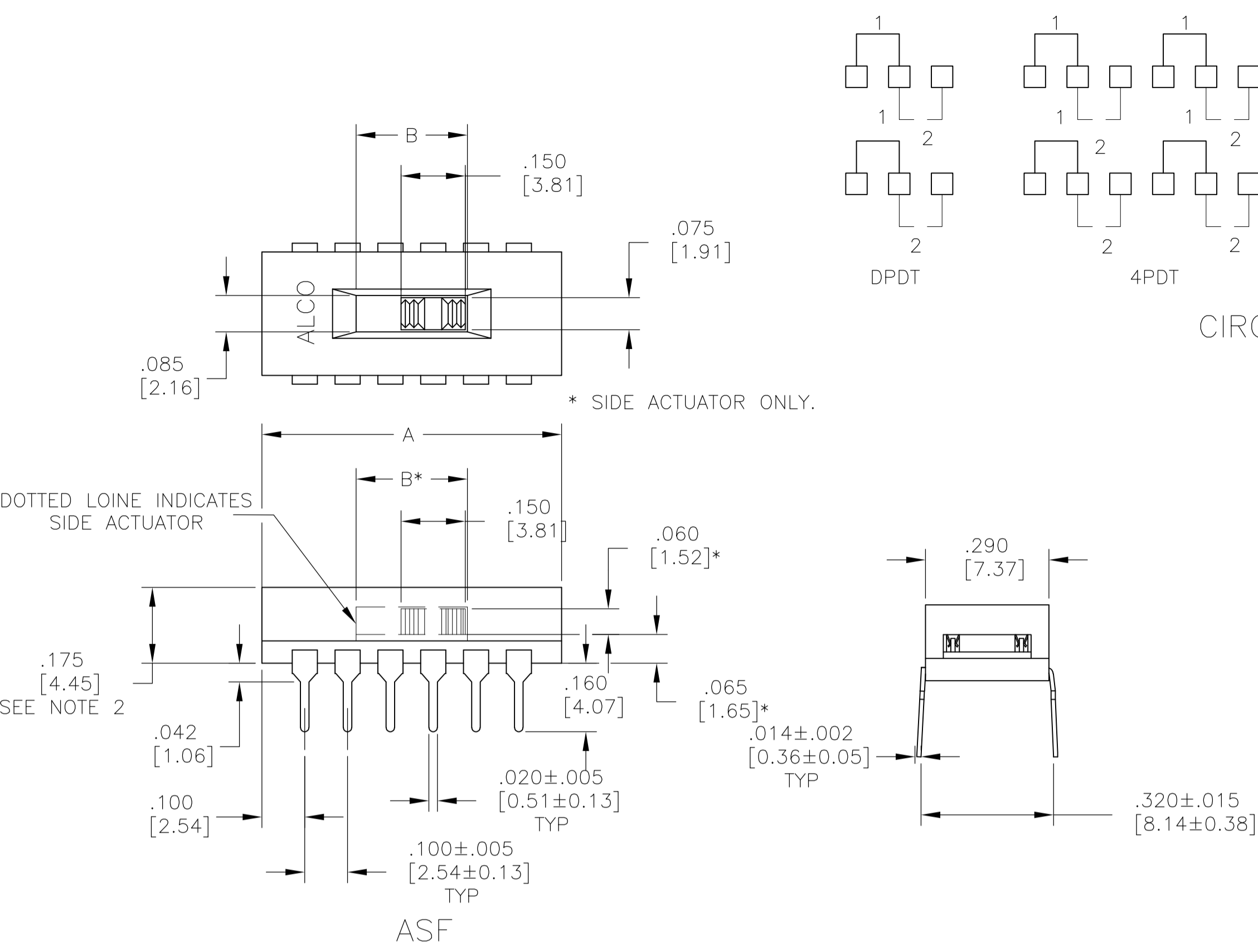
## Contact us

Tel: +86-755-8981 8866 Fax: +86-755-8427 6832

Email & Skype: info@chipsmall.com Web: www.chipsmall.com

Address: A1208, Overseas Decoration Building, #122 Zhenhua RD., Futian, Shenzhen, China





**SPECIFICATIONS:**

**MATERIAL:**  
 BASE, COVER: PCT UL94V-0, BLACK.  
 MOVABLE CONTACT: COPPER ALLOY - GOLD OR SILVER OVER NICKEL  
 FIXED CONTACT/TERMINAL: COPPER ALLOY.  
 PLATING: GOLD OR SILVER OVER NICKEL FINISH.

**ELECTRICAL:**  
 CONTACT RATING: SILVER: 300 MILLIAMPS @ 115 VAC.  
 CONTACT RESISTANCE: INITIAL 40 MILLIOHMS MAX.  
 INSULATION RESISTANCE: 1000 MEGOHMS MAX.  
 DIELECTRIC STRENGTH: 600 VOLTS RMS AT SEA LEVEL.  
 LIFE EXPECTANCY: 15,000 CYCLES MIN.

**ENVIRONMENTAL:**  
 OPERATING TEMPERATURE: -40° TO 80°C  
 HIGH TEMPERATURE RESISTANCE: WILL WITHSTAND VAPOR PHASE  
 PROCESS CLEANING: WILL WITHSTAND AQUEOUS OR SOLVENT  
 SOLDERABILITY PER EIA 364-52 CLASS 2 CATEGORY 1

- NOTES: UNLESS OTHERWISE SPECIFIED**
- ALL SWITCHES HAVE OPEN ENDS EXCEPT TOP FLUSH ACTUATOR, WHICH COMES STANDARD WITH TAPE SEAL.
  - STANDARD PRODUCT (AFTER WELD) HEIGHT IS ALLOWED UP TO .180 IN. ALL SWITCH "SPECIALS" MUST MAINTAIN .178 MAX. (AFTER WELD) HEIGHT.
  - TAPE AND REEL PER EIA 481 OR 22" ANTI-STATIC TUBES
- 4** SAME AS ASF22LTR WITHOUT TAPE SEAL

AS* - 43****	1.100 [27.94]	.360 [9.14]	.900 [22.86]	.230 [5.82]
AS* - 62****	1.000 [25.40]	.260 [6.60]	.800 [20.32]	.230 [5.82]
AS* - 42****	.700 [17.78]	.260 [6.60]	.500 [12.70]	.230 [5.82]
AS* - 22****	.400 [10.16]	.260 [6.60]	.200 [5.08]	.105 [2.67]
SWITCH NO.	DIM A	DIM B	DIM C	DIM D

\* = OPTIONS (SEE CHART)

**UPRIGHT, THROUGH HOLE, EXTENDED ACTUATOR**

P/N	T&B MODEL	FUNCTION
1437581-2	ASE22	DPDT
1437581-4	ASE22G	DPDT
1-1437581-4	ASE42	4PDT
1-1437581-6	ASE42G	4PDT
2-1437581-5	ASE43	4P3T
2-1437581-6	ASE43G	4P3T
3-1437581-1	ASE62	6PDT
3-1437581-3	ASE62G	6PDT

**RIGHT ANGLE, THROUGH HOLE, FLUSH ACTUATOR**

P/N	T&B MODEL	FUNCTION
6-1437581-2	ASF22R	DPDT
6-1437581-3	ASF22RG	DPDT
7-1437581-3	ASF42R	4PDT
7-1437581-4	ASF42RG	4PDT
7-1437581-4	ASF43R	4P3T
8-1437581-2	ASF43RG	4P3T
8-1437581-9	ASF62R	6PDT
9-1437581-1	ASF62RG	6PDT

**RIGHT ANGLE, THROUGH HOLE, EXTENDED ACTUATOR**

P/N	T&B MODEL	FUNCTION
1437581-8	ASE22R	DPDT
1437581-9	ASE22RG	DPDT
1-1437581-9	ASE42R	4PDT
2-1437581-0	ASE42RG	4PDT
2-1437581-9	ASE43R	4P3T
3-1437581-0	ASE43RG	4P3T
3-1437581-6	ASE62R	6PDT
3-1437581-7	ASE62RG	6PDT

**UPRIGHT, SURFACE MOUNT "L" TYPE, FLUSH ACTUATOR**

P/N	T&B MODEL	FUNCTION
1571007-1	ASF22LTR	DPDT
2-1437582-0	ASF71260	DPDT
5-1437581-9	ASF22GL	DPDT
6-1437581-1	ASF22L	DPDT
1571007-4	ASF22GLTR	DPDT
7-1437581-1	ASF42GL	4PDT
7-1437581-2	ASF42L	4PDT
8-1437581-0	ASF43GL	4P3T
8-1437581-1	ASF43L	4P3T
8-1437581-7	ASF62GL	6PDT
8-1437581-8	ASF62L	6PDT

**UPRIGHT, SURFACE MOUNT "L" TYPE, EXTENDED ACTUATOR**

P/N	T&B MODEL	FUNCTION
1437581-5	ASE22GL	DPDT
1437581-7	ASE22L	DPDT
1-1437581-7	ASE42GL	4PDT
1-1437581-8	ASE42L	4PDT
2-1437581-7	ASE43GL	4P3T
2-1437581-8	ASE43L	4P3T
3-1437581-4	ASE62GL	6PDT
3-1437581-5	ASE62L	6PDT

**UPRIGHT, SURFACE MOUNT "S" TYPE, FLUSH ACTUATOR**

P/N	T&B MODEL	FUNCTION
6-1437581-0	ASF22GS	DPDT
6-1437581-7	ASF22S	DPDT
1571007-2	ASF22STR	DPDT
	ASF42GS	4PDT
1571007-3	ASF42STR	4PDT
7-1437581-7	ASF42S	4PDT
	ASF43GS	4P3T
8-1437581-3	ASF43S	4P3T
	ASF62GS	6PDT
9-1437581-4	ASF62S	6PDT

**UPRIGHT, SURFACE MOUNT "S" TYPE, EXTENDED ACTUATOR**

P/N	T&B MODEL	FUNCTION
1437581-6	ASE22GS	DPDT
1-1437581-3	ASE22S	DPDT
	ASE42GS	4PDT
2-1437581-4	ASE42S	4PDT
	ASE43GS	4P3T
	ASE43S	4P3T
	ASE62GS	6PDT
	ASE62S	6PDT

**RIGHT ANGLE, SURFACE MOUNT "L" TYPE, FLUSH ACTUATOR**

P/N	T&B MODEL	FUNCTION
6-1437581-4	ASF22RGL	DPDT
	ASF22RL	DPDT
7-1437581-5	ASF42RGL	4PDT
7-1437581-6	ASF42RL	4PDT
	ASF43RGL	4P3T
	ASF43RL	4P3T
9-1437581-2	ASF62RGL	6PDT
	ASF62RL	6PDT

**RIGHT ANGLE, SURFACE MOUNT "L" TYPE, EXTENDED ACTUATOR**

P/N	T&B MODEL	FUNCTION
	ASE22RGL	DPDT
1-1437581-1	ASE22RL	DPDT
2-1437581-1	ASE42RGL	4PDT
2-1437581-2	ASE42RL	4PDT
	ASE43RGL	4P3T
	ASE43RL	4P3T
3-1437581-8	ASE62RGL	6PDT
3-1437581-9	ASE62RL	6PDT

**RIGHT ANGLE, SURFACE MOUNT "S" TYPE, EXTENDED ACTUATOR**

P/N	T&B MODEL	FUNCTION
1-1437581-0	ASE22RGS	DPDT
1-1437581-2	ASE22RS	DPDT
	ASE42RGS	4PDT
2-1437581-3	ASE42RS	4PDT
	ASE43RGS	4P3T
	ASE43RS	4P3T
	ASE62RGS	6PDT
	ASE62RS	6PDT

**RIGHT ANGLE, SURFACE MOUNT "S" TYPE, FLUSH ACTUATOR**

P/N	T&B MODEL	FUNCTION
6-1437581-5	ASF22RGS	DPDT
6-1437581-6	ASF22RS	DPDT
	ASF42RGS	4PDT
	ASF42RS	4PDT
	ASF43RGS	4P3T
	ASF43RS	4P3T
9-1437581-3	ASF62RGS	6PDT
	ASF62RS	6PDT

**UPRIGHT, THROUGH HOLE, FLUSH ACTUATOR**

P/N	T&B MODEL	FUNCTION
5-1437581-6	ASF22	DPDT
5-1437581-8	ASF22G	DPDT
6-1437581-8	ASF42	4PDT
7-1437581-0	ASF42G	4PDT
7-1437581-8	ASF43	4P3T
7-1437581-9	ASF43G	4P3T
8-1437581-4	ASF62	6PDT
8-1437581-6	ASF62G	6PDT

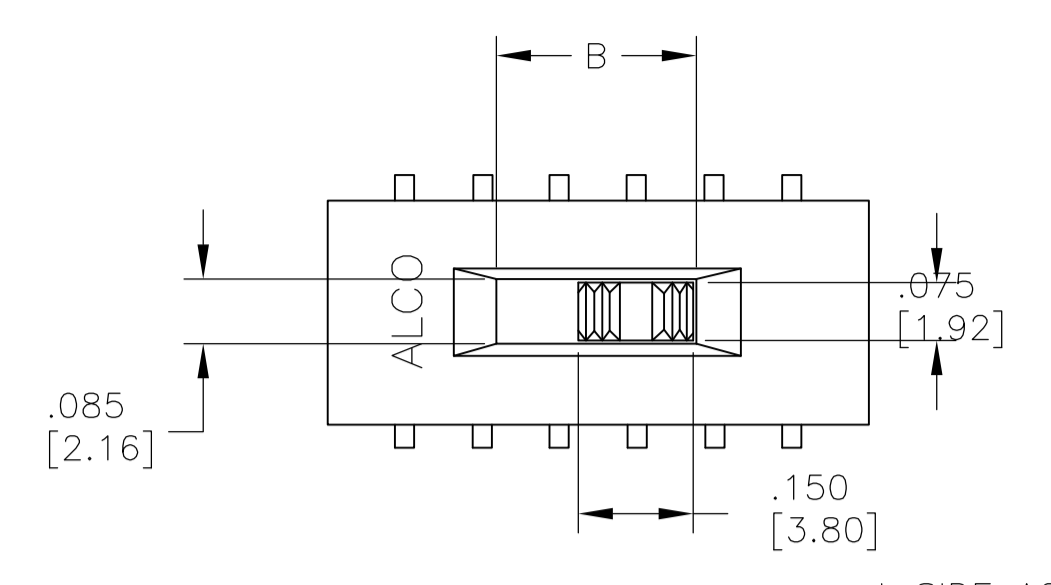
THIS DRAWING IS A CONTROLLED DOCUMENT. **STE** TE Connectivity

DIMENSIONS: INCHES [mm]  
 0 PLC ± -  
 1 PLC ± -  
 2 PLC ± -  
 3 PLC ± 0.10(0.25)  
 4 PLC ± ± 1°  
 ANGLES

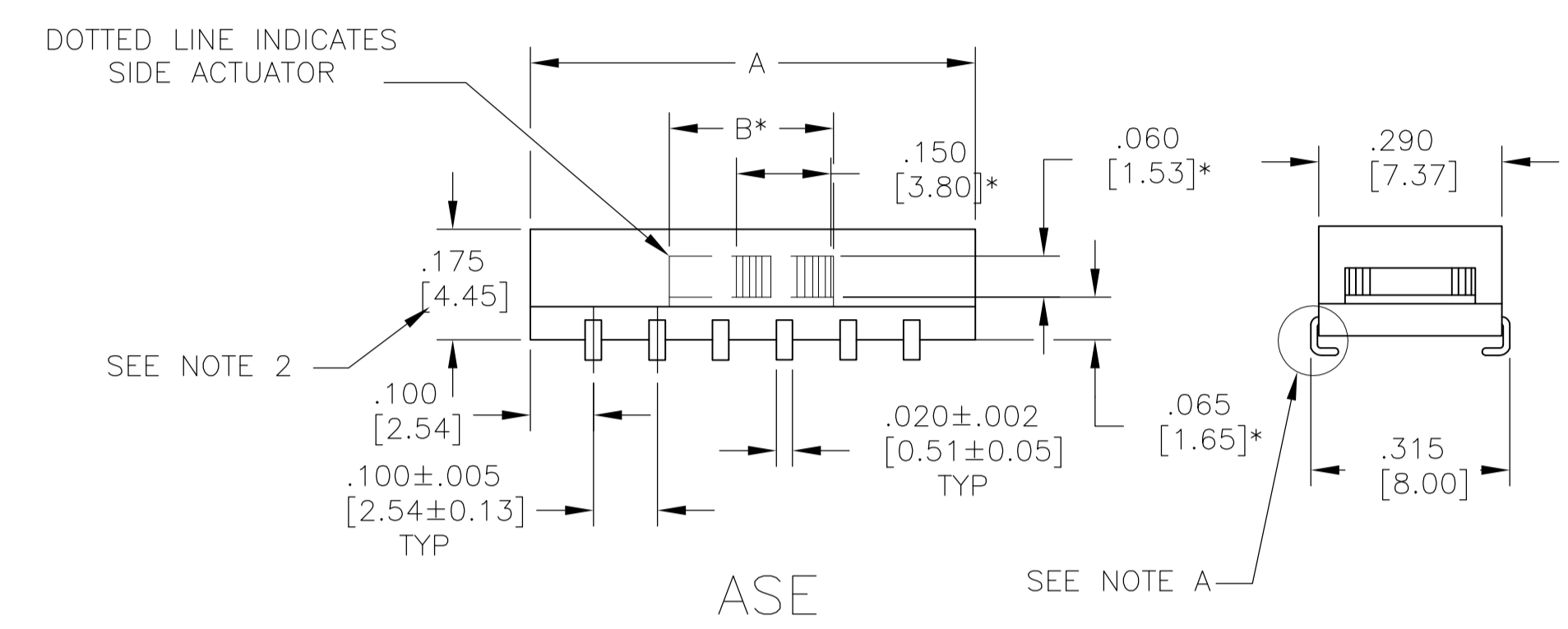
TOLERANCES UNLESS OTHERWISE SPECIFIED:  
 FINISH: -

MATERIAL: SEE SPECIFICATIONS  
 WEIGHT: -  
 CUSTOMER DRAWING: -

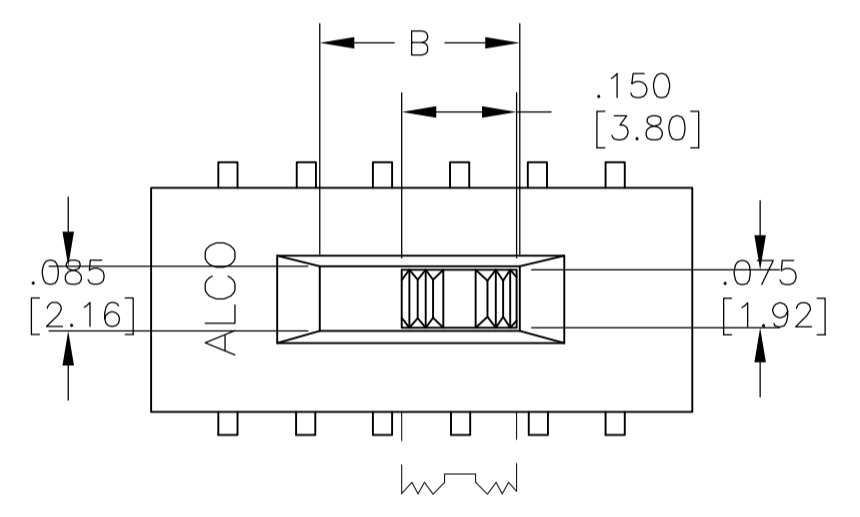
BIN M. BINNER 12JAN04  
 NAME: SLIDE SWITCH ASE/ASF, AUTO-INSERTABLE, THRU-HOLE AND SURFACE MOUNT  
 SIZE: A1  
 CASE CODE: 00779  
 DRAWING NO: 1437581-2  
 RESTRICTED TO: -  
 SCALE: 4:1  
 SHEET: 1 OF 2  
 REV: K2



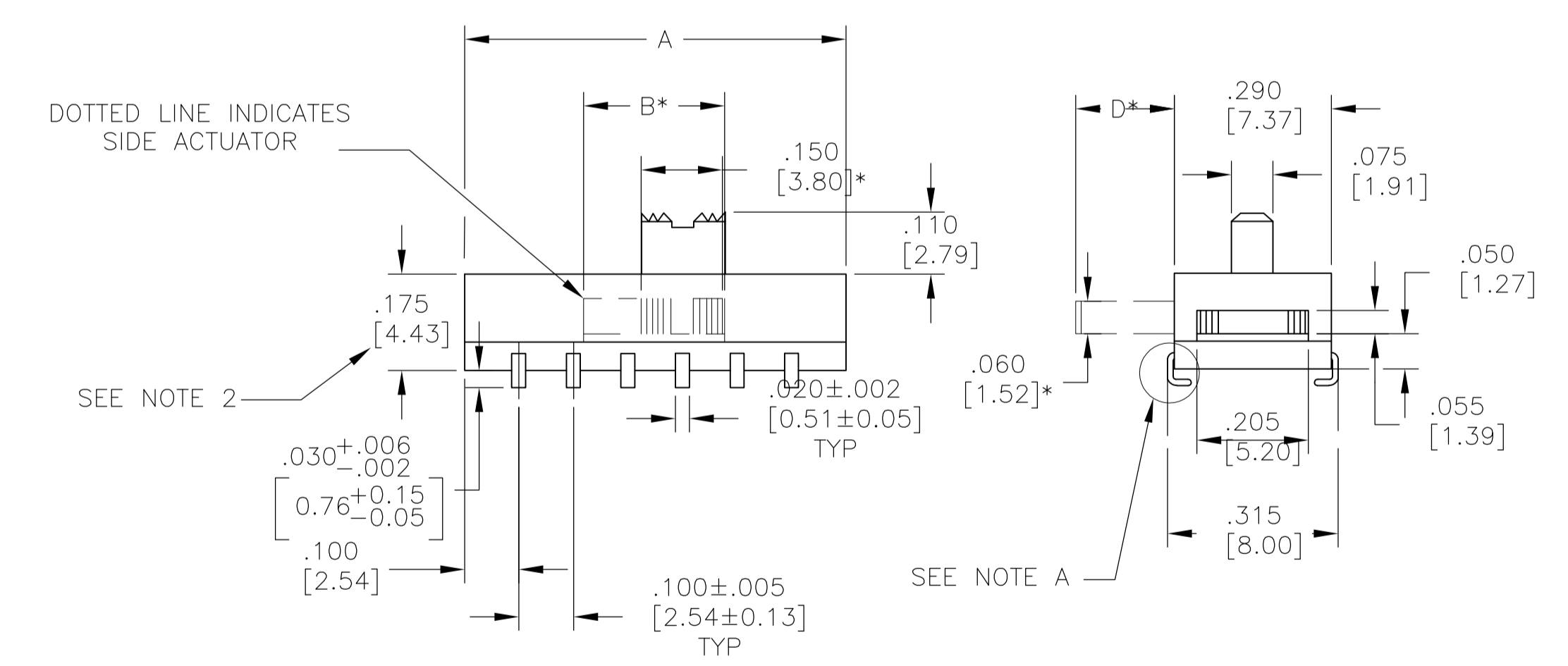
\* SIDE ACTUATOR ONLY.



ASE

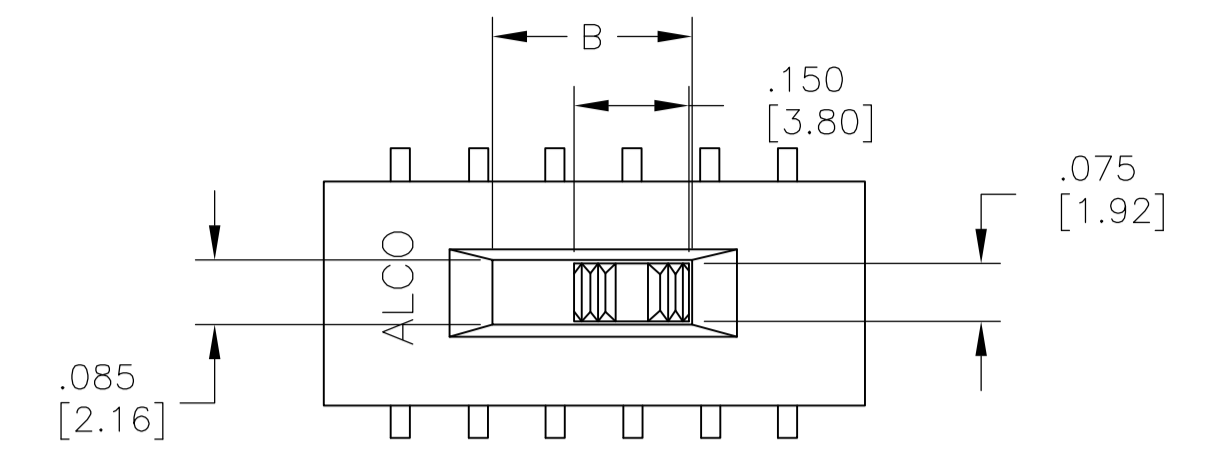


\* SIDE ACTUATOR ONLY.

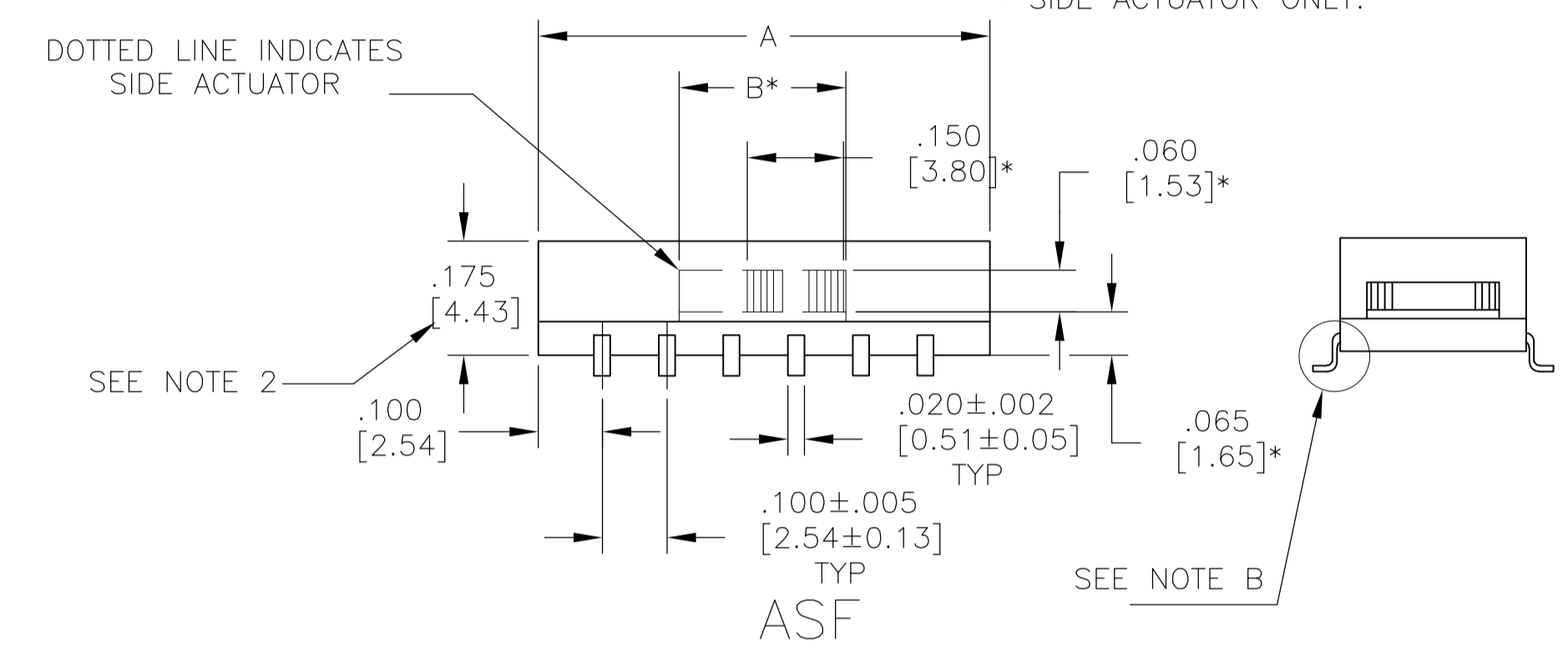


ASE

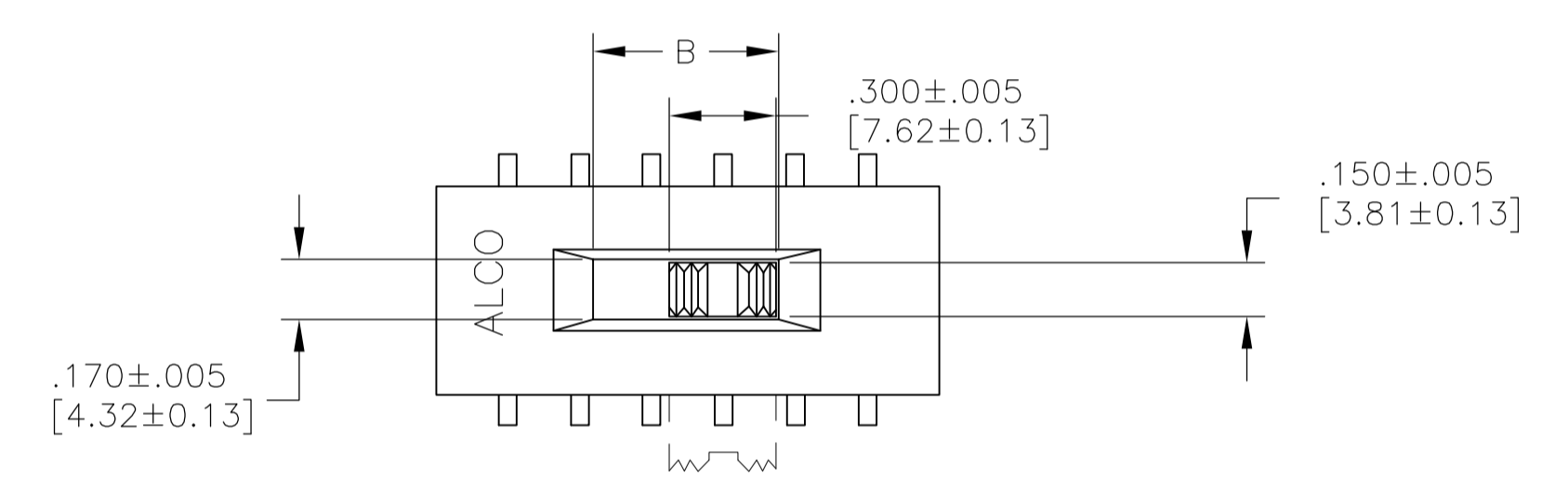
REVERSE "L" TYPE SURFACE MOUNT



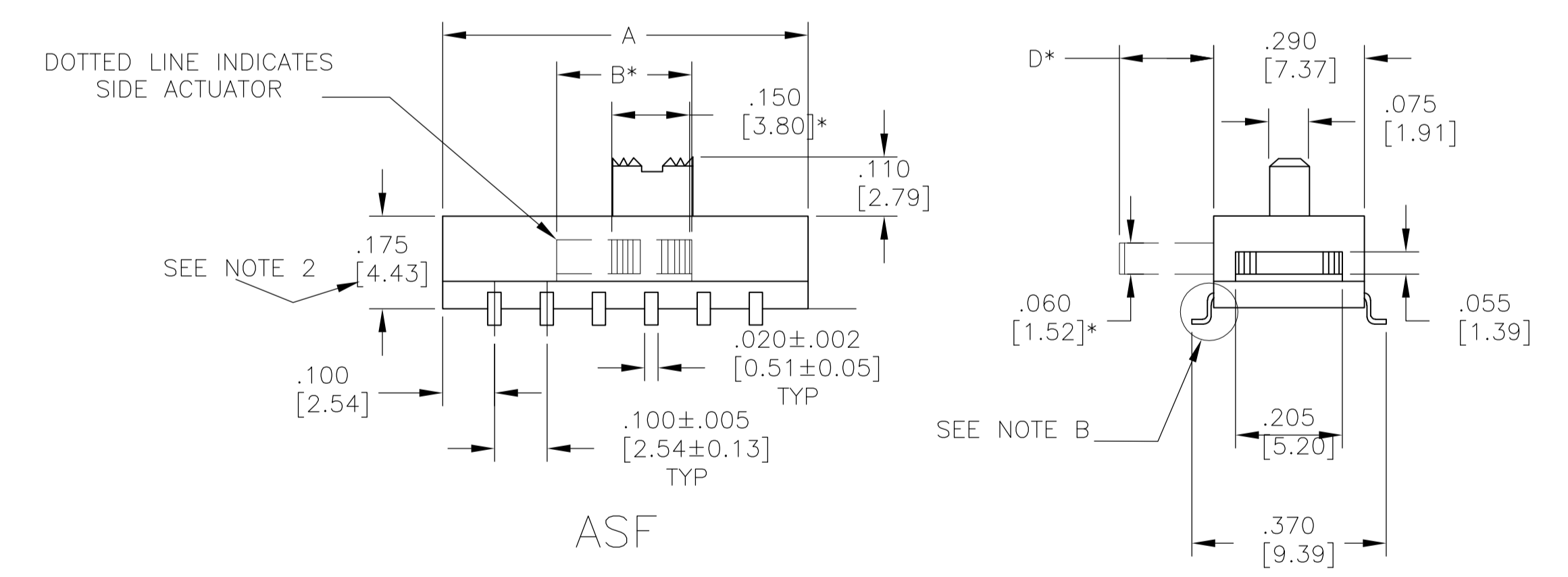
\* SIDE ACTUATOR ONLY.



ASF

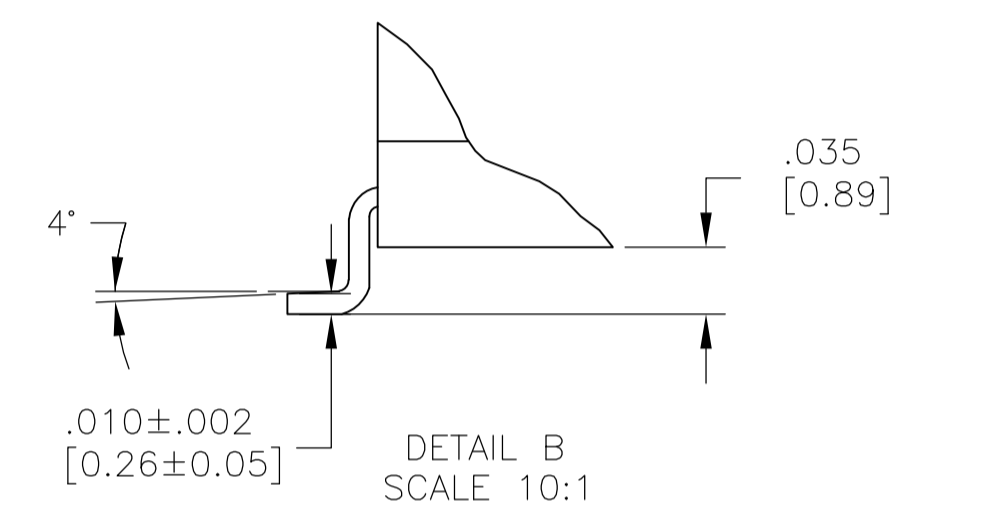
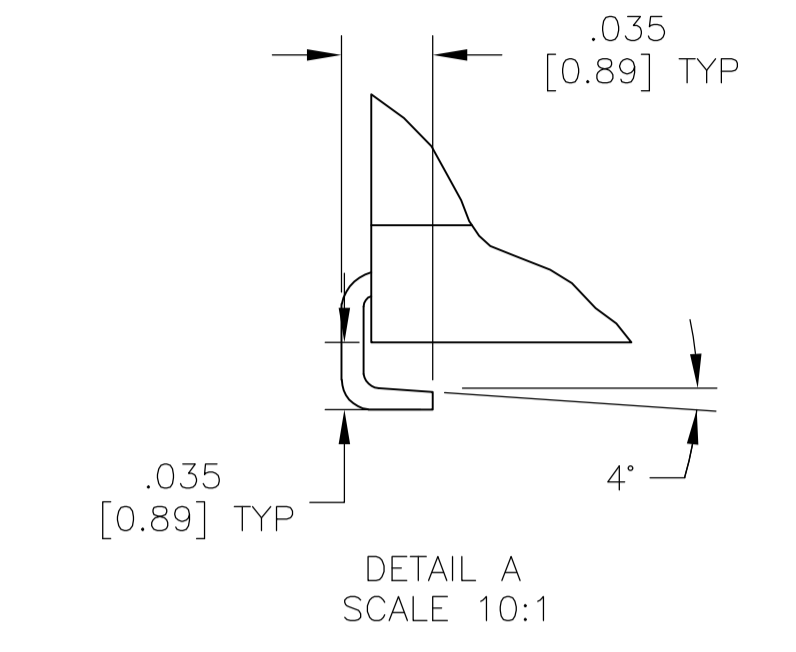


\* SIDE ACTUATOR ONLY.



ASF

"L" TYPE SURFACE MOUNT



THIS DRAWING IS A CONTROLLED DOCUMENT.		DIN	M. BINNER	12JAN04	 TE Connectivity
DIMENSIONS: INCHES [mm]		CHK			
TOLERANCES UNLESS OTHERWISE SPECIFIED:		APVD			NAME
0. PLC	± .005	PRODUCT SPEC	SLIDE SWITCH ASE/ASF, AUTO-INSERTABLE, THRU-HOLE AND SURFACE MOUNT		
1. PLC	± .002	APPLICATION SPEC			
2. PLC	± .001	SIZE	CAGE CODE	DRAWING NO.	RESTRICTED TO
3. PLC	± .010(0.25)	WEIGHT	A1	00779	1437581-2
4. PLC	± .010	CUSTOMER DRAWING	SCALE 4:1 SHEET 2 OF 2 REV K2		
MATERIAL SEE SPECIFICATIONS	FINISH				