



Chipsmall Limited consists of a professional team with an average of over 10 year of expertise in the distribution of electronic components. Based in Hongkong, we have already established firm and mutual-benefit business relationships with customers from,Europe,America and south Asia,supplying obsolete and hard-to-find components to meet their specific needs.

With the principle of “Quality Parts,Customers Priority,Honest Operation,and Considerate Service”,our business mainly focus on the distribution of electronic components. Line cards we deal with include Microchip,ALPS,ROHM,Xilinx,Pulse,ON,Everlight and Freescale. Main products comprise IC,Modules,Potentiometer,IC Socket,Relay,Connector.Our parts cover such applications as commercial,industrial, and automotives areas.

We are looking forward to setting up business relationship with you and hope to provide you with the best service and solution. Let us make a better world for our industry!



## Contact us

Tel: +86-755-8981 8866 Fax: +86-755-8427 6832

Email & Skype: info@chipsmall.com Web: www.chipsmall.com

Address: A1208, Overseas Decoration Building, #122 Zhenhua RD., Futian, Shenzhen, China



# ASGTX Evaluation Board

ASGTX-Eval

Moisture Sensitivity Level – N/A



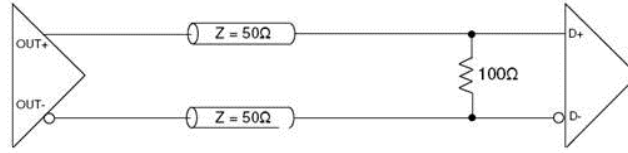
RoHS/RoHS II compliant



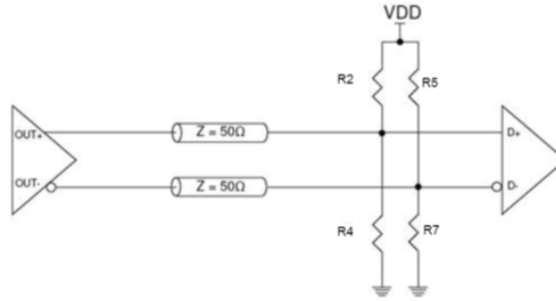
37.56 x 42.66mm

## DESCRIPTION:

ASGTX Evaluation boards are designed to facilitate engineering evaluation of the ASGTX series of high frequency VCTCXO's. These boards are pre-configured to test the ASGTX oscillator with an LVDS output. As shown in section-6 (schematic), R8 is pre-populated with a 100Ω resistor.



Further, to complete the path to the SMA output connectors, R3 & R6 are populated with 0Ω resistors. To test the **LVCMOS** output, simply remove R8 and monitor the output at OUT SMA Connector. To test the **LVPECL** output, simply remove R8, and solder down the following resistors as a function of the supply voltage, VDD.

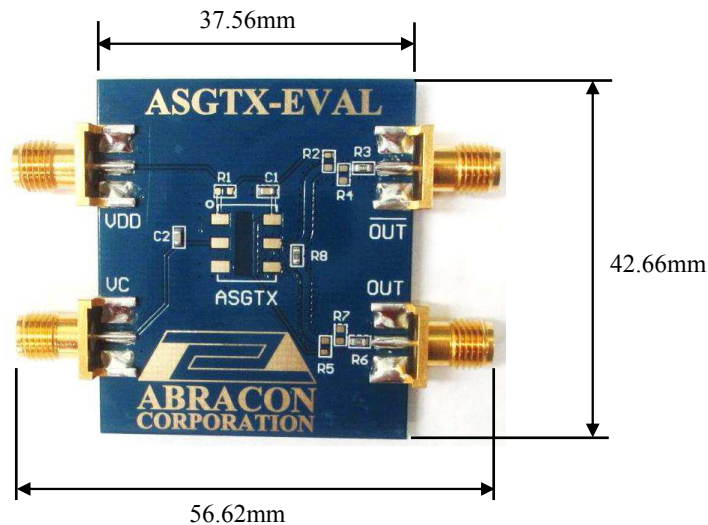


VDD	R2	R4	R5	R7
3.3V	133Ω	82Ω	133Ω	82Ω
2.5V	250 Ω	62.5 Ω	250 Ω	62.5 Ω

## OPTIONS AND PART IDENTIFICATION

**ASGTX-EVAL**

## OUTLINE DIMENSIONS



ABRACON IS  
ISO9001:2008  
CERTIFIED



2 Faraday, Suite# B | Irvine | CA 92618 **Revised: 01.23.15**

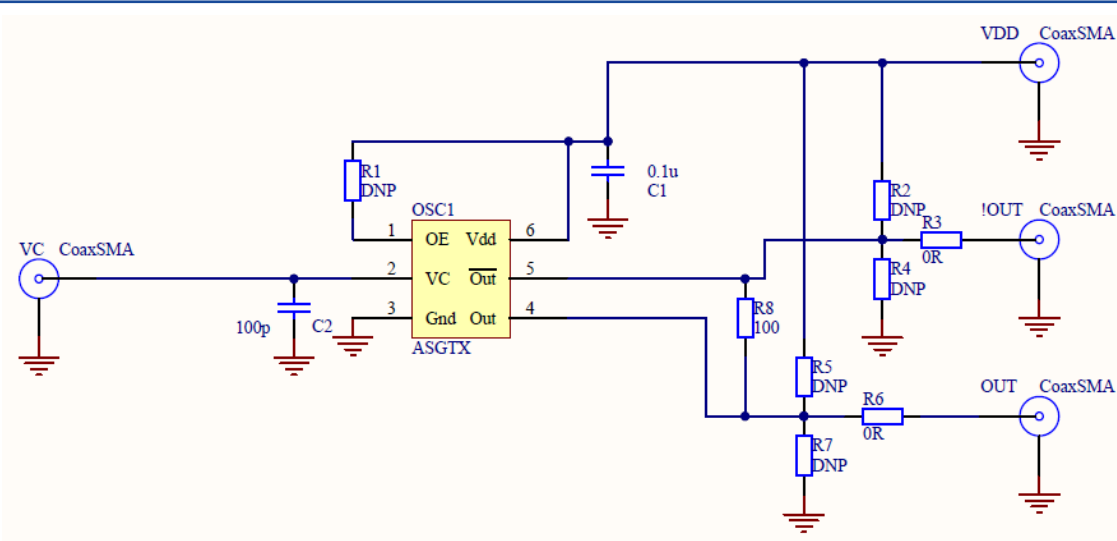
Ph. 949.546.8000 | Fax. 949.546.8001

Visit [www.abracon.com](http://www.abracon.com) for Terms and Conditions of Sale

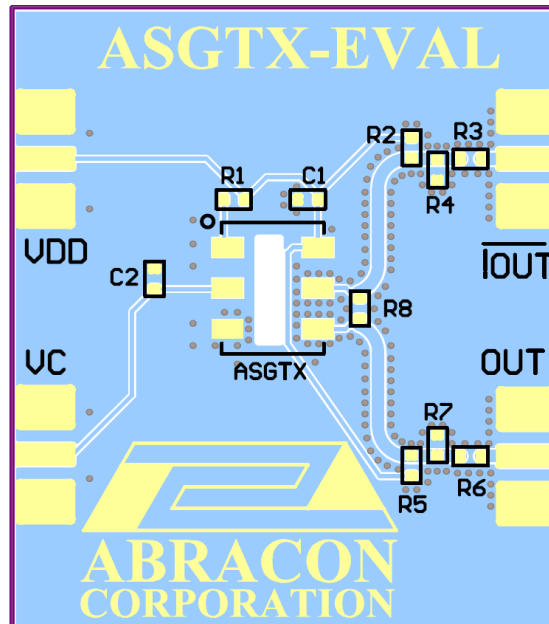




### SCHEMATIC



### LAYOUT



**ATTENTION:** Abracon Corporation's products are COTS – Commercial-Off-The-Shelf products; suitable for Commercial, Industrial and, where designated, Automotive Applications. Abracon's products are not specifically designed for Military, Aviation, Aerospace, Life-dependant Medical applications or any application requiring high reliability where component failure could result in loss of life and/or property. For applications requiring high reliability and/or presenting an extreme operating environment, written consent and authorization from Abracon Corporation is required. Please contact Abracon Corporation for more information.

