



Chipsmall Limited consists of a professional team with an average of over 10 year of expertise in the distribution of electronic components. Based in Hongkong, we have already established firm and mutual-benefit business relationships with customers from,Europe,America and south Asia,supplying obsolete and hard-to-find components to meet their specific needs.

With the principle of “Quality Parts,Customers Priority,Honest Operation,and Considerate Service”,our business mainly focus on the distribution of electronic components. Line cards we deal with include Microchip,ALPS,ROHM,Xilinx,Pulse,ON,Everlight and Freescale. Main products comprise IC,Modules,Potentiometer,IC Socket,Relay,Connector.Our parts cover such applications as commercial,industrial, and automotives areas.

We are looking forward to setting up business relationship with you and hope to provide you with the best service and solution. Let us make a better world for our industry!



## Contact us

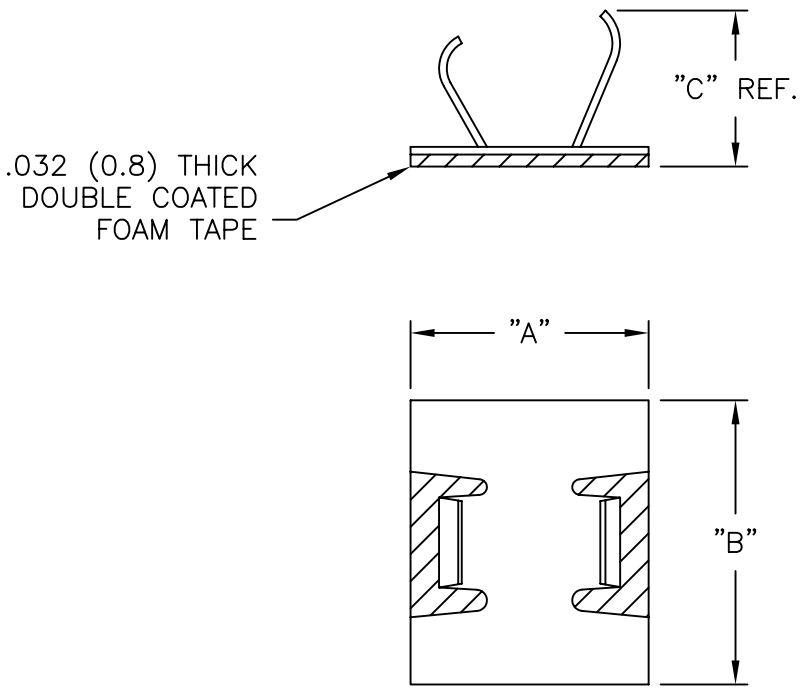
Tel: +86-755-8981 8866 Fax: +86-755-8427 6832

Email & Skype: info@chipsmall.com Web: www.chipsmall.com

Address: A1208, Overseas Decoration Building, #122 Zhenhua RD., Futian, Shenzhen, China



PART NO.	"A"	"B"	"C" REF.	MAX. BUNDLE DIA.
ASK-3	.44 (11.3)	.66 (16.8)	3/8 (9.5)	15/64 (6.0)
ASK-6	.62 (15.7)	.74 (18.8)	9/16 (14.3)	3/8 (9.5)



- NOTES:
1. MATERIAL: ALUMINUM (RMS-194); BRIGHT FINISH
  2. COLOR: SILVER.
  3. POLYURETHANE ADHESIVE TAPE (RMS-99)

			TITLE: ALUMINUM STICKY KLIP					DWG IN IN (MM)			
E	SEE ECN #1254 FOR CHANGES	SK 11.29.06	TOLERANCES UNLESS NOTED .XX=±.010 .XXX=±.005 FRAC=±1/64 ANG=±1°	FILE # ASK	DWN: P.B.	APP:	FINAL				
D	SEE ECN #932 FOR CHANGES	SK 02.01.05		MAT'L: ALUMINUM	DT: 06-19-95	DT:	PART #				
C	CHANGED FILE NO.	SM 03.22.02		RE: RICHCO, INC.	RICHCO INC.		SEE TABLE		PRINT TYPE		
B	TAPE CHANGED TO (RMS-99)	J.L. 11.4.98		PO BOX 804238, CHICAGO, 60680						CA	
A	DIM 15/64 (6.0) WAS 15/64 (5.9)	PB 08.17.95		(773) 539-4060							
REV	DESCRIPTION	ENGR DATE									