



Chipsmall Limited consists of a professional team with an average of over 10 year of expertise in the distribution of electronic components. Based in Hongkong, we have already established firm and mutual-benefit business relationships with customers from,Europe,America and south Asia,supplying obsolete and hard-to-find components to meet their specific needs.

With the principle of “Quality Parts,Customers Priority,Honest Operation,and Considerate Service”,our business mainly focus on the distribution of electronic components. Line cards we deal with include Microchip,ALPS,ROHM,Xilinx,Pulse,ON,Everlight and Freescale. Main products comprise IC,Modules,Potentiometer,IC Socket,Relay,Connector.Our parts cover such applications as commercial,industrial, and automotives areas.

We are looking forward to setting up business relationship with you and hope to provide you with the best service and solution. Let us make a better world for our industry!



## Contact us

Tel: +86-755-8981 8866 Fax: +86-755-8427 6832

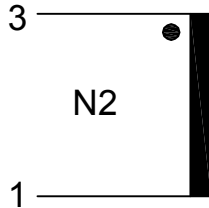
Email & Skype: info@chipsmall.com Web: www.chipsmall.com

Address: A1208, Overseas Decoration Building, #122 Zhenhua RD., Futian, Shenzhen, China



Product Type	Current transformer 10A
AMGIS Part Number	ASM-010
Customer Part Number	
Customer	

**SCHEMATIC:**



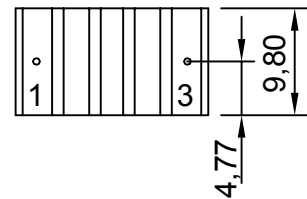
**ELECTRICAL SPECIFICATION:**

- Rated input current : 1 - 10 Amps
- Primary to Secondary isolation : 2500VAC
- Operating frequency : 50 / 60Hz
- Operating temperature range : -40°C to +120°C

**LOAD TEST DETAILS:**

$I_p=10A$   
 $R_L=50\Omega$   
 $U_s=33.3mV\pm 10\%$

**MECHANICAL DIMENSIONS:**

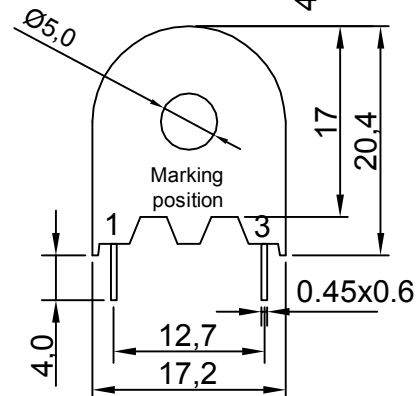


**MARKING INFORMATION:**

AMGIS  
 YY/Wk code ASM-010

**Trafo Weight:**

0.005Kg/pc



All dimensions are in mm  
 Linear dimensional tolerance  $\pm 0.2mm$

-----Issued-----	1	0	Anidha.K	04-Nov '10
Changes	Issue	Rev	Initial	Date