



Chipsmall Limited consists of a professional team with an average of over 10 year of expertise in the distribution of electronic components. Based in Hongkong, we have already established firm and mutual-benefit business relationships with customers from,Europe,America and south Asia,supplying obsolete and hard-to-find components to meet their specific needs.

With the principle of “Quality Parts,Customers Priority,Honest Operation,and Considerate Service”,our business mainly focus on the distribution of electronic components. Line cards we deal with include Microchip,ALPS,ROHM,Xilinx,Pulse,ON,Everlight and Freescale. Main products comprise IC,Modules,Potentiometer,IC Socket,Relay,Connector.Our parts cover such applications as commercial,industrial, and automotives areas.

We are looking forward to setting up business relationship with you and hope to provide you with the best service and solution. Let us make a better world for our industry!



## Contact us

Tel: +86-755-8981 8866 Fax: +86-755-8427 6832

Email & Skype: info@chipsmall.com Web: www.chipsmall.com

Address: A1208, Overseas Decoration Building, #122 Zhenhua RD., Futian, Shenzhen, China

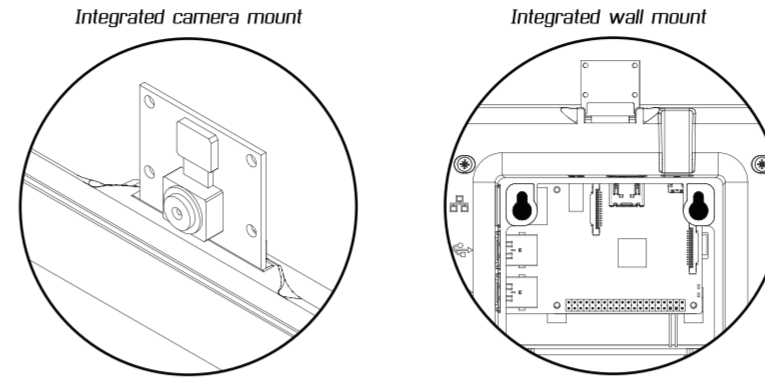
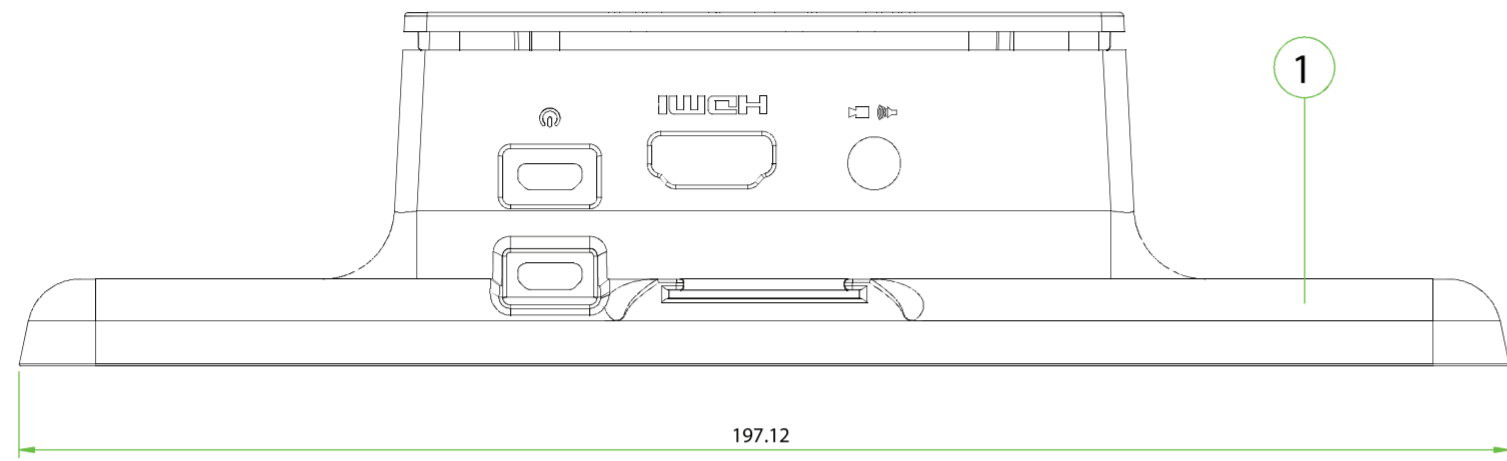


> MECHANICAL COMPONENTS ASSEMBLY <

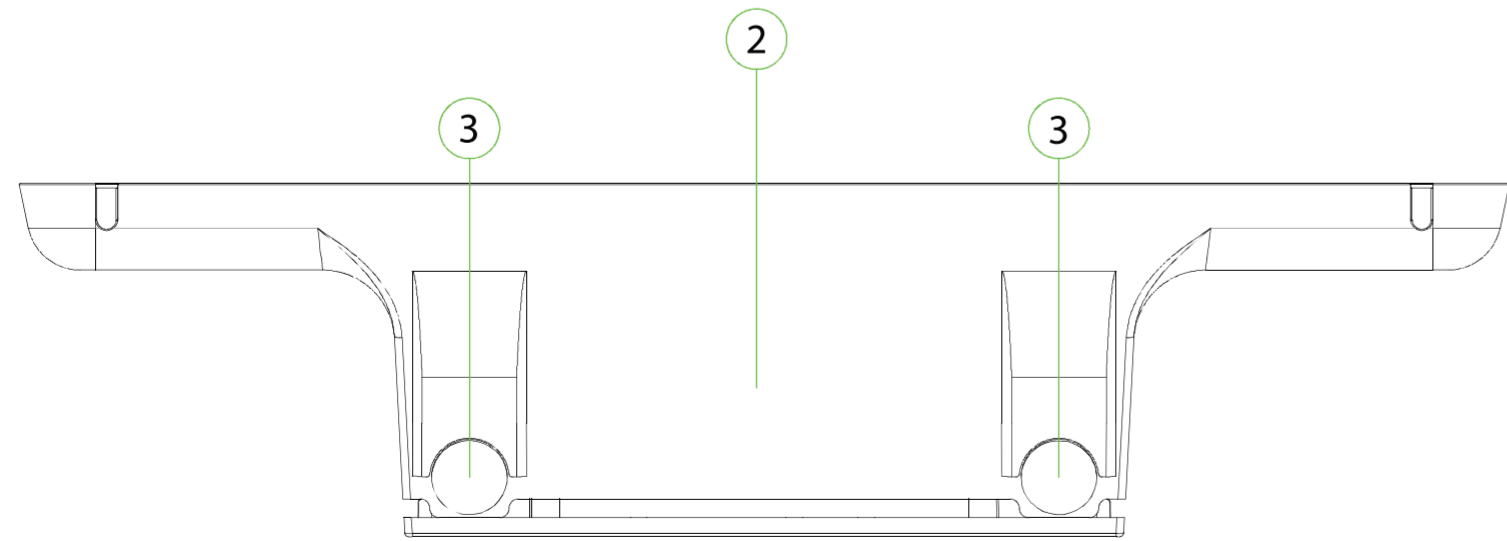
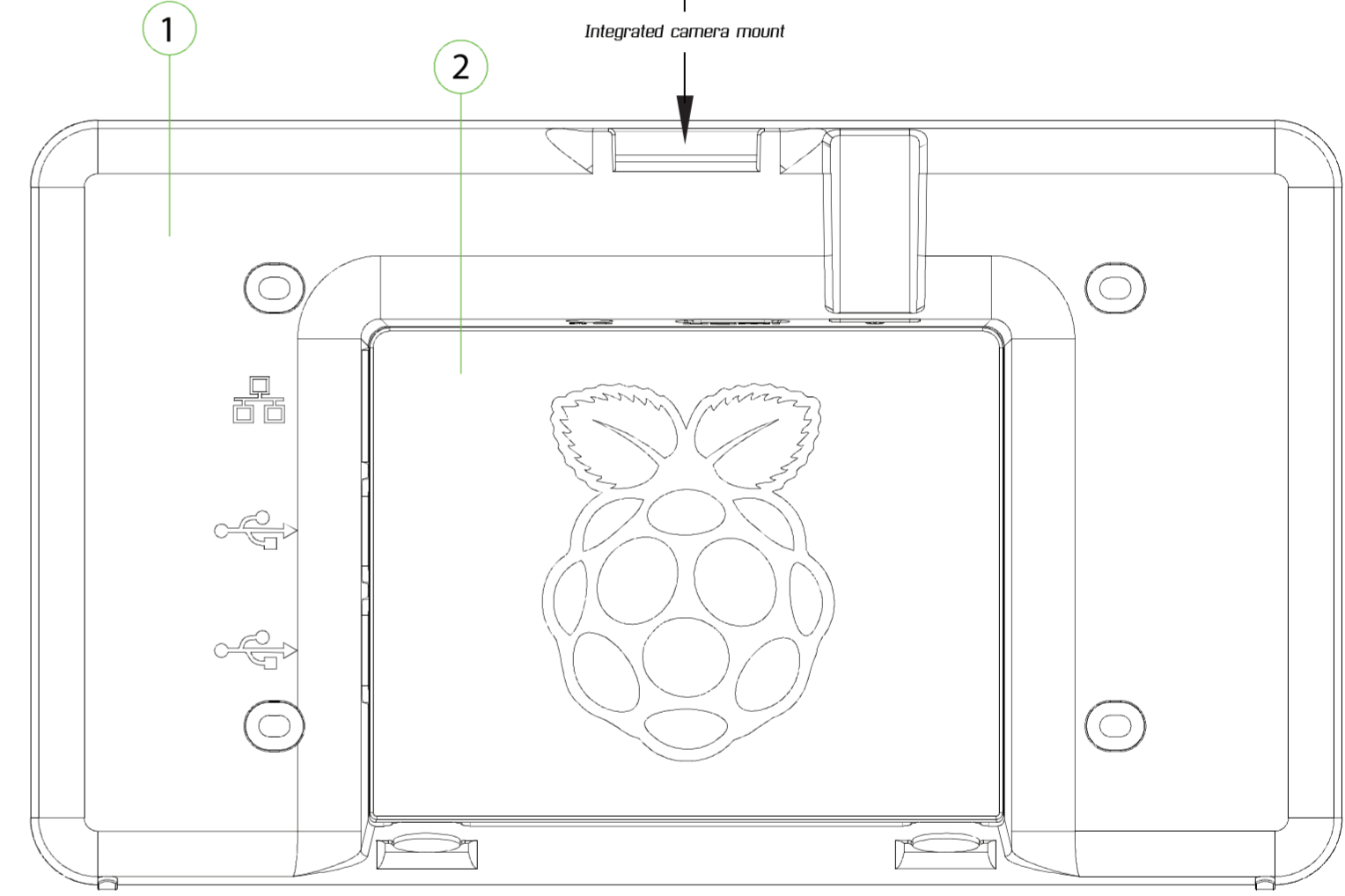
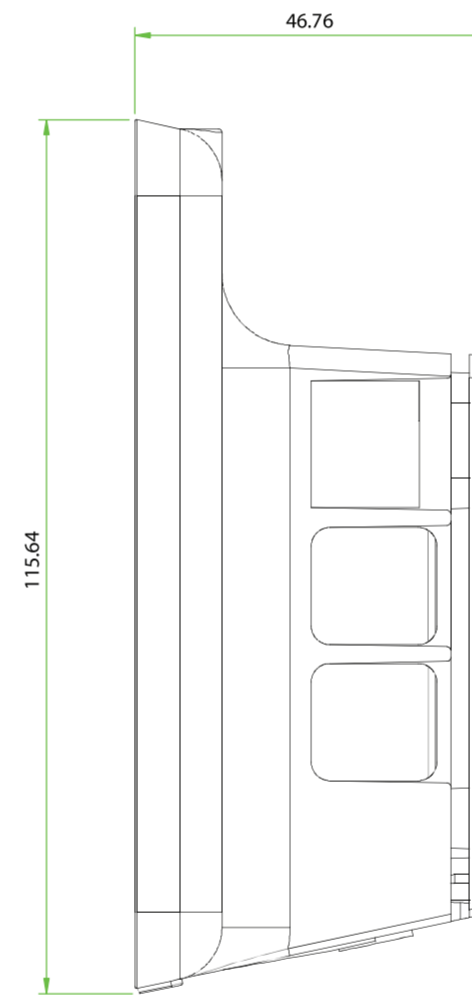
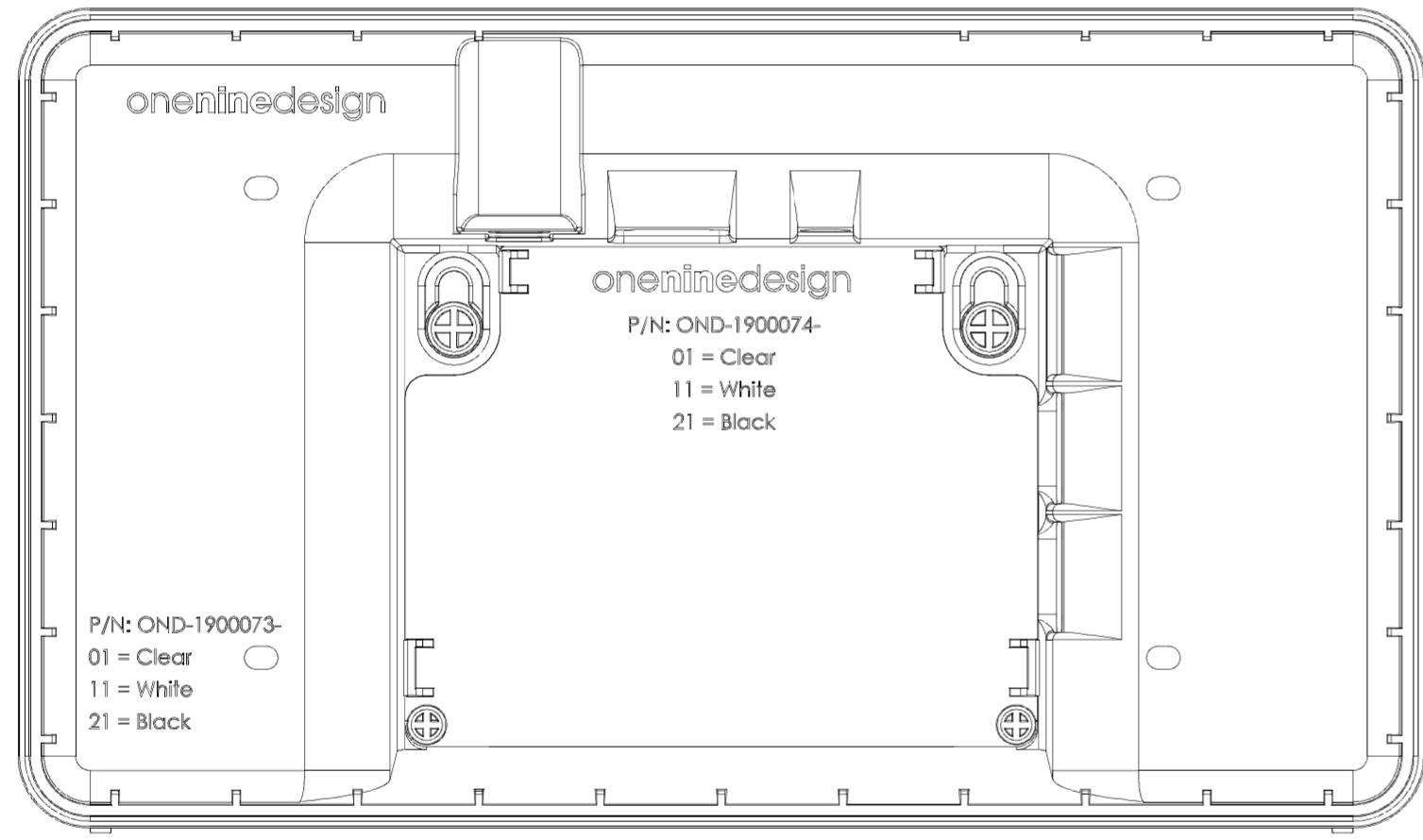
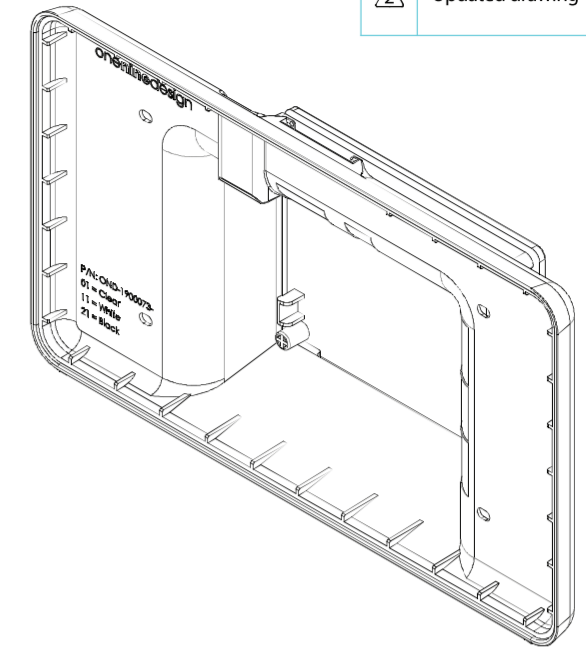
No.	Component Description	Qty	Part Number
1	Screen case moulding	1	OND-1900073-**
2	Rear cover moulding	1	OND-1900074-**
3	Adhesive rubber foot	2	OND-1900008-01

NOTE: \*\* The individual moulding colour will match the assembly colour suffix.

NO.	REVISION	DATE / SIGNED
⚠	Drawing release	09.11.15 OND
⚠	Updated drawing	22.01.16 OND



Note: Raspberry Pi . Touch screen . Pi-Camera are NOT included



Suffix	Component Description	Comment
-01	Case Assembly - Colour = CLEAR	
-11	Case Assembly - Colour = WHITE	
-21	Case Assembly - Colour = BLACK	

REFER TO 3D CAD DATA FOR TOOL MANUFACTURE

RoHS Compliant: Parts on this document must comply with the requirements and procedures specified in the RoHS compliant hand book - [www.rohs.gov.uk](http://www.rohs.gov.uk)

GENERAL TOLERANCE	
DIM'N	TOL. ±
0 → 6	0.08
7 → 30	0.1
31 → 120	0.2
121 → 300	0.3
301 → 600	0.4
601 → 1200	0.5

1	ASM-1900035- See Suffix table	TOUCH SCREEN CASE ASSEMBLY	RASPBERRY Pi	ABS UL94HB	REFER TO INDIVIDUAL COMPONENT DRAWING	
NO.	PART NO.	DESCRIPTION	MODEL NO.	MATERIAL	FINISH	QTY
OND 09.11.15	OND 09.11.15				THIRD	1

THIS DRAWING AND DESIGN ARE THE EXCLUSIVE PROPERTY OF ONE NINE DESIGN. THE DRAWING SHALL NOT BE COPIED OR COMMUNICATED IN ANY FORM WITHOUT PRIOR AUTHORITY FROM ONE NINE DESIGN. [www.oneninedesign.co.uk](http://www.oneninedesign.co.uk)

ALL DIMENSIONS IN mm UNLESS OTHERWISE STATED

SHEET 1 OF 1

**A2**

one nine design  
Cosmetic Design | Product Design | Mechanical Design  
Design management & Advice | Design for Manufacture