



Chipsmall Limited consists of a professional team with an average of over 10 year of expertise in the distribution of electronic components. Based in Hongkong, we have already established firm and mutual-benefit business relationships with customers from,Europe,America and south Asia,supplying obsolete and hard-to-find components to meet their specific needs.

With the principle of “Quality Parts,Customers Priority,Honest Operation,and Considerate Service”,our business mainly focus on the distribution of electronic components. Line cards we deal with include Microchip,ALPS,ROHM,Xilinx,Pulse,ON,Everlight and Freescale. Main products comprise IC,Modules,Potentiometer,IC Socket,Relay,Connector.Our parts cover such applications as commercial,industrial, and automotives areas.

We are looking forward to setting up business relationship with you and hope to provide you with the best service and solution. Let us make a better world for our industry!



Contact us

Tel: +86-755-8981 8866 Fax: +86-755-8427 6832

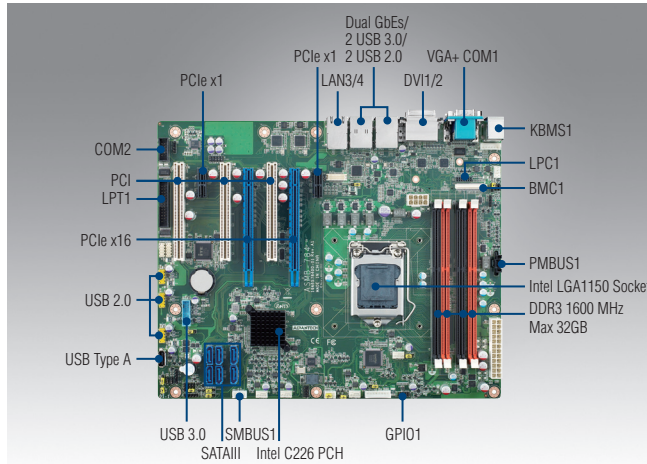
Email & Skype: info@chipsmall.com Web: www.chipsmall.com

Address: A1208, Overseas Decoration Building, #122 Zhenhua RD., Futian, Shenzhen, China



ASMB-784

LGA 1150 Intel® Xeon® E3 v3/ 4th Generation Core™ ATX Server Board with 2 PCIe x16 slots (x8 link), 3 PCI, USB 3.0, Quad/Dual LANs



Features

- Supports LGA 1150 Intel® Xeon® E3-1200 v3 and 4th Generation Core™ i7/i5/i3 processors
- DDR3 1600 MHz ECC/Non-ECC UDIMM up to 32GB
- One Gen 3.0 PCIe x16 link or two PCIe x16 slots with x8 link, two PCIe x1 and three PCI slots
- Rackmount optimized placement with positive air flow design
- Supports Intel vPro, AMT 9.0, IPMI (optional) and Embedded software APIs and utilities

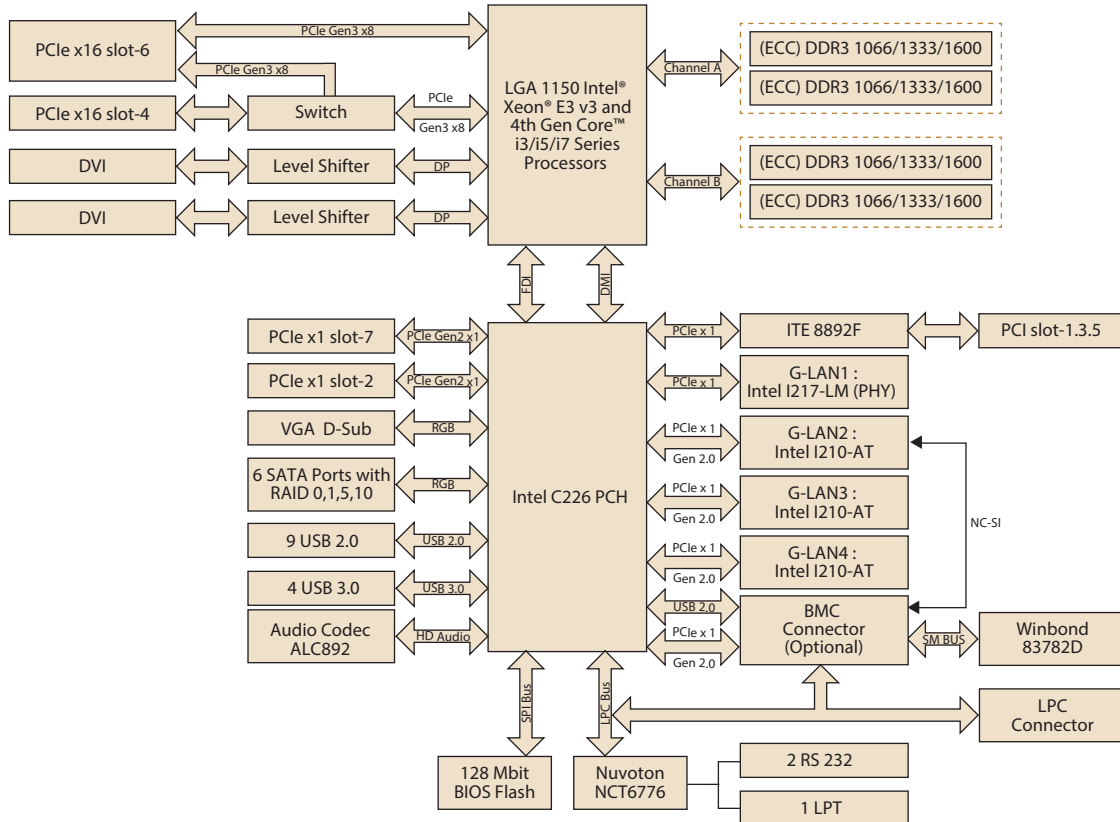


Specifications

Form Factor	ATX form factor						
Processor System	Socket	Intel LGA 1150					
	CPU type	Intel® Xeon® E3-1200 v3 and Core™ i3/i5/i7 series (TDP up to 88W)					
Core Logic	Chipset	Intel C226 chipset					
Memory	Total slots	4 (Dual Channel)					
	Max. capacity	32 GB					
	Memory type	DDR3 ECC/Non-ECC 1600/1333/1066 MHz UDIMM (240-pin)*					
	Memory size	1 GB, 2 GB, 4 GB, 8 GB					
Expansion Slots	Total PCI/PCI-X/PCIe slots	7					
	Slot location 1	PCI					
	Slot location 2	PCIe x1 slot (Gen2 x1 link)					
	Slot location 3	PCI					
	Slot location 4	PCI x16 slot (Gen3 x8 link)					
	Slot location 5	PCI					
	Slot location 6	PCI x16 slot (Gen3 x8 or x16 link)					
Graphics	Controller	Intel HD Graphics					
	VRAM	1 GB maximum shared memory with 2 GB and above system memory installed					
Storage	SATA controller	Intel C226: 6 SATA3 6 Gb/s ports with Intel Rapid Storage Technology support (for Windows only) (Supports software RAID 0, 1, 10 & 5)					
	SAS controller	-					
Networking	Interface	10/100/1000 Mbps					
	Controller	GbE LAN1: Intel I217-LM; GbE LAN 2-4: Intel I210-AT					
	Connector	RJ-45 x 2 for G2 version; RJ-45 x 4 for G4 version					
Onboard I/O Connectors	Printer Port connector	1					
	PSU connector	24-pin SSI power connector + 8-pin SSI 12V power connector					
	USB connector	2 USB 3.0; 7 USB 2.0 (1 x USB Type-A)					
	Fan header	5 (4-pin)					
	SMBus	2					
	Chassis intruder	1					
	Front LAN LED	2					
	Serial port header	1 (RS-232)					
	Audio Connector	1 (ALC 892)					
	PS/2 KB/Mouse	1					
Rear I/O Connectors	External serial port	1					
	External USB port	4 (2 USB 3.0 and 2 USB 2.0)					
	VGA port	1					
	DVI	2					
	Display Port	-					
	RJ-45	2 for G2 version. 4 for G4 version					
Watchdog Timer	Output	System reset					
	Interval	Programmable 1 ~ 255 sec					
Power Requirement	Power On	Intel® Xeon® E3-1275v3 3.5GHz; DDR3 8G x4					
		3.3 V	5 V	12 V	12V_8P	5 Vsb	-12 V
Environment	Operating	1.17A	2.30A	0.06A	4.33A	0.16A	0.01A
	Temperature	0 ~ 60 °C (32 ~ 140 °F)					Non-operating
	Humidity	Depends on CPU speed and cooler solution					-40 ~ 85 °C (-40 ~ 185 °F)
Physical Characteristics	Dimension (L x H)	304.8 x 244 mm (12" x 9.6")					

Memory ECC function enabled or not depends on processor support.

Block Diagram



Ordering Information

Part Number	Chipset	LAN	USB 3.0	DVI	SATAIII	IPMI
ASMB-784G2-00A1E	C226	2	4	2	6	Optional
ASMB-784G4-00A1E	C226	4	4	2	6	Optional

Packing List

Part Number	Description	Quantity
2066S78402	Driver CD	x 1
2006S78410	Startup manual	x 1
1700003194	SATA data cables	x 2
1700022749-11	SATA power cables	x 2
19Z0000502T000	I/O shield	x 1

Optional Accessories

Part Number	Description
1700002204	Dual port USB 2.0 cable (27 cm) with bracket
1700008461	Four port USB 2.0 cable (30.5 cm) with bracket
1960052651N021	LGA 1151/1150/1155 CPU cooler for 2U/4U and wallmount chassis (TDP up to 95W)
1960049408N001	LGA 1151/1150/1155 1U CPU Cooler (TDP up to 95W)
19Z0000747T000	1U I/O shield
1700008809	Printer port cable kit (25 cm)
1700020294-01	Printer port cable kit (42 cm)
1701090401	COM port cable with bracket (40 cm)
1700020277-01	Dual port USB 3.0 cable with bracket (30 cm)
1700007351	SATA cable L-type (for ACP-4320)
AIMB-AUDIO-HDA1E	HD Audio-Card
IPMI-1000-00A2E	IPMI 2.0 Module
968EMLSAP2	SUSIAccess Pro 3.0
PCA-TPM-00A1E	TPM Module with Infineon TPM 1.2 solution

I/O View



ASMB-784G2-00A1E



ASMB-784G4-00A1E

Note 1: To enable Intel vPro feature, PCA-TPM-00A1E must be installed.
 Note 2: Purchasing ASMB-784's proprietary CPU cooler from Advantech is a must. Other brands' CPU coolers are NOT compatible with ASMB-784.