



Chipsmall Limited consists of a professional team with an average of over 10 year of expertise in the distribution of electronic components. Based in Hongkong, we have already established firm and mutual-benefit business relationships with customers from,Europe,America and south Asia,supplying obsolete and hard-to-find components to meet their specific needs.

With the principle of “Quality Parts,Customers Priority,Honest Operation,and Considerate Service”,our business mainly focus on the distribution of electronic components. Line cards we deal with include Microchip,ALPS,ROHM,Xilinx,Pulse,ON,Everlight and Freescale. Main products comprise IC,Modules,Potentiometer,IC Socket,Relay,Connector.Our parts cover such applications as commercial,industrial, and automotives areas.

We are looking forward to setting up business relationship with you and hope to provide you with the best service and solution. Let us make a better world for our industry!



Contact us

Tel: +86-755-8981 8866 Fax: +86-755-8427 6832

Email & Skype: info@chipsmall.com Web: www.chipsmall.com

Address: A1208, Overseas Decoration Building, #122 Zhenhua RD., Futian, Shenzhen, China



SMD Multilayer Chip Inductor for Choke



2.0 x 1.25 x 0.85mm
/2.0 x 1.25 x 1.25mm

ASMCI-0805



RoHS
Compliant

FEATURES:

- Monolithic structure designed for high reliability
- Excellent solderability and heat resistance
- Magnetic shield designed to eliminate cross coupling
- High DC current and low DCR

APPLICATIONS:

Choke circuits in DC power line for PC, mobile phones, digital cameras, camcorder, and music players.

ELECTRICAL SPECIFICATIONS:

Operating Temperature: -40°C to +85°C

Storage Temperature: -10°C to +40°C, 70% RH max

Part Number ASMCI-0805- Inductance Code	Inductance	Tolerance	DCR	SRF Min.	Max. Rated Current	Tape and Reel Qty
Units	μH	%	Ω ± 30%	MHz	mA	
Symbol	L	M=±20%, N=±30%	DCR	SRF	Ir	
ASMCI-0805-R10	0.1	M, N	0.07	235	1000	4k
ASMCI-0805-R22	0.22	M, N	0.13	170	800	4k
ASMCI-0805-R47	0.47	M, N	0.18	125	550	4k
ASMCI-0805-1R0	1.0	M, N	0.20	75	300	4k
ASMCI-0805-2R2	2.2	M, N	0.28	50	220	4k
ASMCI-0805-4R7	4.7	M, N	0.30	25	180	4k
ASMCI-0805-100	10	M, N	0.50	15	60	3k

Test Conditions

- Ambient Temperature: 20± 15°C
- Relative Humidity: 65%±20%
- Air Pressure: 86KPa to 106KPa

Inductance (L): High Accuracy RF Impedance/Material Analyzer-HP4291B+HP16192A or Equivalent, 1MHz, -20dBm or 50mV.

Direct Current Resistance (DCR): High Accuracy Milliohmeter-HP4338B or Equivalent

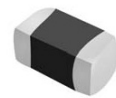
Self-Resonant Frequency (SRF): High Accuracy RF Impedance/Material Analyzer HP4291B+HP16192A or Equivalent, -20dBm or 50mV.

Rated current (Ir): HP6632B system DC power supply, HP4291B+HP16192A+HP16200A or equivalent.

Definition of Rated Current (Ir): Ir is the value of DC current as inductance L (μH) decreased just 50% against initial value.



SMD Multilayer Chip Inductor for Choke



2.0 x 1.25 x 0.85mm
/2.0 x 1.25 x 1.25mm

ASMCI-0805



RoHS
Compliant

PART IDENTIFICATIONS:

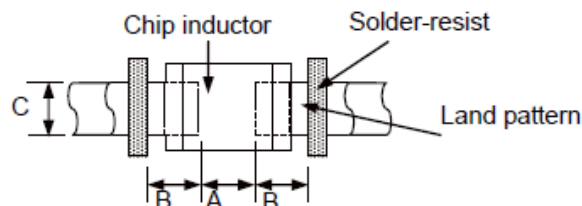
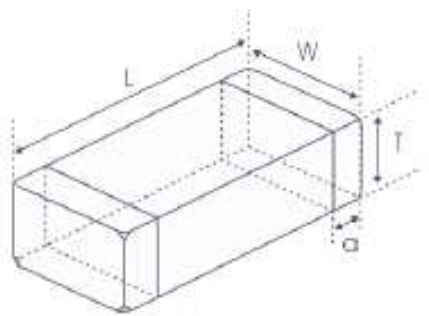
ASMCI-0805 - - -

Inductance Code
Please refer to the table above

Tolerance
M: ±20%
N: ±30%

Packaging
T: Tape and Reel
(4kpcs / reel for 0.1~4.7μH;
3kpcs / reel for 10μH)

OUTLINE DRAWING:



L	W	T	a
2.0 (+0.3, -0.1) [0.079 (+0.012, -0.004)]	1.25±0.2 [0.049±0.008]	0.85±0.2[0.033±0.008] for 0.1~4.7μH 1.25±0.2[0.049±0.008] for 10μH	0.5±0.3 [0.020±0.012]

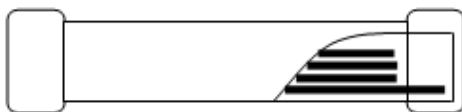
A	B	C
0.80~1.20	0.80~1.20	0.90~1.60

Dimension: mm [inch]

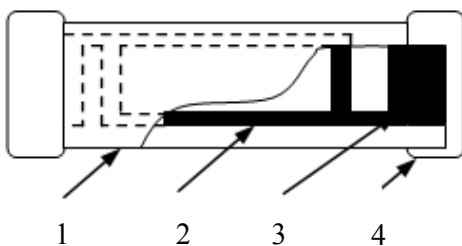
Dimension: mm

MATERIALS:

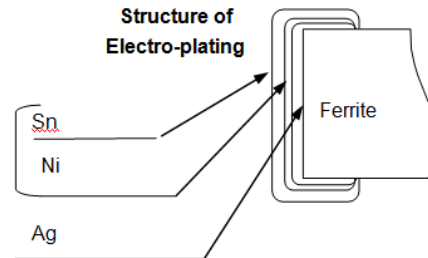
Side View



Top View



Structure of Electro-plating



	Part Name	Material
1	Base Material	Ferrite
2	Internal Conductor	Ag
3	Pull out Electrode	Ag
4	Terminal Electrode	Ag (Inner layer) Ni-Sn (Outer layer)

SMD Multilayer Chip Inductor for Choke



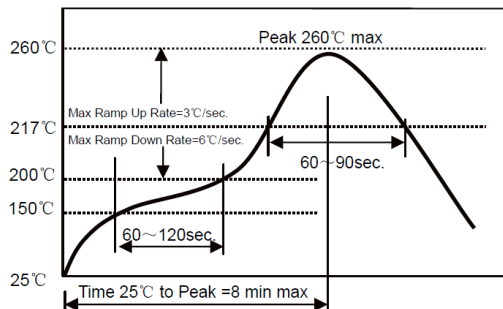
2.0 x 1.25 x 0.85mm
/2.0 x 1.25 x 1.25mm

ASMCI-0805



RoHS
Compliant

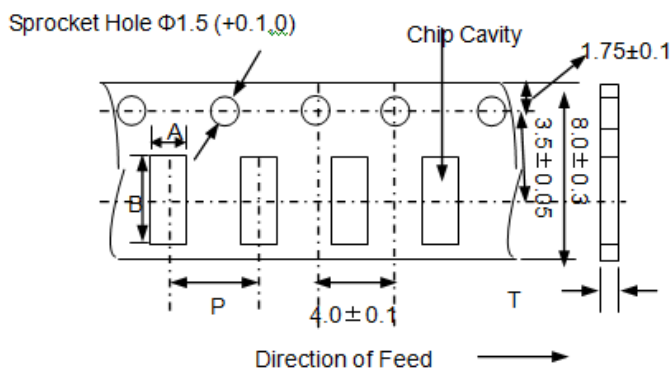
REFLOW PROFILE:



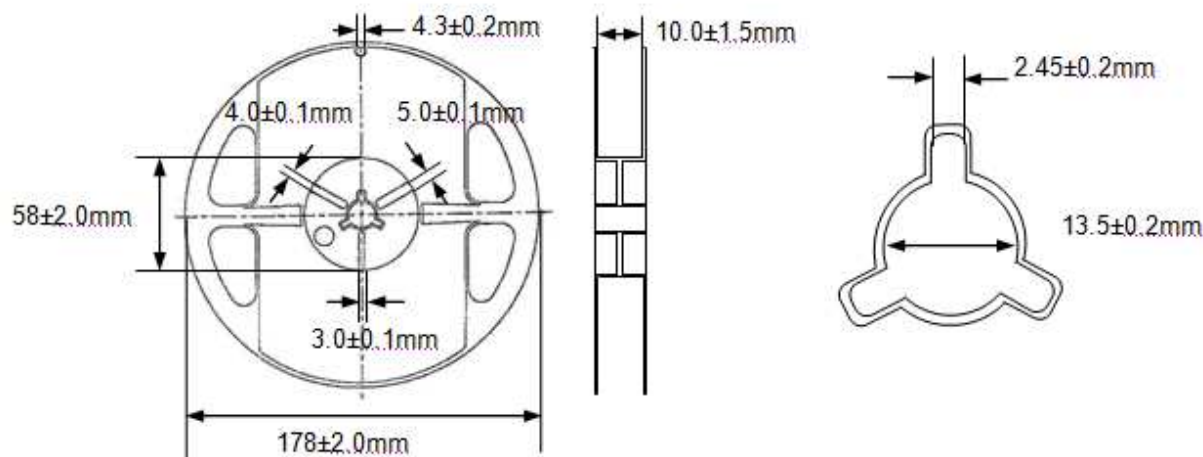
- Δ Preheat condition: 150 ~200°C /60~120sec.
- Δ Allowed time above 217°C: 60~90sec.
- Δ Max temp: 260°C
- Δ Max time at max temp: 10sec.
- Δ Solder paste: Sn/3.0Ag/0.5Cu
- Δ Allowed Reflow time: 2x max

TAPE & REEL:

T: 4,000pcs / reel for 0.1~4.7μH; 3,000pcs / reel for 10μH



A	B	P	T(max)
1.5 ± 0.2	2.3 ± 0.2	4.0 ± 0.1	1.1



Dimension: mm

ATTENTION: Abracon Corporation's products are COTS – Commercial-Off-The-Shelf products; suitable for Commercial, Industrial and, where designated, Automotive Applications. Abracon's products are not specifically designed for Military, Aviation, Aerospace, Life-dependant Medical applications or any application requiring high reliability where component failure could result in loss of life and/or property. For applications requiring high reliability and/or presenting an extreme operating environment, written consent and authorization from Abracon Corporation is required. Please contact Abracon Corporation for more information.

ABRACON IS
ISO 9001:2008
CERTIFIED



ABRACON
CORPORATION

Visit www.abracon.com for Terms & Conditions of Sale **Revised: 02.08.13**
30332 Esperanza, Rancho Santa Margarita, California 9268
tel 949-546-8000 | fax 949-546-8001 | www.abracon.com