



Chipsmall Limited consists of a professional team with an average of over 10 year of expertise in the distribution of electronic components. Based in Hongkong, we have already established firm and mutual-benefit business relationships with customers from,Europe,America and south Asia,supplying obsolete and hard-to-find components to meet their specific needs.

With the principle of “Quality Parts,Customers Priority,Honest Operation,and Considerate Service”,our business mainly focus on the distribution of electronic components. Line cards we deal with include Microchip,ALPS,ROHM,Xilinx,Pulse,ON,Everlight and Freescale. Main products comprise IC,Modules,Potentiometer,IC Socket,Relay,Connector.Our parts cover such applications as commercial,industrial, and automotives areas.

We are looking forward to setting up business relationship with you and hope to provide you with the best service and solution. Let us make a better world for our industry!



Contact us

Tel: +86-755-8981 8866 Fax: +86-755-8427 6832

Email & Skype: info@chipsmall.com Web: www.chipsmall.com

Address: A1208, Overseas Decoration Building, #122 Zhenhua RD., Futian, Shenzhen, China



RF Cable Assembly Product Guide

Siretta RF cable assemblies are generally used as an extension to connect two devices in RF signal transmission - typically a wireless module and antenna.

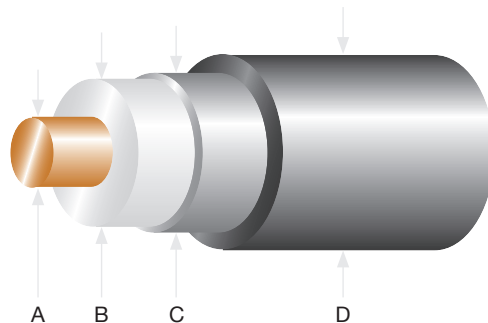
Each RF cable assembly is 100% signal continuity tested; in process and at completion. Our on-going quality control inspection guarantees every customer will receive the ultimate in quality cables.

RF Cable Specifications

Cable Type	Connector types	Min Bend Radius (mm)	Diameter (mm)				Insulator Material	Jacket Material	Loss dB/M @ 2GHz	Frequency Range	Comments
			A Core	B Insulator	C Shield	D Jacket					
0.81mm	u.FL, IPEX	3.24	0.15	0.4	0.65	0.81	PFA	PFA	4.4	to 6GHz	Internal antenna pigtailed
1.13mm	u.FL, IPEX, SMA, FME, SMB, TNC, MMCX	4.5	0.24	0.68	0.9	1.13	FEP	FEP	3.2	to 6GHz	Most popular cable for internal use. Internal antenna pigtailed, internal to bulkhead connector cable.
RG178	IPEX, MMCX, MCX, SMA, FME	9	0.31	0.86		1.8	FEP	FEP	2.6 @1.8GHz	to 6GHz	
RG174	SMA, SMB, MMCX, MCX, FME, TNC	10.5	0.48	1.55		2.7	XLPE	PVC	1.175 @1GHz	to 6GHz	This is the most popular cable for GPS and GSM antennas. Low temp spec.
RG58	SMA, SMB, TNC, N-Type	20	19 x 0.18	2.95		4.95	PE	PVC	1.06 @2.4GHz	to 6GHz	Standard RF cable for outside use.

Low Loss Cables

LLC100A	SMA, SMB, MMCX, MCX, FME, TNC	6.4	0.46	1.52	2.11	2.79	Solid PE	PVC	1.15	to 6GHz	Low loss version of RG174 and much more flexible
LLC200A	SMA, SMB, TNC, N-Type	20	10.2	2.9	3.4	5	Foam PE	PVC	0.15 @200MHz	to 6GHz	Low loss version of the standard RG58.



FEP	Fluorinated Ethylene Propylene
PE	Polyethylene
PFA	Perfluoroalkoxy
PTFE	Polytetrafluoroethylene
PVC	Poly Vinyl Chloride
XLPE	Cross Linked Poly Ethylene

u.FL and IPEX Connectors:

u.FL	Four types depending on cable size.
IPEX	There are 4 sizes - MHF, MHF2, MHF3, MHF4 (smallest). Dictated by cable size. Std is MHF 2.5mm height.

See reverse for part numbering nomenclature.

Siretta RF Cable Assembly Part Numbering

XXX	X/XX	XXXX	X/XX	XXXX	XX
Cable Part Number	Connector 1	Cable Length	Connector 2	Cable Type	In House Use
ASM = Siretta Cable Assembly Parts	A = SMA Male B = SMA Female C = SMA Male RP D = SMA Female RP E = FME Male F = FME Female G = uFL H = Stripped and Tinned K = MMCX Male RA L = MMCX Male M = SMB Female N = N Type Female R = N Type Male S = SMA Male RA T = MCX V = Fakra Red W = Fakra Blue X = SMA Female Bulkhead Y = FME Male Bulkhead ZA = TNC Female Bulkhead ZB = TNC Female ZE = SMB Male Bulkhead ZF = SMB Female Bulkhead ZG = TNC Male ZL = SMB Female RA ZM = MMCX Female ZN = SMA Female Bulkhead RP ZS = Fakra Red Bulkhead ZU = TNC Male RP Bulkhead ZZ = SMB Male RA ZY = IPEX XΔ = SMA Female Bulkhead with O Ring	0000 = Length in cm	A = SMA Male B = SMA Female C = SMA Male RP D = SMA Female RP E = FME Male F = FME Female G = uFL H = Stripped and Tinned K = MMCX Male RA L = MMCX Male M = SMB Female N = N Type Female R = N Type Male S = SMA Male RA T = MCX V = Fakra Red W = Fakra Blue X = SMA Female Bulkhead Y = FME Male Bulkhead ZA = TNC Female Bulkhead ZB = TNC Female ZE = SMB Male Bulkhead ZF = SMB Female Bulkhead ZG = TNC Male ZL = SMB Female RA ZM = MMCX Female ZN = SMA Female Bulkhead RP ZS = Fakra Red Bulkhead ZU = TNC Male RP Bulkhead ZZ = SMB Male RA ZY = IPEX XΔ = SMA Female Bulkhead with O Ring	174S = RG174 Cable 058S = RG58 Cable 113S = 1.13mm Cable 174L = LLC100 Low Loss Cable 058L = LLC200 Low Loss Cable 081S = 0.81mm Cable 178S = RG178 Cable	XX = In House Use

Example: ASM A 050 X 174S 11 - SMA Male Connector to SMA Female Bulkhead Connector, 50cm RG174 Cable Assembly