



Chipsmall Limited consists of a professional team with an average of over 10 year of expertise in the distribution of electronic components. Based in Hongkong, we have already established firm and mutual-benefit business relationships with customers from,Europe,America and south Asia,supplying obsolete and hard-to-find components to meet their specific needs.

With the principle of “Quality Parts,Customers Priority,Honest Operation,and Considerate Service”,our business mainly focus on the distribution of electronic components. Line cards we deal with include Microchip,ALPS,ROHM,Xilinx,Pulse,ON,Everlight and Freescale. Main products comprise IC,Modules,Potentiometer,IC Socket,Relay,Connector.Our parts cover such applications as commercial,industrial, and automotives areas.

We are looking forward to setting up business relationship with you and hope to provide you with the best service and solution. Let us make a better world for our industry!



Contact us

Tel: +86-755-8981 8866 Fax: +86-755-8427 6832

Email & Skype: info@chipsmall.com Web: www.chipsmall.com

Address: A1208, Overseas Decoration Building, #122 Zhenhua RD., Futian, Shenzhen, China





ASP-AUTO-T

Restrike System for use with Electronic HID Ballasts

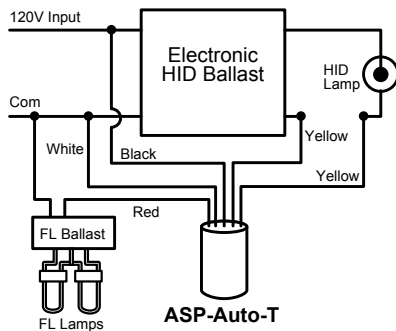
Features

- For use with electronic HID Ballasts and universal voltage (120-277V) fluorescent ballasts. (Not for use with magnetic ballasts)
- Compact and simple to wire
- Measures the current drawn by the HID circuit rather than voltage across the circuit allowing use with virtually any type of lamp or ballast circuit
- Operates on HID circuits from 39-450 watts
- Operates fluorescent systems up to 250W. Fluorescent Ballast must also be Universal Voltage to work with this system.
- Non-arcing switches allow the ASP-AUTO-T to be used in Class 1, Division II vapor tight fixtures
- High temperature, flameproof plastic enclosure, 90°C maximum surface temp rating
- Timed Version keeps Lamp illuminated for 2-3 minutes until HID lamp reaches 25-50% brightness
- Patented Design

The ASP-AUTO is a auxiliary lighting control that incorporates a current sense circuit that automatically drives a fluorescent ballast when the main HID lamp is extinguished. It has a built-in timer to keep the auxiliary lamp on for 2-3 minutes during the HID lamp warmup period.

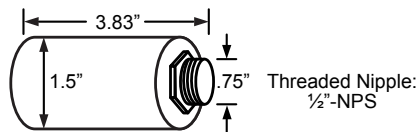


Wiring



Dimensions

12" leads, stripped 0.63"



★ MADE IN USA ★
Of Imported And Domestic Components



Specifications subject to change without notice.

Rev 7-15-14