



Chipsmall Limited consists of a professional team with an average of over 10 year of expertise in the distribution of electronic components. Based in Hongkong, we have already established firm and mutual-benefit business relationships with customers from,Europe,America and south Asia,supplying obsolete and hard-to-find components to meet their specific needs.

With the principle of "Quality Parts,Customers Priority,Honest Operation,and Considerate Service",our business mainly focus on the distribution of electronic components. Line cards we deal with include Microchip,ALPS,ROHM,Xilinx,Pulse,ON,Everlight and Freescale. Main products comprise IC,Modules,Potentiometer,IC Socket,Relay,Connector.Our parts cover such applications as commercial,industrial, and automotives areas.

We are looking forward to setting up business relationship with you and hope to provide you with the best service and solution. Let us make a better world for our industry!



Contact us

Tel: +86-755-8981 8866 Fax: +86-755-8427 6832

Email & Skype: info@chipsmall.com Web: www.chipsmall.com

Address: A1208, Overseas Decoration Building, #122 Zhenhua RD., Futian, Shenzhen, China



HOL-SEALERS™ HOLE SEALS



INDUSTRY STANDARDS

Steel Hole Seals

UL 508A Component Recognized; Type 3R, 4, 12, 13; File No. E61997

CSA File No. 42186; Type 3R, 4, 12, 13
 NEMA/EEMAC Type 3R, 4, 12, 13
 IEC 60529, IP66

Stainless Steel Hole Seals

UL 508A Component Recognized; Type 3R, 4, 4X, 12, 13; File No. E61997

CSA File No. 42186; Type 3R, 4, 4X, 12, 13
 NEMA/EEMAC Type 3R, 4, 4X, 12, 13
 IEC 60529, IP66

APPLICATION

Seal extra pushbutton holes, conduit openings and knockout openings against dust, dirt, oil and water with Hoffman HOL-SEALERS™. Seals will cover any size or shape of hole from .19-in. diameter to maximum diameter shown in table. Can be used on enclosure walls up to .31-in. (8-mm) thick.

FEATURES

- Available in multiple colors and sizes
- Oil-resistant gasket provided

SPECIFICATIONS

Steel Models

- 16 gauge galvanized steel backplate
- Plated stud (10-32x5/8) and wing nut

Stainless Steel Models

- 16 gauge stainless steel backplate
- Seal, backplate, stud (10-24x5/8) and wing nut are 300 series stainless steel

FINISH

Steel seals have polyester powder paint finish over galvanized front surface.

Stainless steel seals have polished front surface.

BULLETIN: A80HS

Standard Product

| Catalog Number | Material | Finish/Color | For | Maximum Hole Diameter in./mm | Hol-Sealer Diameter in./mm |
|----------------|-----------------|-----------------|--------------------------|---------------------------------|-------------------------------|
| AS056M | Steel | ANSI 61 gray | Micro | 0.56 14 | 0.80 20 |
| AS056MSS | Stainless Steel | Stainless Steel | Micro | 0.56 14 | 0.80 20 |
| AS056CB | Steel | Chrysler beige | Micro | 0.56 14 | 0.80 20 |
| AS056MFB | Steel | Ford brown | Micro | 0.56 14 | 0.80 20 |
| AS056MLG | Steel | Light gray | Micro | 0.56 14 | 0.80 20 |
| ASPBG | Steel | ANSI 61 gray | 22.5-mm pushbutton holes | 0.88 22 | 1.22 31 |
| ASPBGSS | Stainless Steel | Stainless Steel | 22.5-mm pushbutton holes | 0.88 22 | 1.22 31 |
| AS050 | Steel | ANSI 61 gray | 1/2-in. conduit holes | 0.88 22 | 1.38 35 |
| AS050LG | Steel | Light gray | 1/2-in. conduit holes | 0.88 22 | 1.38 35 |
| AS050SS | Stainless Steel | Stainless Steel | 1/2-in. conduit holes | 0.88 22 | 1.38 35 |
| AS075 | Steel | ANSI 61 gray | 3/4-in. conduit holes | 1.06 27 | 1.56 40 |
| AS075SS | Stainless Steel | Stainless Steel | 3/4-in. conduit holes | 1.06 27 | 1.56 40 |
| AS075LG | Steel | Light gray | 3/4-in. conduit holes | 1.06 27 | 1.56 40 |
| ASPB | Steel | ANSI 61 gray | 30.5-mm pushbutton holes | 1.25 32 | 1.75 44 |
| ASPBSS | Stainless Steel | Stainless Steel | 30.5-mm pushbutton holes | 1.25 32 | 1.75 44 |
| ASPBLG | Steel | Light gray | 30.5-mm pushbutton holes | 1.25 32 | 1.75 44 |
| AS100 | Steel | ANSI 61 gray | 1-in. conduit holes | 1.38 35 | 1.88 48 |
| AS100SS | Stainless Steel | Stainless Steel | 1-in. conduit holes | 1.38 35 | 1.88 48 |
| AS100LG | Steel | Light gray | 1-in. conduit holes | 1.38 35 | 1.88 48 |
| AS125 | Steel | ANSI 61 gray | 1 1/4-in. conduit holes | 1.69 43 | 2.19 56 |
| AS125SS | Stainless Steel | Stainless Steel | 1 1/4-in. conduit holes | 1.69 43 | 2.19 56 |
| AS125LG | Steel | Light gray | 1 1/4-in. conduit holes | 1.69 43 | 2.19 56 |
| AS150 | Steel | ANSI 61 gray | 1 1/2-in. conduit holes | 2.00 51 | 2.50 64 |
| AS150SS | Stainless Steel | Stainless Steel | 1 1/2-in. conduit holes | 2.00 51 | 2.50 64 |
| AS150LG | Steel | Light gray | 1 1/2-in. conduit holes | 2.00 51 | 2.50 64 |
| AS200 | Steel | ANSI 61 gray | 2-in. conduit holes | 2.50 64 | 3.00 76 |
| AS200SS | Stainless Steel | Stainless Steel | 2-in. conduit holes | 2.50 64 | 3.00 76 |
| AS200LG | Steel | Light gray | 2-in. conduit holes | 2.50 64 | 3.00 76 |
| AS250 | Steel | ANSI 61 gray | 2 1/2-in. conduit holes | 3.00 76 | 3.50 89 |
| AS250SS | Stainless Steel | Stainless Steel | 2 1/2-in. conduit | 3.00 76 | 3.50 89 |
| AS300 | Steel | ANSI 61 gray | 3-in. conduit holes | 3.62 92 | 4.12 105 |
| AS300SS | Stainless Steel | Stainless Steel | 3-in. conduit holes | 3.62 92 | 4.12 105 |
| AS350 | Steel | ANSI 61 gray | 3 1/2-in. conduit holes | 4.12 105 | 4.62 117 |
| AS350SS | Stainless Steel | Stainless Steel | 3 1/2-in. conduit holes | 4.12 105 | 4.62 117 |
| AS400 | Steel | ANSI 61 gray | 4-in. conduit holes | 4.62 117 | 5.12 130 |
| AS400SS | Stainless Steel | Stainless Steel | 4-in. conduit holes | 4.62 117 | 5.12 130 |

HOL-SEALERS™ NON-METALLIC HOLE SEALS

INDUSTRY STANDARDS

UL 508A Component Recognized; Type 3R, 4, 4X, 12, 13; File No. E61997

CSA File No. 42186: Type 3R, 4, 4X, 12, 13
 NEMA/EEMAC Type 3R, 4, 4X, 12, 13
 IEC 60529, IP66

APPLICATION

Designed for use in corrosive environments to seal extra pushbutton holes, conduit openings and knockout openings against dust, dirt, oil and water. These hole seals are suitable for sealing enclosure openings in industries such as petroleum and chemical processing, wastewater processing, pulp and paper, outdoor monitoring and any other industry exposed to harsh environments.

Innovative 3-in-1 self-centering design

- Thread self-centers on one hole size
- Nut orientation "A" self-centers on a second hole size (see Nut Orientation drawing)
- Nut orientation "B" self-centers on a third hole size

FEATURES

- Innovative 3-in-1 self-centering design reduces inventory requirements; 4 models cover 12 common industry cutouts ranging from 1/2 in. to 4 in.
- Non-metallic construction provides superior corrosion resistance for reliability in harsh environments
- UV stabilized; ideal for direct sunlight (avoids fiberbloom associated with fiberglass)
- Chemically resistant to a broad range of chemicals
- Durable and impact resistant; resists cracking
- Sold in quantities of 2 per catalog number
- Cost-effective alternative to stainless steel
- Polyester material has a UL 94 rating of 5VA
- Easy to install; no tools required

SPECIFICATIONS

- Thread and nut are constructed of non-glass-filled polyester
- Oil-resistant gasket

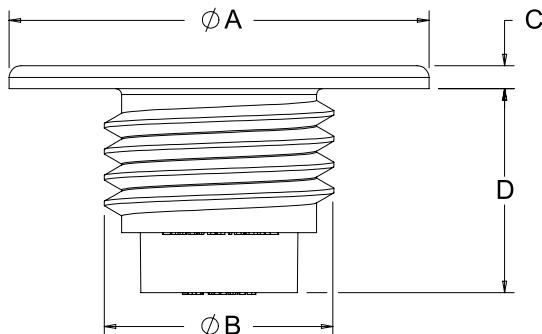
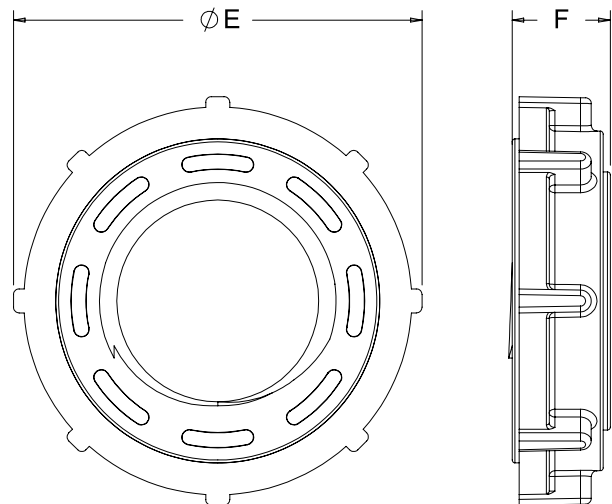
FINISH

RAL 7035 light-gray textured finish

BULLETIN: A80HS

Standard Product Non-Metallic Hole Seals

| Catalog Number | AxBxC in./mm | Qty. | D in./mm | E in./mm | F in./mm | Max. Hole Diameter in./mm | Outside Diameter in./mm | Torque (in.-lb.) |
|----------------|--------------------|------|----------|----------|----------|---------------------------|-------------------------|------------------|
| ASPB05075NM | 1.56 x 0.85 x 0.12 | 2 | 1.28 | 1.48 | .47 | 1.28 | 1.56 | 15 |
| | 40 x 22 x 3 | | 32 | 38 | 12 | 33 | 40 | |
| ASPB100125NM | 2.19 x 1.19 x 0.12 | 2 | 1.18 | 2.14 | .51 | 1.91 | 2.19 | 20 |
| | 56 x 30 x 3 | | 30 | 54 | 13 | 49 | 56 | |
| AS150200250NM | 3.50 x 1.95 x 0.12 | 2 | .95 | 3.42 | .51 | 3.14 | 3.50 | 35 |
| | 89 x 49 x 3 | | 24 | 87 | 13 | 80 | 89 | |
| AS300350400NM | 5.12 x 3.55 x 0.12 | 2 | .81 | 5.05 | .51 | 4.77 | 5.12 | 50 |
| | 130 x 90 x 3 | | 21 | 128 | 13 | 121 | 130 | |

Seal

Nut


87929497

HOL-SEALERS™ Fit These Hole Sizes

| Catalog Number | Fits | Min. Hole Dia. (inch) | Min. Hole Dia. (millimeter) | Nut Orientation |
|----------------|--------------------------|-----------------------|-----------------------------|-----------------|
| ASP05075NM | .5-in. conduit holes | .86 | 22 | A |
| | 22.5-mm pushbutton holes | .88 | 22 | A |
| ASP100125NM | .75-in. conduit holes | 1.09 | 28 | A |
| | 30.5-mm pushbutton holes | 1.20 | 31 | A |
| ASP150200250NM | 1-in. conduit holes | 1.36 | 35 | B |
| | 1.25-in. conduit holes | 1.70 | 43 | A |
| AS150200250NM | 1.5-in. conduit holes | 1.95 | 50 | A |
| | 2-in. conduit holes | 2.38 | 60 | B |
| | 2.5-in. conduit holes | 2.88 | 73 | A |
| AS300350400NM | 3-in. conduit holes | 3.50 | 89 | A |
| | 3.5-in. conduit holes | 4.00 | 102 | B |
| | 4-in. conduit holes | 4.50 | 114 | A |

