



Chipsmall Limited consists of a professional team with an average of over 10 year of expertise in the distribution of electronic components. Based in Hongkong, we have already established firm and mutual-benefit business relationships with customers from,Europe,America and south Asia,supplying obsolete and hard-to-find components to meet their specific needs.

With the principle of "Quality Parts,Customers Priority,Honest Operation,and Considerate Service",our business mainly focus on the distribution of electronic components. Line cards we deal with include Microchip,ALPS,ROHM,Xilinx,Pulse,ON,Everlight and Freescale. Main products comprise IC,Modules,Potentiometer,IC Socket,Relay,Connector.Our parts cover such applications as commercial,industrial, and automotives areas.

We are looking forward to setting up business relationship with you and hope to provide you with the best service and solution. Let us make a better world for our industry!



## Contact us

Tel: +86-755-8981 8866 Fax: +86-755-8427 6832

Email & Skype: info@chipsmall.com Web: www.chipsmall.com

Address: A1208, Overseas Decoration Building, #122 Zhenhua RD., Futian, Shenzhen, China



# LOW PROFILE SHIELDED SMD CHIP POWER INDUCTOR



3.0 x 3.0 x 1.5mm



**RoHS**  
Compliant

ASPI-0315FSSA

## FEATURES:

- Small size and low profile: 1.5mm
- Small DCR and high rated current
- High reliability to mechanical stress
- Magnetically shielded by magnetic powder molding
- Suitable for RoHS reflow profile

## APPLICATIONS:

- Mobile phones
- MP3 & 4 and other portable communication equipment
- Digital cameras.

## ELECTRICAL SPECIFICATIONS:

Abracon P/N:	ASPI-0315FSSA Series
Operating Temperature & Humidity :	-30°C to +100°C, 5% to 85% RH.
Storage Temperature & Humidity:	-20°C to +60°C, 5% to 85% RH.

Part Number	Inductance	DCR	Saturation Current	Temperature Rise Current	Marking
Units	$\mu\text{H}\pm 20\%$	$\text{m}\Omega\pm 20\%$	A	A	—
Symbol	L	DCR	Isat*	Irms*	—
ASPI-0315FSSA-2R2M	2.2	60	1.6	1.28	2R2
ASPI-0315FSSA-3R3M	3.3	80	1.3	1.18	3R3
ASPI-0315FSSA-4R7M	4.7	110	1.1	1.00	4R7
ASPI-0315FSSA-6R8M	6.8	160	1.0	0.85	6R8
ASPI-0315FSSA-100M	10.0	200	0.82	0.75	100
ASPI-0315FSSA-220M	22.0	500	0.56	0.47	220
ASPI-0315FSSA-330M	33.0	800	0.44	0.40	330
ASPI-0315FSSA-470M	47.0	1200	0.37	0.33	470

\*The rated current is subject to change depending upon the temperature cooling condition.

### Test Conditions

**Inductance:** 100kHz, 0.3V, Ta=20°C

**DCR:** Ta=20°C

**Isat:**  $\Delta L/L$  (initial)  $\geq -30\%$

**Irms:**  $\Delta T \leq 40^\circ\text{C}$

## OPTIONS AND PART IDENTIFICATION

ASPI-0315FSSA -  -

### Inductance Code

Please refer to the table above

### Packaging

T: Tape and Reel  
(1kpcs / reel)

T3: Tape and Reel  
(3kpcs / reel)

# LOW PROFILE SHIELDED SMD CHIP POWER INDUCTOR



3.0 x 3.0 x 1.5mm

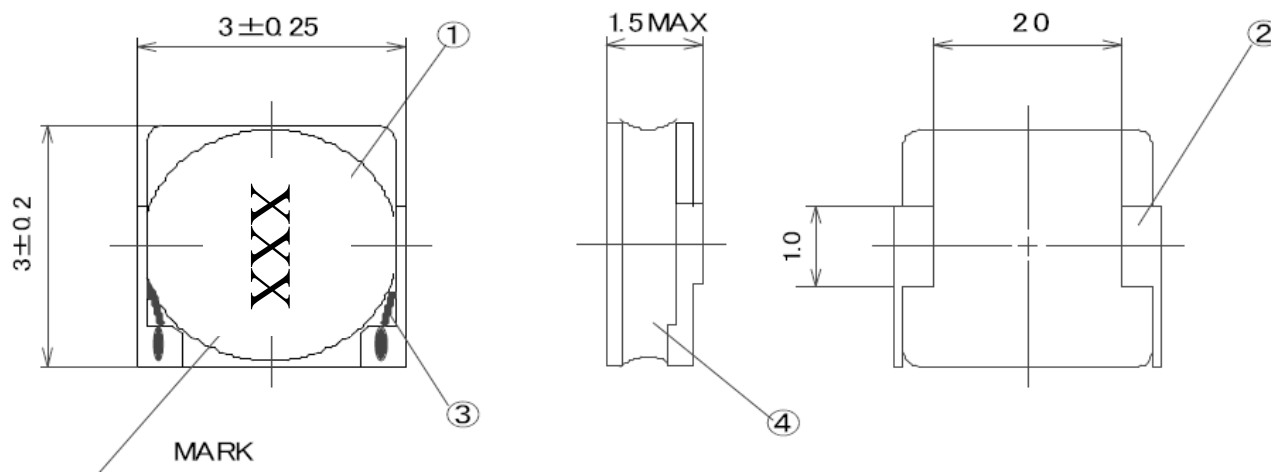
ASPI-0315FSSA



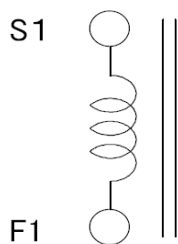
RoHS  
Compliant

## OUTLINE DRAWING:

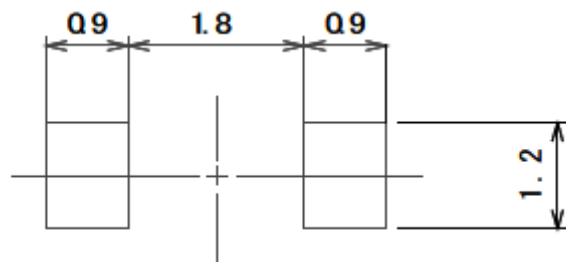
### Mechanical Dimensions



### Circuit Schematic



### Recommended Land Pattern



No	Part Name	Material
1	Drum core	Ni-Zn Ferrite
2	Terminals	Copper alloy, Sn
3	Coil	Cu/UEW
4	Adhesive	Epoxy base resin
	Magnetic powder	Ni-Zn Ferrite

Dimension: mm

# LOW PROFILE SHIELDED SMD CHIP POWER INDUCTOR



3.0 x 3.0 x 1.5mm

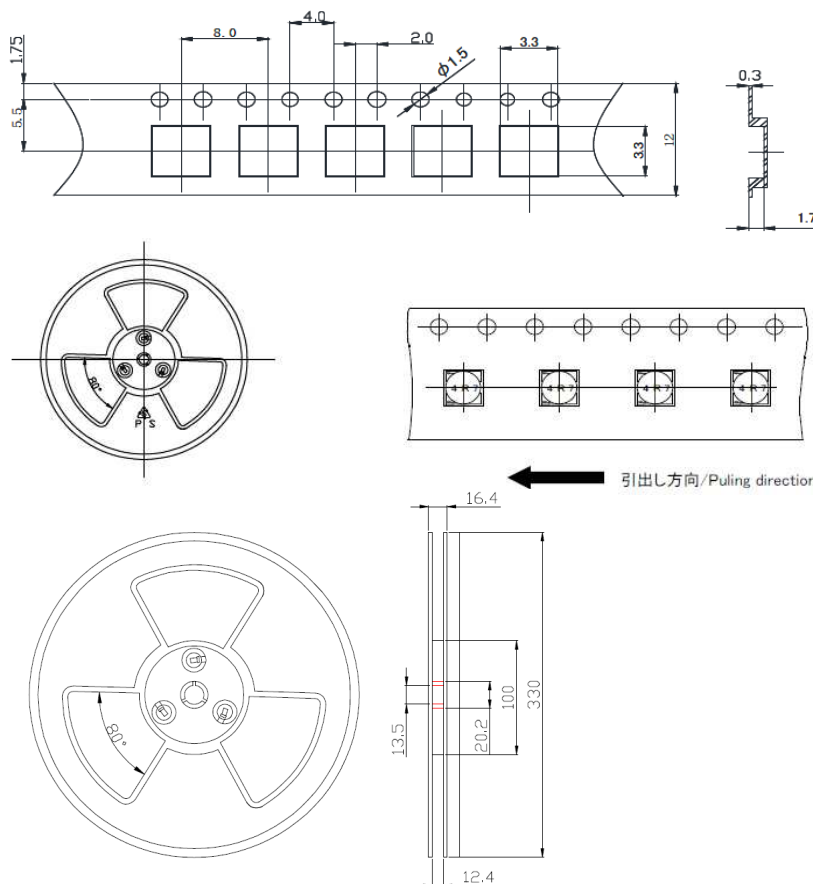
ASPI-0315FSSA



**RoHS**  
Compliant

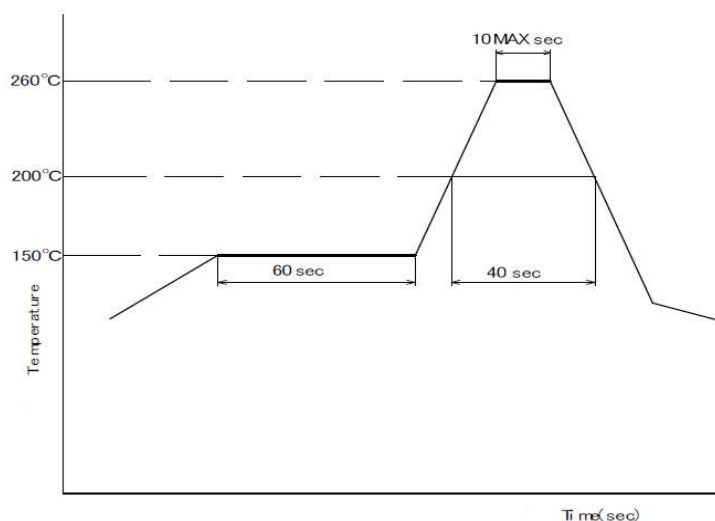
## TAPE & REEL:

T: 1,000pcs / reel  
T3: 3,000pcs / reel



Dimension: mm

## REFLOW PROFILE:



**ATTENTION** Abracon Corporation's products are COTS – Commercial-Off-The-Shelf products; suitable for Commercial, Industrial and, where designated, Automotive Applications. Abracon's products are not specifically designed for Military, Aviation, Aerospace, Life-dependant Medical applications or any application requiring high reliability where component failure could result in loss of life and/or property. For applications requiring high reliability and/or presenting an extreme operating environment, written consent and authorization from Abracon Corporation is required. Please contact Abracon Corporation for more information.

ABRACON IS  
ISO9001:2008  
CERTIFIED



Visit [www.abracon.com](http://www.abracon.com) for Terms & Conditions of Sale  
30332 Esperanza, Rancho Santa Margarita, California 92688  
tel 949-546-8000 | fax 949-546-8001 | [www.abracon.com](http://www.abracon.com)

Revised: 06.06.11