



Chipsmall Limited consists of a professional team with an average of over 10 year of expertise in the distribution of electronic components. Based in Hongkong, we have already established firm and mutual-benefit business relationships with customers from,Europe,America and south Asia,supplying obsolete and hard-to-find components to meet their specific needs.

With the principle of “Quality Parts,Customers Priority,Honest Operation,and Considerate Service”,our business mainly focus on the distribution of electronic components. Line cards we deal with include Microchip,ALPS,ROHM,Xilinx,Pulse,ON,Everlight and Freescale. Main products comprise IC,Modules,Potentiometer,IC Socket,Relay,Connector.Our parts cover such applications as commercial,industrial, and automotives areas.

We are looking forward to setting up business relationship with you and hope to provide you with the best service and solution. Let us make a better world for our industry!



Contact us

Tel: +86-755-8981 8866 Fax: +86-755-8427 6832

Email & Skype: info@chipsmall.com Web: www.chipsmall.com

Address: A1208, Overseas Decoration Building, #122 Zhenhua RD., Futian, Shenzhen, China



LOW PROFILE SHIELDED SMD CHIP POWER INDUCTOR



6.0 x 6.0 x 2.0mm

ASPI-0615FS



RoHS/RoHS II Compliant

FEATURES:

- Small size and low profile: 2.0mm
- Small DCR and high rated current
- High reliability to mechanical strength
- Magnetically shielded by magnetic powder molding
- Suitable for RoHS reflow profile

APPLICATIONS:

- DC/DC converter for LCD display of notebook PC
- Portable communication equipment
- Digital cameras

ELECTRICAL SPECIFICATIONS:

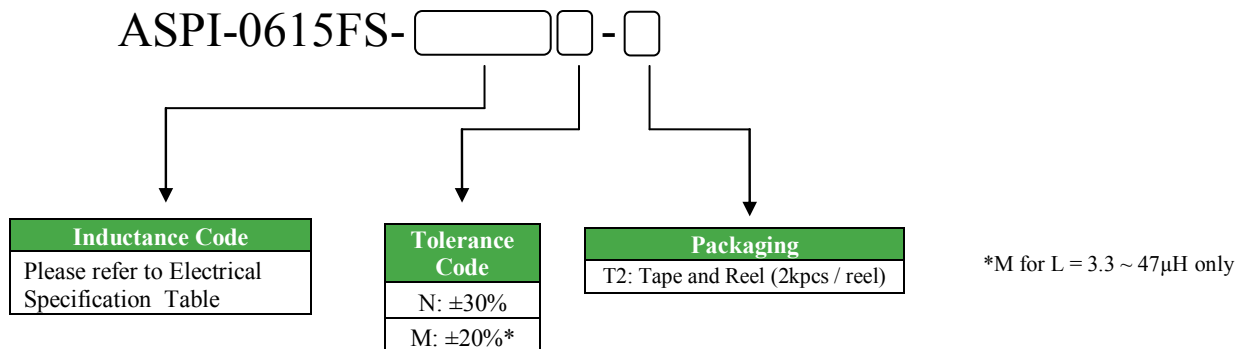
Abracon P/N:	ASPI-0615FS Series
Operating Temperature & Humidity :	-25°C to +120°C (Including self generated heat)
Storage Temperature & Humidity:	-10°C to +40°C, 30% to 70% RH

Part Number ASPI-0615FS- Inductance Code	Inductance	Inductance Tolerance	DCR	DCR Tolerance	Saturation Current	Temperature Rise Current
Units	μH	%	mΩ	%	A	A
Symbol	L	M, N	DCR		Isat	Irms
ASPI-0615FS-R50	0.5	N	9	±30%	7.00	5.20
ASPI-0615FS-R80	0.8	N	12		6.00	4.10
ASPI-0615FS-1R5	1.5	N	17		4.00	3.60
ASPI-0615FS-2R2	2.2	N	24		3.50	2.90
ASPI-0615FS-3R3	3.3	M, N	30		2.80	2.80
ASPI-0615FS-4R7	4.7	M, N	43	±20%	2.40	2.20
ASPI-0615FS-5R6	5.6	M, N	55		2.20	2.00
ASPI-0615FS-6R8	6.8	M, N	60		2.00	1.80
ASPI-0615FS-100	10	M, N	90		1.90	1.50
ASPI-0615FS-150	15	M, N	120		1.30	1.20
ASPI-0615FS-220	22	M, N	170		1.10	1.00
ASPI-0615FS-330	33	M, N	310		0.90	0.90
ASPI-0615FS-470	47	M, N	370	0.80	0.80	

Test Conditions

1. Inductance is measured in HP-4285A Precision LCR Meter.
2. RDC is measured in DU-5011 milli ohm meter.(or equivalent).
3. Isat : Based on inductance change ($\Delta L/L_o : \leq -30\%$)
4. Irms : Based on temperature rise ($\Delta T : 40^\circ\text{C TYP.}$)
5. Test Freq: 100KHz, 1Vrms

OPTIONS AND PART IDENTIFICATION



LOW PROFILE SHIELDED SMD CHIP POWER INDUCTOR

ASPI-0615FS



RoHS/RoHS II Compliant

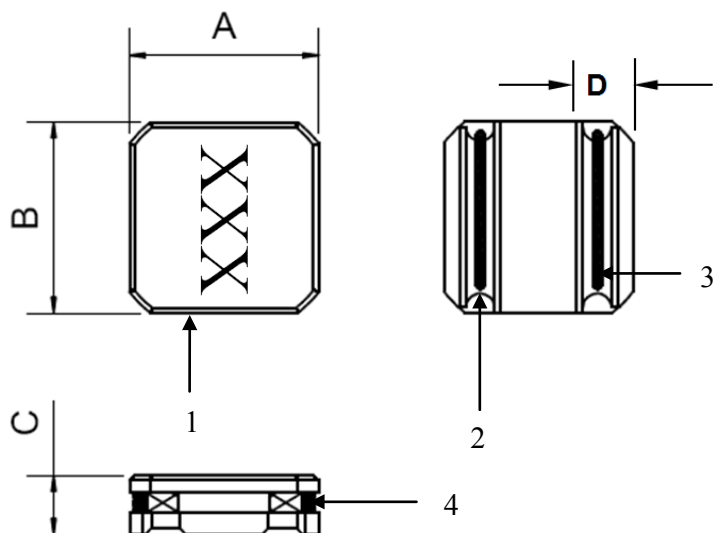


6.0 x 6.0 x 2.0mm

OUTLINE DRAWING:

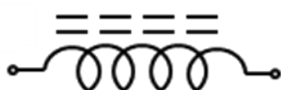
Mechanical Dimensions (Effective date: 2/15/2012)

Please contact Abracon for products purchased before effective date. Package outline is different due to core material change.



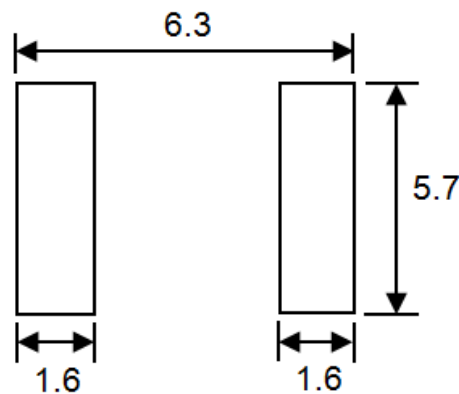
A	B	C	D Typ.
6.0±0.2	6.0±0.2	2.0±0.2	1.50

Circuit Schematic



No Polarity

Recommended Land Pattern



Dimension: mm

Material

No	Part Name	Material
1	Ferrite core	Ni-Zn Ferrite
2	Terminals	Ag/Ni/Sn
3	Coil	Cu/P180 Grd 1
4	Adhesive	Silicon Base Resin
	Magnetic Powder	Ni-Zn Ferrite

LOW PROFILE SHIELDED SMD CHIP POWER INDUCTOR



6.0 x 6.0 x 2.0mm

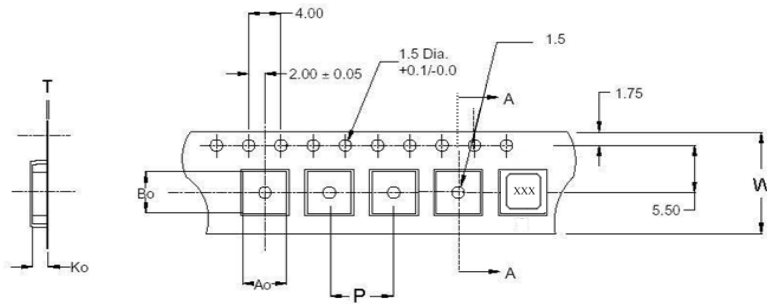
ASPI-0615FS



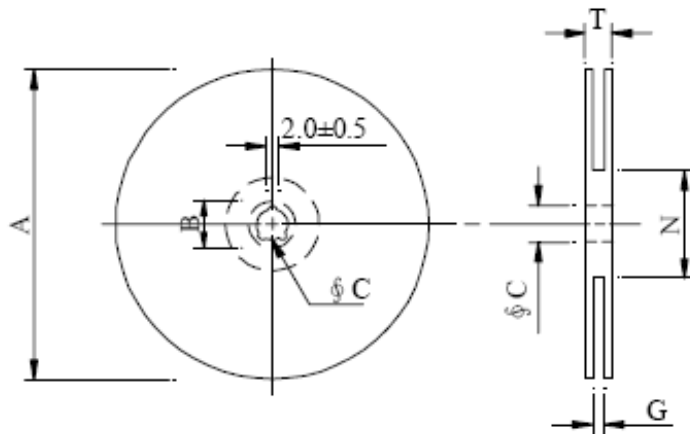
RoHS/RoHS II Compliant

TAPE & REEL:

T2: 2,000pcs / reel



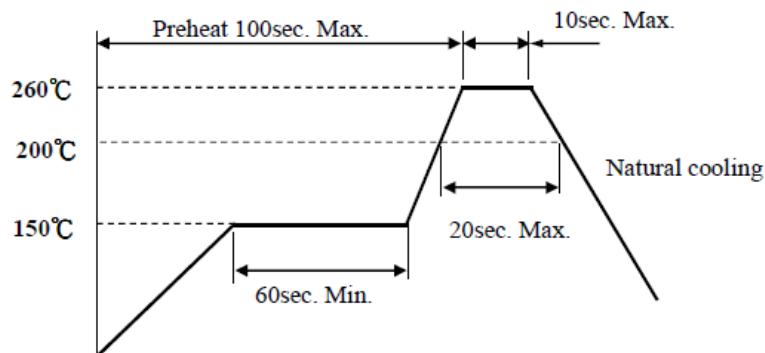
Ao	6.35
Bo	6.20
Ko	2.40
W	16.00
P	12.00
T	0.40



A	330
B	21.0±0.8
C	13.5±0.5
G	16.6
N	99.5
T	21

Dimension: mm

REFLOW PROFILE:



ATTENTION: Abracon Corporation's products are COTS – Commercial-Off-The-Shelf products; suitable for Commercial, Industrial and, where designated, Automotive Applications. Abracon's products are not specifically designed for Military, Aviation, Aerospace, Life-dependant Medical applications or any application requiring high reliability where component failure could result in loss of life and/or property. For applications requiring high reliability and/or presenting an extreme operating environment, written consent and authorization from Abracon Corporation is required. Please contact Abracon Corporation for more information.

ABRACON IS
ISO9001:2008
CERTIFIED



Visit www.abracon.com for Terms & Conditions of Sale
30332 Esperanza, Rancho Santa Margarita, California 92688
tel 949-546-8000 | fax 949-546-8001 | www.abracon.com

Revised: 02.04.13