



Chipsmall Limited consists of a professional team with an average of over 10 year of expertise in the distribution of electronic components. Based in Hongkong, we have already established firm and mutual-benefit business relationships with customers from,Europe,America and south Asia,supplying obsolete and hard-to-find components to meet their specific needs.

With the principle of "Quality Parts,Customers Priority,Honest Operation,and Considerate Service",our business mainly focus on the distribution of electronic components. Line cards we deal with include Microchip,ALPS,ROHM,Xilinx,Pulse,ON,Everlight and Freescale. Main products comprise IC,Modules,Potentiometer,IC Socket,Relay,Connector.Our parts cover such applications as commercial,industrial, and automotives areas.

We are looking forward to setting up business relationship with you and hope to provide you with the best service and solution. Let us make a better world for our industry!



## Contact us

Tel: +86-755-8981 8866 Fax: +86-755-8427 6832

Email & Skype: info@chipsmall.com Web: www.chipsmall.com

Address: A1208, Overseas Decoration Building, #122 Zhenhua RD., Futian, Shenzhen, China



# Molding Type Power Inductor

ASPI-1040HI



**RoHS**  
Compliant



11.15 x 10.0 x 4.0 mm

## FEATURES:

- High saturation current.
- Low loss due to low DC resistance.
- Frequency application up to 3MHz.
- Low profile with max thickness 4.0mm.
- 100% lead free and metted RoHS standard.
- Suitable for reflow soldering.
- High reliable SMD package

## APPLICATIONS:

- DC/DC converters in Notebook, Netbook, desktop and server
- Low profile, high current power supplies.

## STANDARD SPECIFICATIONS

Abracon P/N:	ASPI-1040HI Series
Operating Temperature & Humidity:	-55°C to +125°C (Including self generated heat)
Storage Temperature & Humidity:	+25°C to +35°C, 45% to 85% RH

Part Number	Inductance	Tolerance	DCR Typ	DCR Max	Saturation Current	Temperature Rise Current
Units	μH	%	mΩ	mΩ	A	A
Symbol	L	M			Isat*	Irms*
ASPI-1040HI-R22	0.22	M	0.88	0.96	68.0	35.0
ASPI-1040HI-R47	0.47	M	1.55	1.70	40.0	30.0
ASPI-1040HI-1R0	1.00	M	3.00	3.30	28.0	18.0
ASPI-1040HI-4R7	4.70	M	17.00	20.20	15.0	8.5
ASPI-1040HI-100	10.00	M	27.00	30.00	8.5	7.5

## Test Conditions

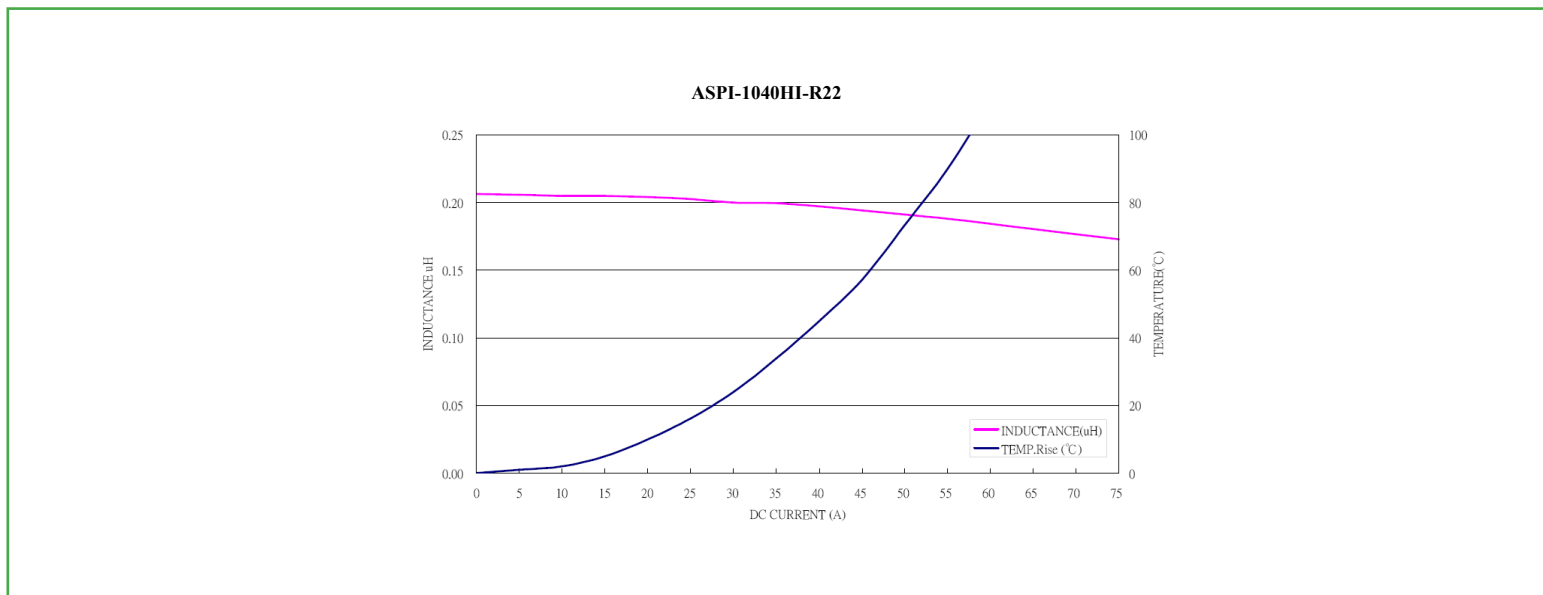
Inductance is measured in HP-4284A Precision LCR Meter.

RDC is measured in HP-4338B milli ohm meter.(or equivalent).

. Isat: Based on inductance change ( $\Delta L/L_o : \leq -20\%$ )

. Irms: Based on temperature rise ( $\Delta T : 40^\circ\text{C TYP.}$ )

## ELECTRICAL CHARACTERISTIC CURVES



# Molding Type Power Inductor

ASPI-1040HI



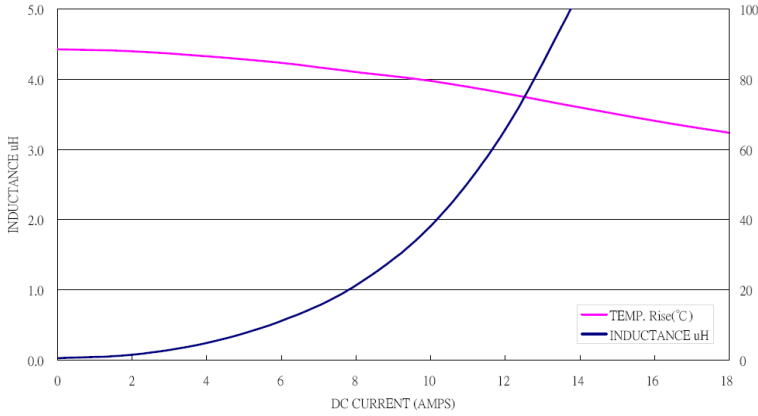
RoHS  
Compliant



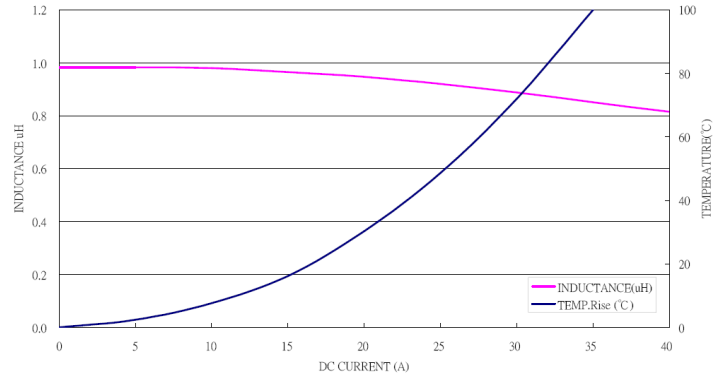
11.15 x 10.0 x 4.0 mm

## ELECTRICAL CHARACTERISTIC CURVES

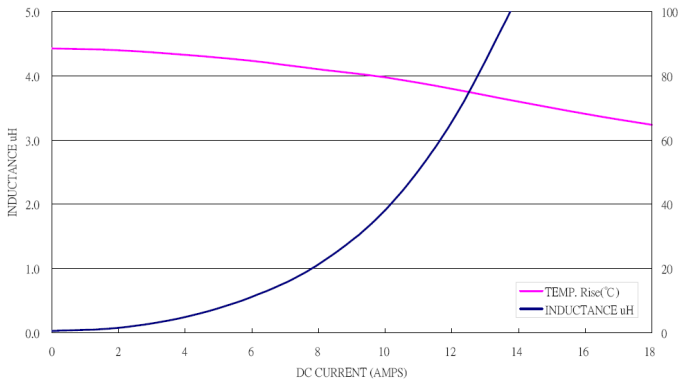
ASPI-1040HI-R47



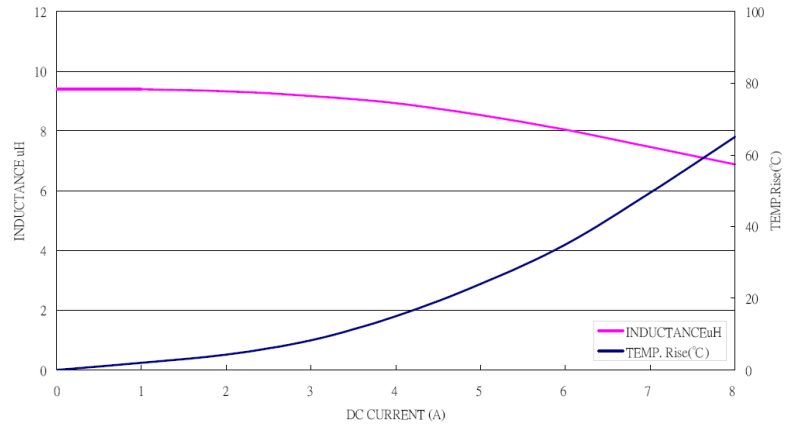
ASPI-1040HI-1R0



ASPI-0630HI-4R7



ASPI-1040HI-100





# Molding Type Power Inductor

ASPI-1040HI



RoHS  
Compliant



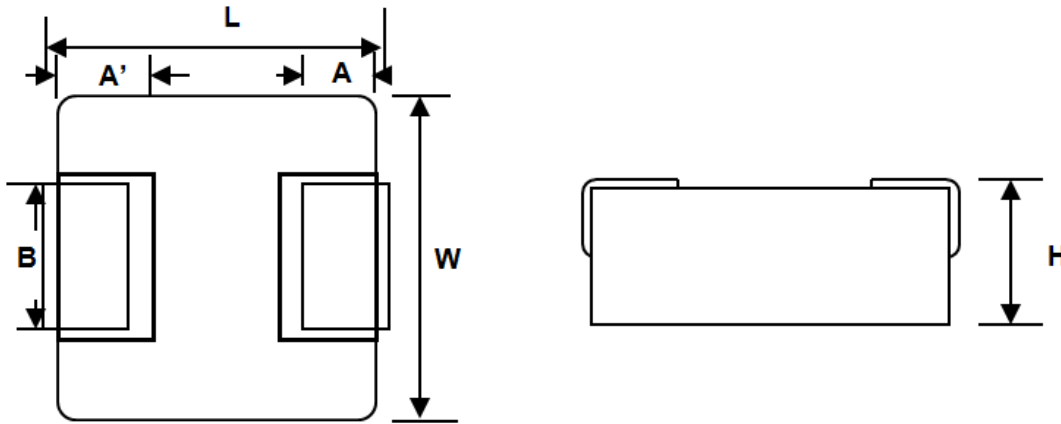
11.15 x 10.0 x 4.0 mm

## PART NUMBER IDENTIFICATION

ASPI-1040HI-     -  

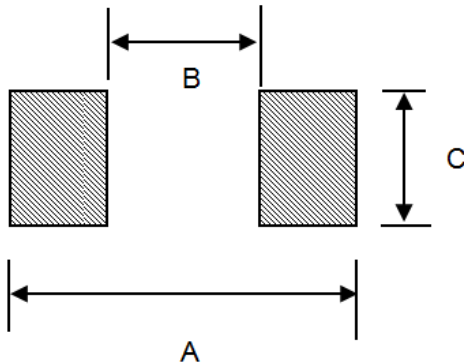
<b>Inductance Code</b>	<b>Tolerance</b>	<b>Packaging</b>
Please refer to the Electrical Spec Table	M: $\pm 20\%$	T05: Tape and Reel (500pcs / reel)

## OUTLINE DRAWING:



A	A'	B	L	W	H
2.0 $\pm$ 0.5	2.5 $\pm$ 0.1	3.0 $\pm$ 0.5	11.15 $\pm$ 0.35	10 $\pm$ 0.3	4 max

### Recommended Land Pattern



A	B	C
13.6	5.4	4.1

Dimension: mm

# Molding Type Power Inductor

ASPI-1040HI



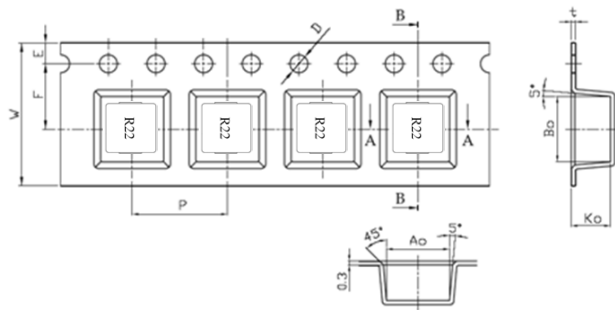
RoHS  
Compliant



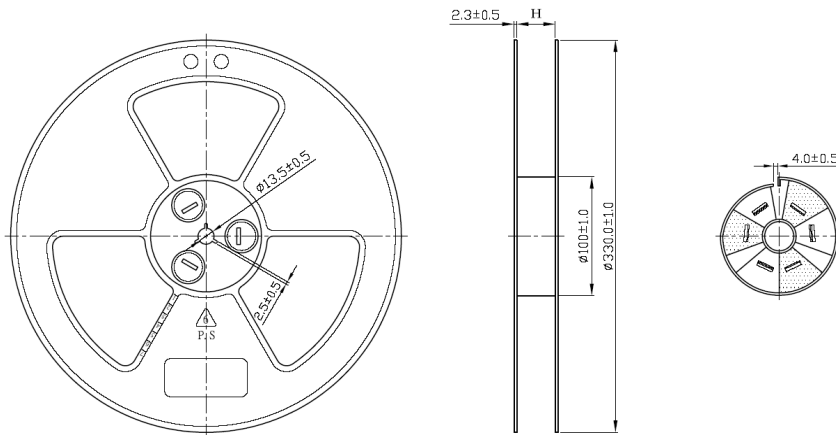
11.15 x 10.0 x 4.0 mm

## TAPE & REEL:

T05: 500pcs / reel

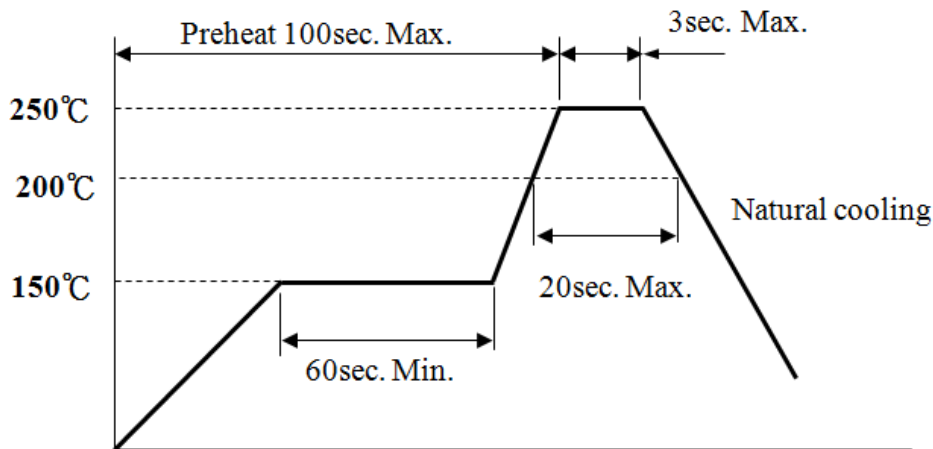


A0	10.5
B0	11.5
K0	4.2
P	16.0
t	0.5
W	24
E	1.75
F	11.5
D	1.5



Dimension: mm

## REFLOW PROFILE:



**ATTENTION:** Abracon LLC's products are COTS – Commercial-Off-The-Shelf products; suitable for Commercial, Industrial and, where designated, Automotive Applications. Abracon's products are not specifically designed for Military, Aviation, Aerospace, Life-dependant Medical applications or any application requiring high reliability where component failure could result in loss of life and/or property. For applications requiring high reliability and/or presenting an extreme operating environment, written consent and authorization from Abracon LLC is required. Please contact Abracon LLC for more information.



5101 Hidden Creek Lane Spicewood TX 78669  
Phone: 512-371-6159 | Fax: 512-351-8858  
For terms and conditions of sale please visit:  
[www.abracon.com](http://www.abracon.com)

REVISED: 07/19/2018

ABRACON IS  
ISO9001-2015  
CERTIFIED