



Chipsmall Limited consists of a professional team with an average of over 10 year of expertise in the distribution of electronic components. Based in Hongkong, we have already established firm and mutual-benefit business relationships with customers from,Europe,America and south Asia,supplying obsolete and hard-to-find components to meet their specific needs.

With the principle of “Quality Parts,Customers Priority,Honest Operation,and Considerate Service”,our business mainly focus on the distribution of electronic components. Line cards we deal with include Microchip,ALPS,ROHM,Xilinx,Pulse,ON,Everlight and Freescale. Main products comprise IC,Modules,Potentiometer,IC Socket,Relay,Connector.Our parts cover such applications as commercial,industrial, and automotives areas.

We are looking forward to setting up business relationship with you and hope to provide you with the best service and solution. Let us make a better world for our industry!



## Contact us

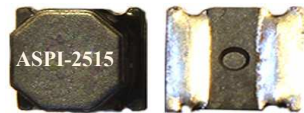
Tel: +86-755-8981 8866 Fax: +86-755-8427 6832

Email & Skype: info@chipsmall.com Web: www.chipsmall.com

Address: A1208, Overseas Decoration Building, #122 Zhenhua RD., Futian, Shenzhen, China



# Low Profile Shielded SMD Chip Power Inductor



2.5 x 2.0 x 1.5mm

ASPI-2515 series

MSL level: 1



RoHS/RoHS II Compliant

## FEATURES:

- Small size and low profile: 1.5mm
- Small DCR and high rated current
- High reliability to mechanical stress
- Magnetically shielded by magnetic powder molding
- Suitable for RoHS reflow profile

## APPLICATIONS:

- Mobile phones
- MP3 & 4 and other portable communication equipment
- Digital cameras.

## ELECTRICAL SPECIFICATIONS:

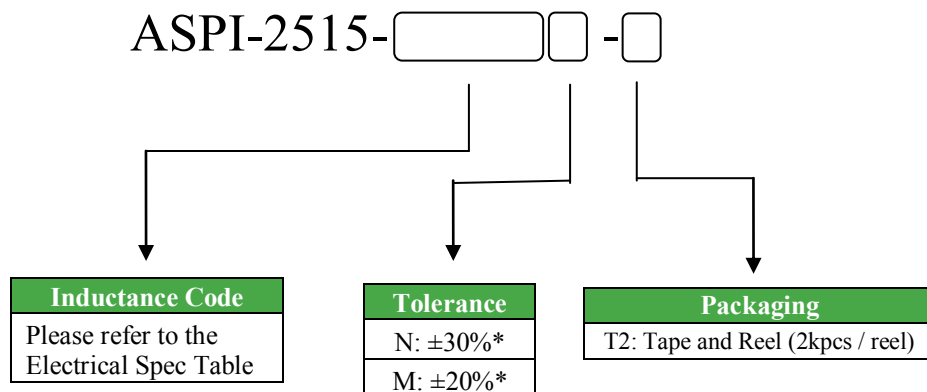
Abrakon P/N:	ASPI-2515 Series
Operating Temperature & Humidity :	-25°C to +120°C (Including self generated heat)
Storage Temperature & Humidity:	-10°C to +40°C, 30% to 70% RH

Part Number ASPI-2515-Inductance Code	Inductance	Inductance Tolerance	DC Resistance		Saturation Current	Temperature Rise Current
			Units	%		
			Symbol	DCR		
ASPI-2515-R47	0.47	N	35	±30%	3.30	2.80
ASPI-2515-1R0	1.0	N	49	±30%	2.30	2.20
ASPI-2515-1R5	1.5	N	67	±30%	2.00	1.80
ASPI-2515-2R2	2.2	M	100	±20%	1.70	1.50
ASPI-2515-3R3	3.3	M	138	±20%	1.35	1.30
ASPI-2515-4R7	4.7	M	206	±20%	1.15	1.10
ASPI-2515-6R8	6.8	M	295	±20%	0.95	0.90
ASPI-2515-100	10.0	M	445	±20%	0.80	0.75

## Test Conditions

1. Inductance is measured in HP-4285A Precision LCR Meter.
2. RDC is measured in DU-5011 milli ohm meter.(or equivalent).
3. Isat : Based on inductance change ( $\Delta L/L_o \leq -30\%$ )
4. Irms : Based on temperature rise ( $\Delta T : 40^\circ\text{C TYP.}$ )
5. Test Freq: 100KHz, 1Vrms

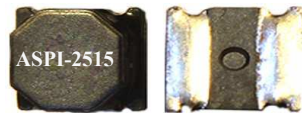
## OPTIONS AND PART IDENTIFICATION



\*N for L = 0.47~1.5μH

\*M for L = 2.2 ~ 10μH

# Low Profile Shielded SMD Chip Power Inductor



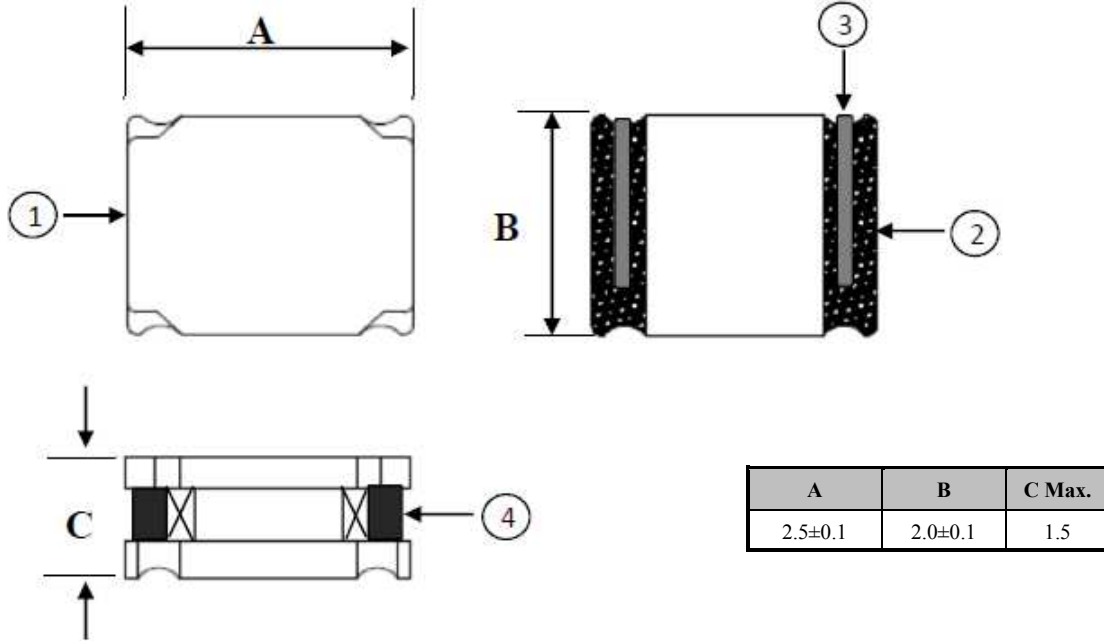
2.5 x 2.0 x 1.5mm

ASPI-2515 series

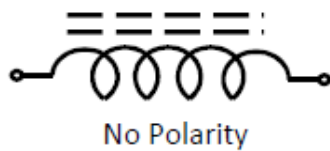
 RoHS/RoHS II Compliant

## OUTLINE DRAWING:

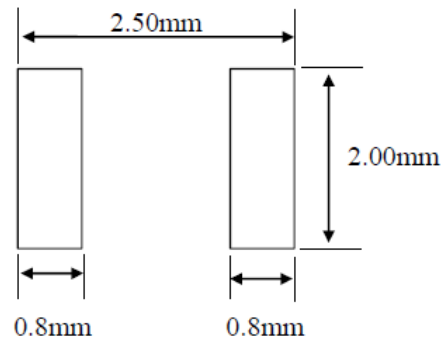
### Mechanical Dimensions



### Circuit Schematic



### Recommended Land Pattern



### Materials

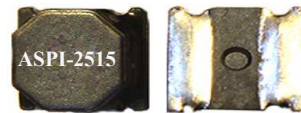
No	Part Name	Material
1	Ferrite core	Ni-Zn Ferrite
2	Terminals	Ag/Ni/Sn
3	Coil	Cu/P180 Grd 1
4	Adhesive	Silicon Base Resin
	Magnetic Powder	Ni-Zn Ferrite

Dimension: mm

# Low Profile Shielded SMD Chip Power Inductor

ASPI-2515 series

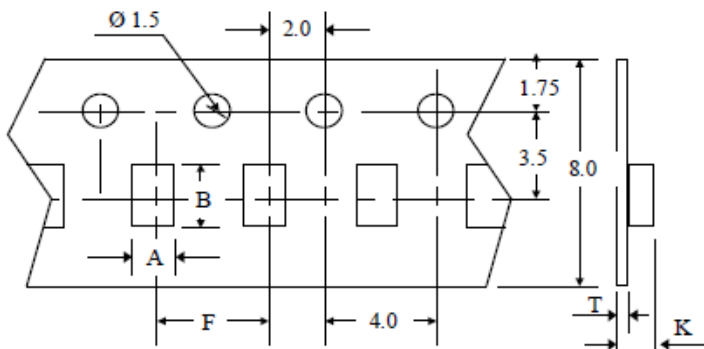
 RoHS/RoHS II Compliant



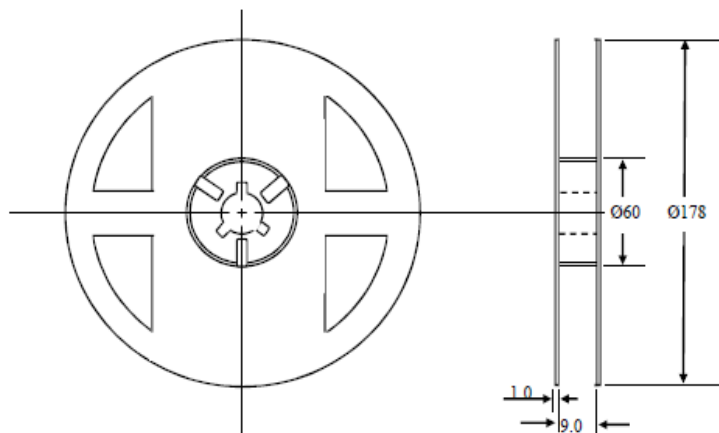
2.5 x 2.0 x 1.5mm

## TAPE & REEL:

T2: 2,000pcs / reel

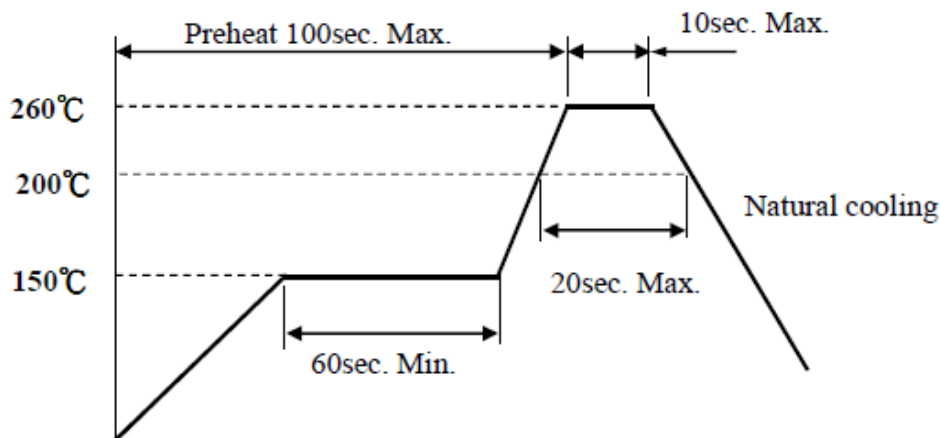


A	2.20
B	2.83
K	1.75
F	4
T	0.25



Dimension: mm

## REFLOW PROFILE:



**ATTENTION:** Abracon Corporation's products are COTS – Commercial-Off-The-Shelf products; suitable for Commercial, Industrial and, where designated, Automotive Applications. Abracon's products are not specifically designed for Military, Aviation, Aerospace, Life-dependant Medical applications or any application requiring high reliability where component failure could result in loss of life and/or property. For applications requiring high reliability and/or presenting an extreme operating environment, written consent and authorization from Abracon Corporation is required. Please contact Abracon Corporation for more information.

ABRACON IS  
ISO9001:2008  
CERTIFIED



Visit [www.abracon.com](http://www.abracon.com) for Terms & Conditions of Sale **Revised: 01.31.13**  
30332 Esperanza, Rancho Santa Margarita, California 92688  
tel 949-546-8000 | fax 949-546-8001 | [www.abracon.com](http://www.abracon.com)