



Chipsmall Limited consists of a professional team with an average of over 10 year of expertise in the distribution of electronic components. Based in Hongkong, we have already established firm and mutual-benefit business relationships with customers from,Europe,America and south Asia,supplying obsolete and hard-to-find components to meet their specific needs.

With the principle of "Quality Parts,Customers Priority,Honest Operation,and Considerate Service",our business mainly focus on the distribution of electronic components. Line cards we deal with include Microchip,ALPS,ROHM,Xilinx,Pulse,ON,Everlight and Freescale. Main products comprise IC,Modules,Potentiometer,IC Socket,Relay,Connector.Our parts cover such applications as commercial,industrial, and automotives areas.

We are looking forward to setting up business relationship with you and hope to provide you with the best service and solution. Let us make a better world for our industry!



## Contact us

Tel: +86-755-8981 8866 Fax: +86-755-8427 6832

Email & Skype: info@chipsmall.com Web: www.chipsmall.com

Address: A1208, Overseas Decoration Building, #122 Zhenhua RD., Futian, Shenzhen, China



# ASQU / ASTU SERIES



## Description

The ASQU and ASTU Series of 17.5 mm, knob adjustable, universal solid-state timers offer multiple functions, voltages, and time delay ranges. Choose one of 5 functions and 4 time delay ranges via 4 selection switches located on face of the unit. Adjustment through the time range is accomplished by an onboard knob.

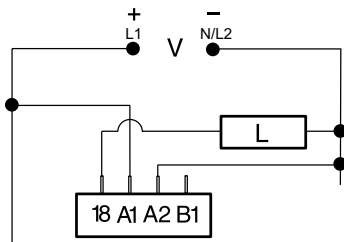
The ASQU Series has quick connect terminals and the ASTU Series has terminal blocks.

## Features & Benefits

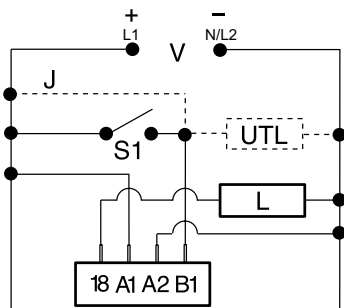
FEATURES	BENEFITS
<b>Universal AC or DC voltage</b>	Choose from 24 to 240VAC or 9 to 110VDC models
<b>Compact 17.5mm size</b>	Allows for high rail density
<b>Microcontroller based</b>	Repeat Accuracy + / -1%
<b>Multifunction: 5 timing functions</b>	Reduce stocking requirements
<b>Knob Adjustable Time Delay</b>	Field adjustable delay ranging from 0.1s - 100m
<b>0.7A steady, 10A inrush solid-state output</b>	Provides 100 million operations in typical conditions.
<b>Mounting fasteners included</b>	Each unit ships with both surface and DIN rail quick mount adapters
<b>Watchdog circuitry</b>	Self monitoring and self correcting for improved performance

## Wiring & Adjustment Diagrams

### DELAY-ON-MAKE & RECYCLING



### SINGLE SHOT, INTERVAL & DELAY-ON-BREAK



V = Voltage  
L = Load  
J = Wire Required for Interval Operation  
S1 = Initiate Switch  
UTL = Optional Untimed Load

### ADJUSTMENTS

DOM	A <input type="checkbox"/>	B <input type="checkbox"/>
SS	A <input type="checkbox"/>	B <input type="checkbox"/>
R	A <input type="checkbox"/>	B <input type="checkbox"/>
DOB	A <input type="checkbox"/>	B <input type="checkbox"/>

DOM = Delay-on-Make  
SS = Single Shot/Interval  
R = Recycling  
DOB = Delay-on-Break

R	M	S
0.1-10s	X1s	C <input type="checkbox"/> E D <input type="checkbox"/> F
1-100s	X10s	C <input type="checkbox"/> E D <input type="checkbox"/> F
10-1000s	X100s	C <input type="checkbox"/> E D <input type="checkbox"/> F
1-100m	X10m	C <input type="checkbox"/> E D <input type="checkbox"/> F

R = Range  
M = Multiplier  
S = Setting

## Accessories



**P1015-13** (AWG 10/12), **P1015-64** (AWG 14/16), **P1015-14** (AWG 18/22) **Female Quick Connect**  
These 0.25 in. (6.35 mm) female terminals are constructed with an insulator barrel to provide strain relief.



**P0500-178 Surface Mount Adapter**  
**P0500-179 DIN Rail Mount Adapter**  
For use with the ASxx/DSxx Series timers.

## Ordering Information

MODEL	INPUT VOLTAGE	CONNECTION
ASQUA3	24 to 240VAC	Quick Connects
ASQUD3	9 to 110VDC	Quick Connects
ASTUA3	24 to 240VAC	Terminal Blocks
ASTUD3	9 to 110VDC	Terminal Blocks

If you don't find the part you need, call us for a custom product 800-843-8848



# ASQU / ASTU SERIES

## Specifications

### Time Delay

**Type** Microcontroller based with ceramic resonator and watchdog circuitry

**Adjustment** Knob with dial; 2 switches select 1 of 4 multipliers

**Range\*** 0.1 - 10s, 1 - 100s, 10 - 1000s, 1 - 100m

**Repeat Accuracy** ±1% or ±50ms, whichever is greater

**Tolerance (Factory Calibration)** ±2% or ±50ms, whichever is greater

**Reset Time** ≤ 300ms

**Initiate Time** Single Shot & Delay-on-Break: ≤ 32ms

**Time Delay vs Temp. & Voltage** ±2%, or ±50ms, whichever is greater

### Input

**Voltage** AC: 24 to 240VAC; -20% - 10%  
DC: 9 to 110VDC; -0% - 20% @ -25°C  
9.4 to 110VDC; -0% - 20% @ -40°C

**AC Line Frequency/DC Ripple** 50/60Hz / ≤ 10%

### Output

**Type** Solid state

**Form** NO

**Rating** 0.7A steady state, 10A inrush

**Voltage Drop** AC ≅ 2.5V @ 0.7A; DC ≅ 1.5V @ 0.7A

### Protection

**Surge** IEEE C62.41-1991 Level A

**Circuitry** Encapsulated

**Dielectric Breakdown** ≥ 2000V RMS terminals to mounting surface

**Polarity** DC units are reverse polarity protected

### Mechanical

**Mounting** Two base adaptors are available

**DIN Rail** Snap on to 32 mm DIN 1 & 35 mm DIN 3 rail

**Surface** Two #6 (M3.5 x 0.6) screws or quick mount fasteners

**Dimensions** **H** 76.2 mm (3.0"); **W** 17.52 mm (0.69");  
**D** 61.2 mm (2.41")

### Termination

**ASQU** 0.25 in. (6.35 mm) male quick connect terminals

**ASTU** 0.197 in. (5 mm) push-on terminal blocks for up to #14 AWG (2.5 mm<sup>2</sup>) wire

### Environmental

#### Operating/Storage

**Temperature** -40° to 60°C / -40° to 85°C

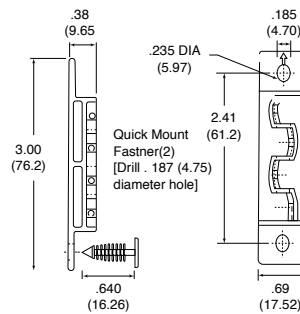
**Humidity** 95% relative, non-condensing

**Weight** ≅ 4 oz (113 g)

\*For CE approved applications, power must be removed from the unit when a switch position is changed.

## Mounting Diagrams

**P0500-178**  
SURFACE MOUNT  
Inches (Millimeters)



**P0500-179**  
DIN RAIL MOUNT  
Inches (Millimeters)

