



Chipsmall Limited consists of a professional team with an average of over 10 year of expertise in the distribution of electronic components. Based in Hongkong, we have already established firm and mutual-benefit business relationships with customers from,Europe,America and south Asia,supplying obsolete and hard-to-find components to meet their specific needs.

With the principle of “Quality Parts,Customers Priority,Honest Operation,and Considerate Service”,our business mainly focus on the distribution of electronic components. Line cards we deal with include Microchip,ALPS,ROHM,Xilinx,Pulse,ON,Everlight and Freescale. Main products comprise IC,Modules,Potentiometer,IC Socket,Relay,Connector.Our parts cover such applications as commercial,industrial, and automotives areas.

We are looking forward to setting up business relationship with you and hope to provide you with the best service and solution. Let us make a better world for our industry!



## Contact us

Tel: +86-755-8981 8866 Fax: +86-755-8427 6832

Email & Skype: info@chipsmall.com Web: www.chipsmall.com

Address: A1208, Overseas Decoration Building, #122 Zhenhua RD., Futian, Shenzhen, China



# SMD ONE PORT SAW RESONATOR

**ASR418S2**



**RoHS**  
Compliant



5.0 x 3.5 x 1.4mm

## FEATURES:

- One port SAW
- Fundamental
- Seam sealed ceramic package assures high reliability
- Low insertion loss 1.2dB typical
- 50 ohms input/output impedance

## APPLICATIONS:

- Transmitter
- Remote controller

## STANDARD SPECIFICATIONS

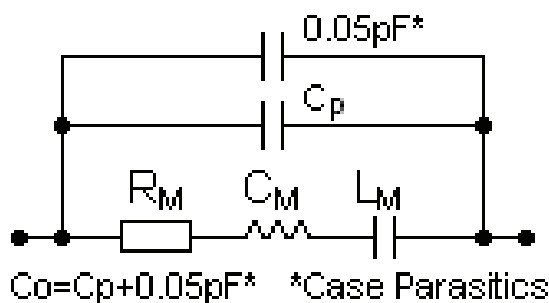
### Key Electrical Specifications

Parameters	Minimum	Typical	Maximum	Units	Notes
Center Frequency ( $f_0$ )	417.925	418.000	418.075	MHz	418MHz±75kHz
Insertion Loss	-----	1.2	1.8	dB	
Quality Factor	-----	10,730	-----		Unloaded Q
	-----	1,400	-----		50Ω loaded Q
Turnover Temperature	25	-----	50	°C	
Turnover Frequency	-----	F0	-----	MHz	
Freq. Temp. Coefficient	-----	0.032	-----	ppm/°C	
Frequency Aging	-----	-----	≤±10	ppm/yr	
DC Insulation Resistance	1.0	-----	-----	MΩ	
Motional Resistance R1	-----	15	23	Ω	
Motional Inductance L1	-----	61.3325	-----	uH	
Motional Capacitance C1	-----	2.3661	-----	fF	
Shunt Static Capacitance C0	2.05	2.35	2.65	pF	
Operation Temperature Range	-40	-----	+85	°C	
Storage Temperature Range	-45	-----	+85	°C	
DC Voltage between terminals	-----	-----	±30	Vdc	
CW RF Power Dissipation	-----	-----	0	dBm	

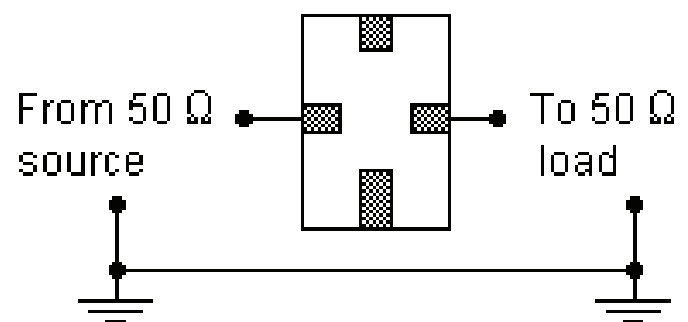
## EQUIVALENT LC MODEL

## TEST CIRCUIT

### Equivalent LC Model



### Test Circuit



# SMD ONE PORT SAW RESONATOR

ASR418S2

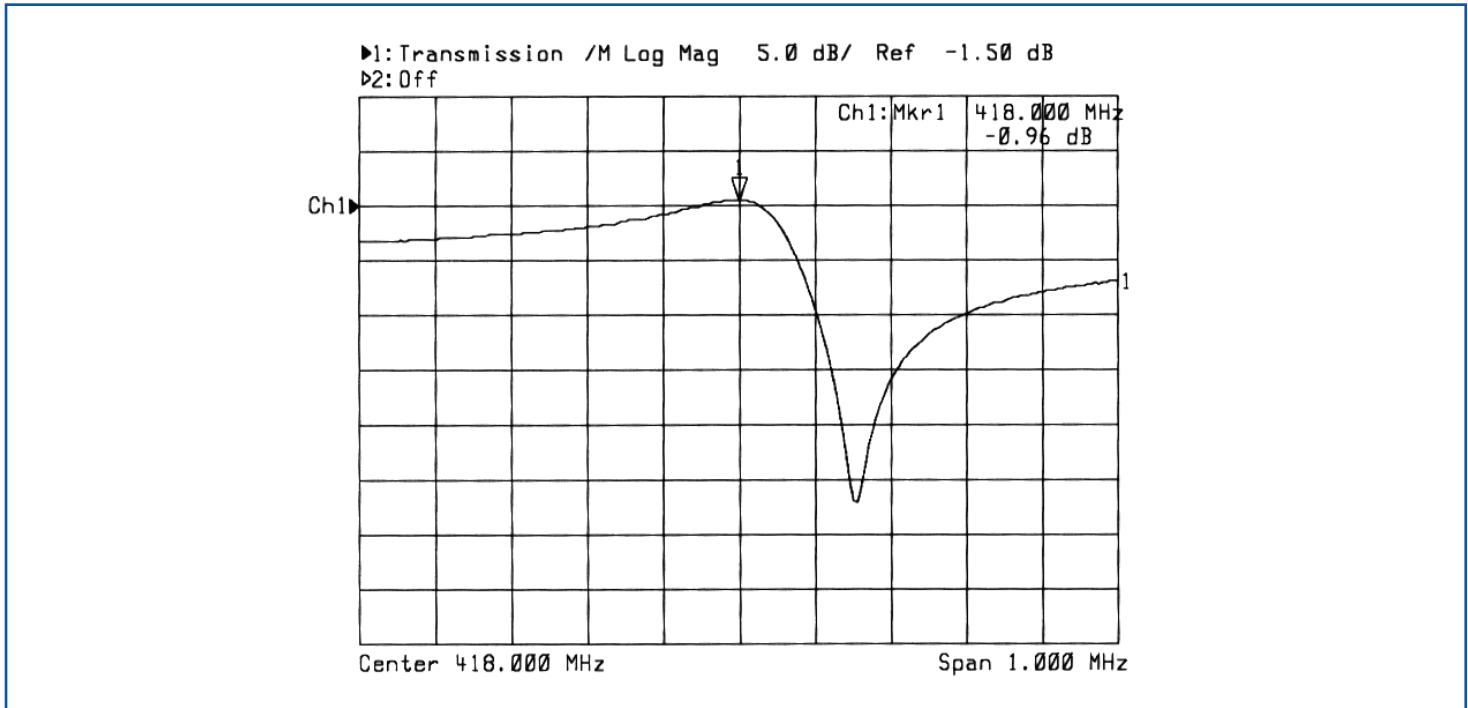


RoHS  
Compliant

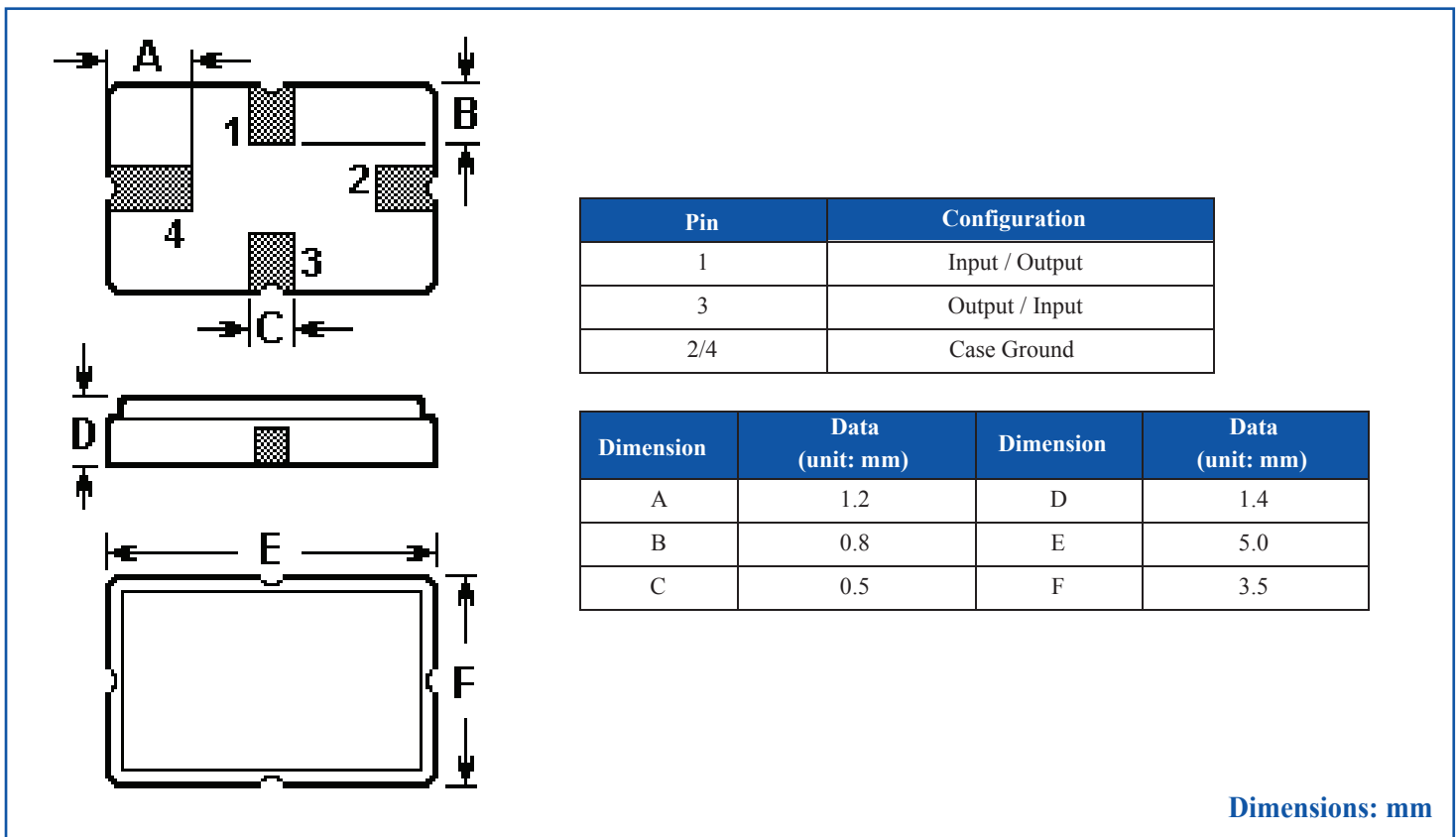


5.0 x 3.5 x 1.4mm

## TYPICAL FREQUENCY RESPONSE



## OUTLINE DIMENSIONS





# SMD ONE PORT SAW RESONATOR

ASR418S2

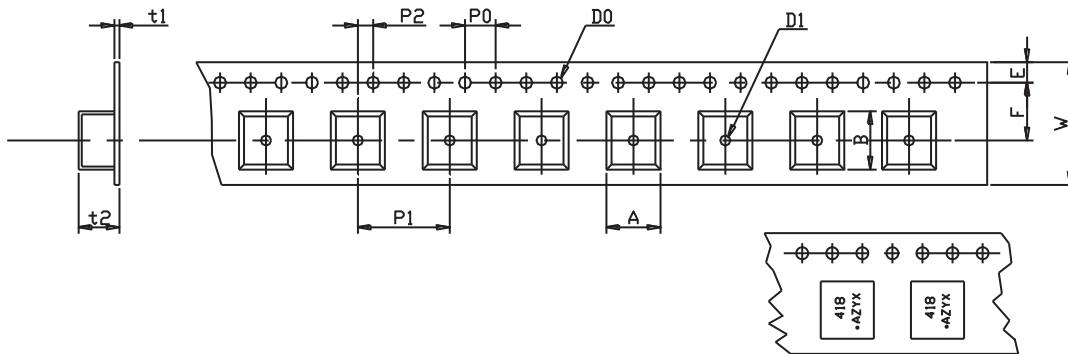


RoHS  
Compliant

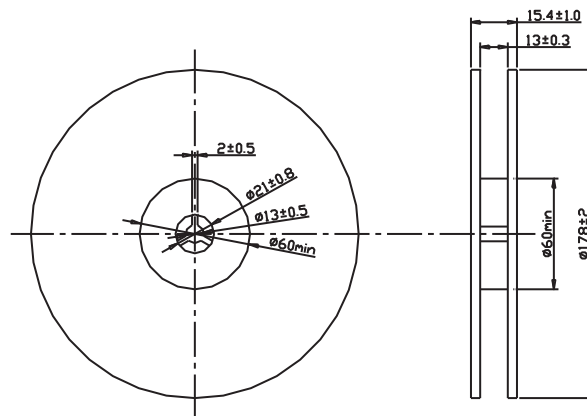


5.0 x 3.5 x 1.4mm

TAPE & REEL: 1000pcs/reel

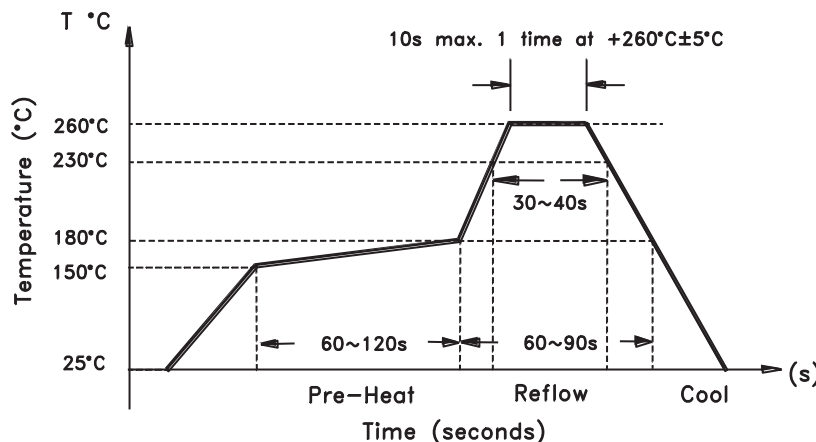


W	F	E	P0	P1	P2	D0	D1	t1	t2	A	B
12.0	5.5	1.75	4.0	8.0	2.0	Φ1.5	Φ1.5	0.31	1.95	3.8	5.3
±0.3	±0.1	±0.1	±0.2	±0.1	±0.2	±0.1	±0.25	max.	max.	max.	max.



Dimensions: mm

## REFLOW PROFILE



**ATTENTION:** Abracon Corporation's products are COTS – Commercial-Off-The-Shelf products; suitable for Commercial, Industrial and, where designated, Automotive Applications. Abracon's products are not specifically designed for Military, Aviation, Aerospace, Life-dependant Medical applications or any application requiring high reliability where component failure could result in loss of life and/or property. For applications requiring high reliability and/or presenting an extreme operating environment, written consent and authorization from Abracon Corporation is required. Please contact Abracon Corporation for more information.

ABRACON IS  
ISO9001:2008  
CERTIFIED



Visit [www.abracon.com](http://www.abracon.com) for Terms & Conditions of Sale **Revised: 02.21.11**

30332 Esperanza, Rancho Santa Margarita, California 92688

tel 949-546-8000 | fax 949-546-8001 | [www.abracon.com](http://www.abracon.com)