



Chipsmall Limited consists of a professional team with an average of over 10 year of expertise in the distribution of electronic components. Based in Hongkong, we have already established firm and mutual-benefit business relationships with customers from,Europe,America and south Asia,supplying obsolete and hard-to-find components to meet their specific needs.

With the principle of “Quality Parts,Customers Priority,Honest Operation,and Considerate Service”,our business mainly focus on the distribution of electronic components. Line cards we deal with include Microchip,ALPS,ROHM,Xilinx,Pulse,ON,Everlight and Freescale. Main products comprise IC,Modules,Potentiometer,IC Socket,Relay,Connector.Our parts cover such applications as commercial,industrial, and automotives areas.

We are looking forward to setting up business relationship with you and hope to provide you with the best service and solution. Let us make a better world for our industry!



## Contact us

Tel: +86-755-8981 8866 Fax: +86-755-8427 6832

Email & Skype: info@chipsmall.com Web: www.chipsmall.com

Address: A1208, Overseas Decoration Building, #122 Zhenhua RD., Futian, Shenzhen, China



# Data Sheet

## ST041xxDDNN

Page 1/4

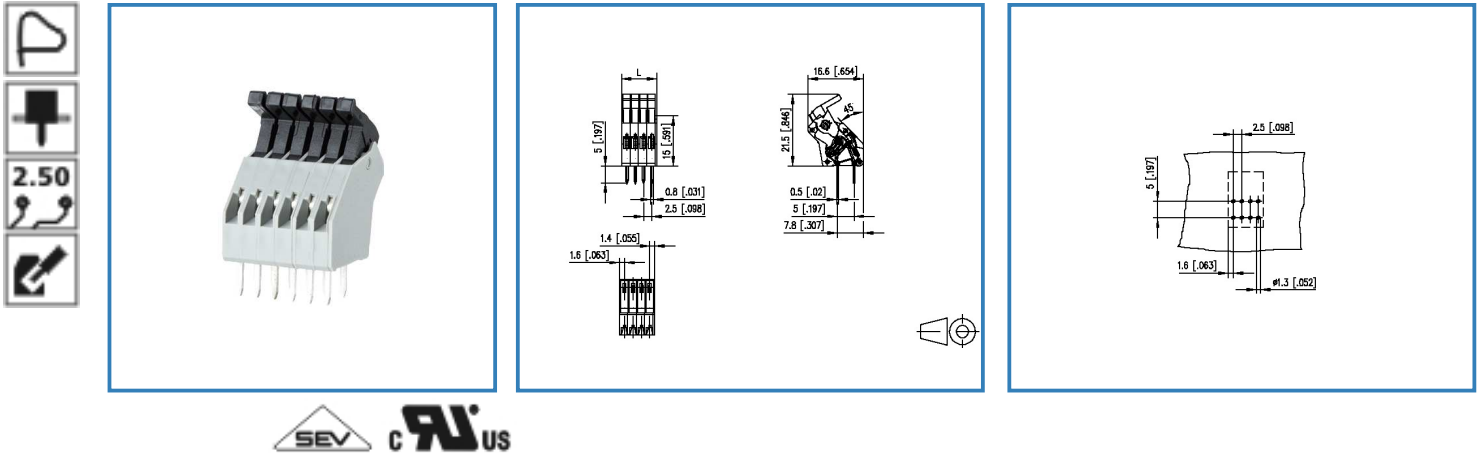
P/N

AST041xx

xx=number of poles

2017/01/25

### Illustration



see enlarged drawing at the end of the document

### Product specification

- spring clamp terminal block, solderable, double solder pins
- centerline 2.50 mm, direction of connection 45°
- color gray
- eccentric lever



# Data Sheet

## ST041xxDDNN

### Technical Data



#### General Data

Solder pin length	5 mm		
min. number of poles	2		
max. number of poles	24		
Insulating material class	CTI 600		
clearance/creepage dist.	1.7 mm		
protection category	IP 20		
Overvoltage category	III	III	II
Pollution degree	3	2	2
Rated voltage	80 V	320 V	320 V
Rated test voltage	2.5 kV	2.5 kV	2.5 kV
Min. insul. strip length	6 mm		

#### Connection data

Rated wiring solid wire	0.2 - 0.5 mm <sup>2</sup> / AWG 28 - 18		
Rated wiring stranded wire	0.2 - 0.5 mm <sup>2</sup> / AWG 28 - 18		

#### Approvals

 V / A / AWG	150 / 8 / 28 - 18		
 0.5 mm <sup>2</sup>	130 V / 6 A / T60		

#### Material

insulating material	PA66
flammability class	V0
spring material	Spring steel
contact material	CuZn
Glow-Wire Flammability GWFI	960
Glow-Wire Flammability GWIT	775
contact surface	Ni + Sn

#### Climatic properties

upper limit temperature	105 °C
lower limit temperature	-40 °C

#### General

solderability	Acc. to JEDEC JESD22-B102E 245°C/5s
Tolerance	ISO 2768 -mH

# Data Sheet

## ST041xxDDNN

Page 3/4

P/N

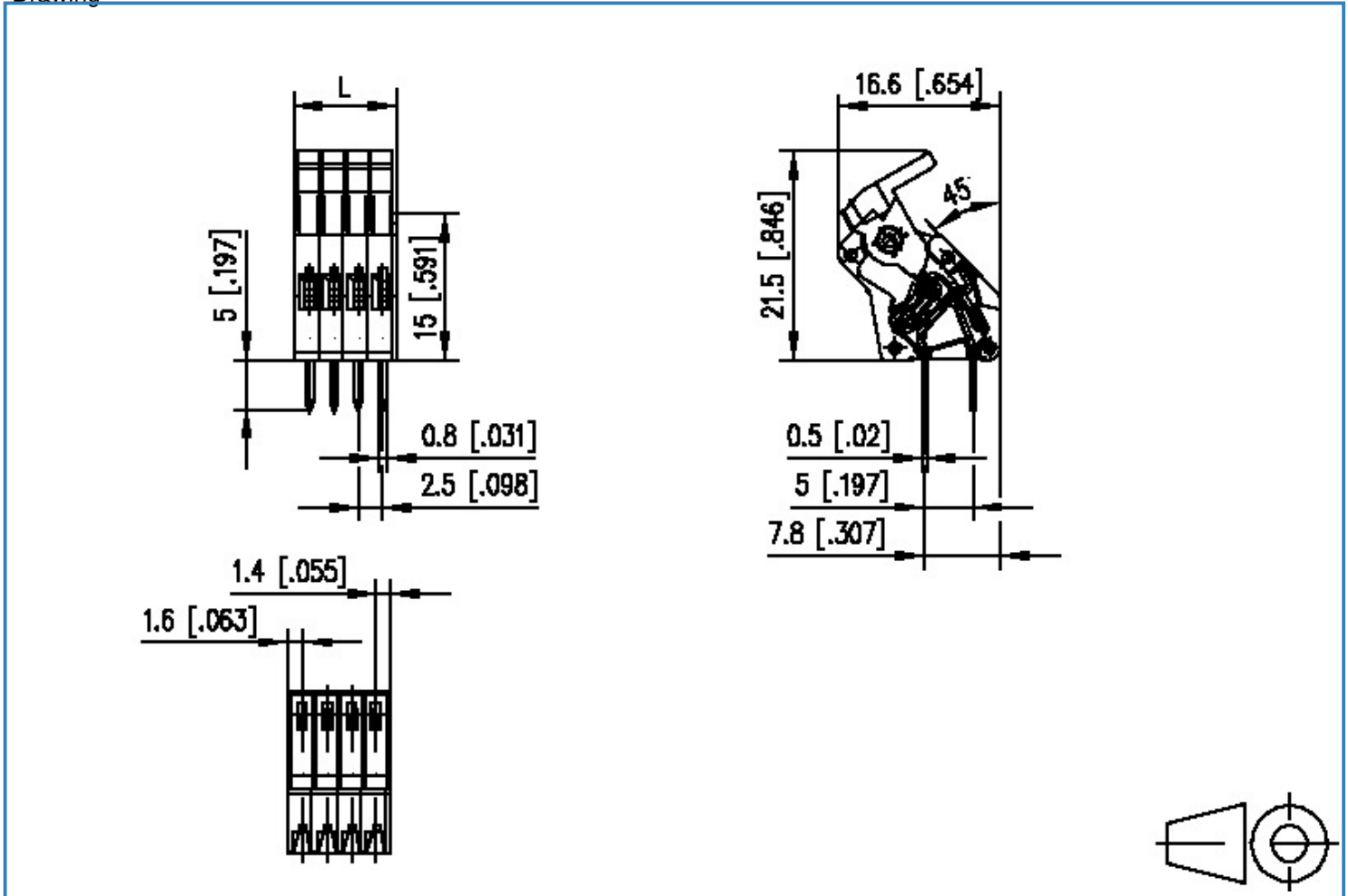
AST041xx

xx=number of poles

2017/01/25

### Illustration

Drawing



$L = (\text{pole size} - 1) \times \text{centerline} + 3 [0.118]$



# Data Sheet

## ST041xxDDNN

Page 4/4

P/N

AST041xx

xx=number of poles

2017/01/25

PCB Layout

