



Chipsmall Limited consists of a professional team with an average of over 10 year of expertise in the distribution of electronic components. Based in Hongkong, we have already established firm and mutual-benefit business relationships with customers from,Europe,America and south Asia,supplying obsolete and hard-to-find components to meet their specific needs.

With the principle of “Quality Parts,Customers Priority,Honest Operation,and Considerate Service”,our business mainly focus on the distribution of electronic components. Line cards we deal with include Microchip,ALPS,ROHM,Xilinx,Pulse,ON,Everlight and Freescale. Main products comprise IC,Modules,Potentiometer,IC Socket,Relay,Connector.Our parts cover such applications as commercial,industrial, and automotives areas.

We are looking forward to setting up business relationship with you and hope to provide you with the best service and solution. Let us make a better world for our industry!



## Contact us

Tel: +86-755-8981 8866 Fax: +86-755-8427 6832

Email & Skype: info@chipsmall.com Web: www.chipsmall.com

Address: A1208, Overseas Decoration Building, #122 Zhenhua RD., Futian, Shenzhen, China



**Sales Outline Drawing**

Revision **A**

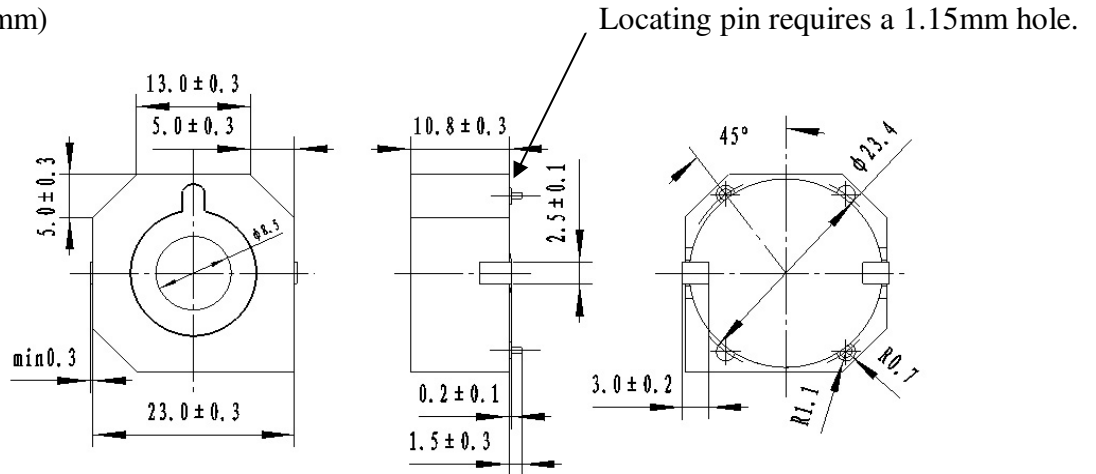
Obsolete- Possible substitutes include AST1750MATRQ (SMT), AST1575BMATRQ (SMT), PT-2040PQ (thru-hole), PT-3534FPQ (thru-hole extra-loud)

Oscillation Frequency (Hz)	4000 ± 500
Operating Voltage (Vp-p)	1 ~ 30
Rated Voltage (Vp-p)	9.0
Current Consumption Max. (mA)	8.0 at Rated Voltage
Sound Pressure Level (dB/min)	100 at 10cm at Rated Voltage
Capacitance (pF)	12,000 ± 30% at 120 Hz
Operating Temperature (°C)	-30 ~ +70
Storage Temperature (°C)	-40 ~ +80
Type of Connection Terminal	SMD
Housing	PPS plastic resin (Color : Black)
Weight (Grams)	5.5
Condition by reflow soldering (°C)	245 ± 5 / 1 min
Condition by hand soldering (°C)	350 ± 20 / within 5 sec
Options	For other options contact factory

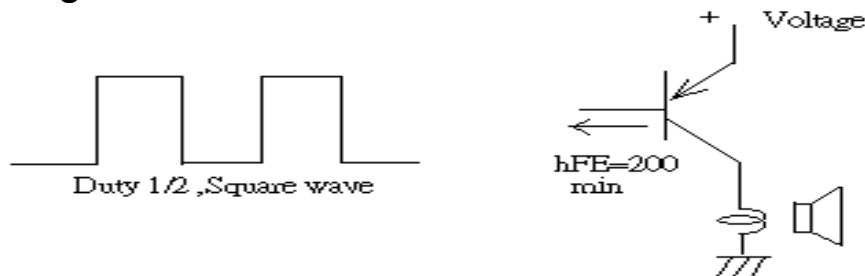
PS : Vp-p=1/2duty, square wave

RoHS Compliant

**Dimensions:** (units: mm)



**Recommend Driving Circuit**



**Packaging:**

Parts are supplied on reels (150 pcs per tape and reel).