



Chipsmall Limited consists of a professional team with an average of over 10 year of expertise in the distribution of electronic components. Based in Hongkong, we have already established firm and mutual-benefit business relationships with customers from,Europe,America and south Asia,supplying obsolete and hard-to-find components to meet their specific needs.

With the principle of "Quality Parts,Customers Priority,Honest Operation,and Considerate Service",our business mainly focus on the distribution of electronic components. Line cards we deal with include Microchip,ALPS,ROHM,Xilinx,Pulse,ON,Everlight and Freescale. Main products comprise IC,Modules,Potentiometer,IC Socket,Relay,Connector.Our parts cover such applications as commercial,industrial, and automotives areas.

We are looking forward to setting up business relationship with you and hope to provide you with the best service and solution. Let us make a better world for our industry!



Contact us

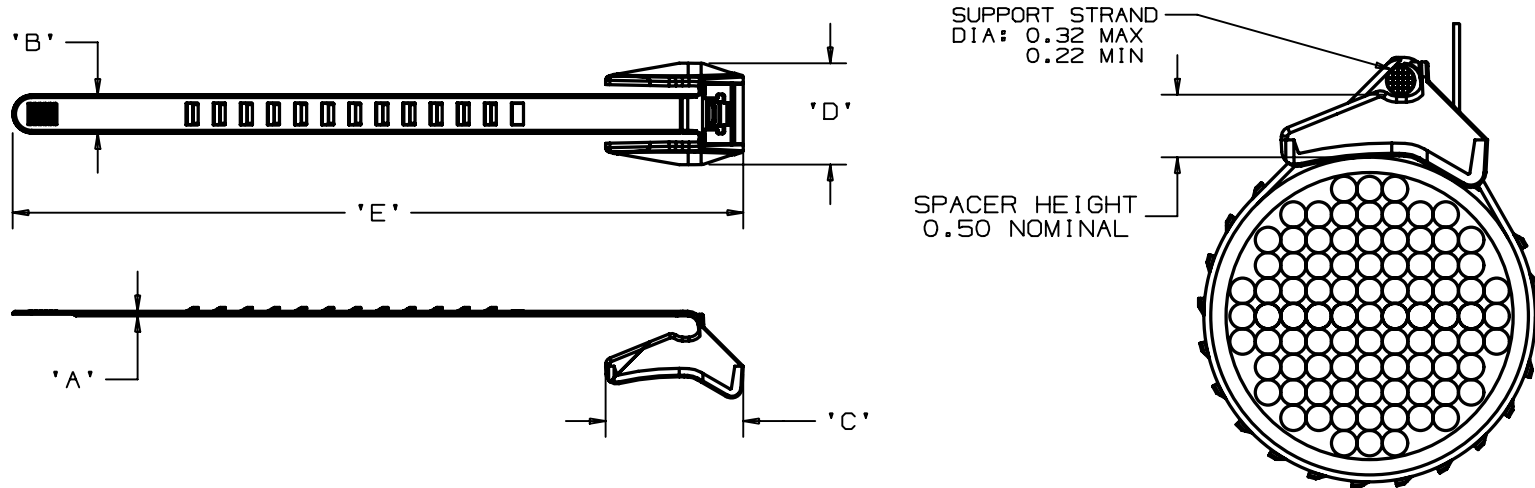
Tel: +86-755-8981 8866 Fax: +86-755-8427 6832

Email & Skype: info@chipsmall.com Web: www.chipsmall.com

Address: A1208, Overseas Decoration Building, #122 Zhenhua RD., Futian, Shenzhen, China



THIS COPY IS PROVIDED ON A RESTRICTED BASIS AND IS NOT TO BE USED IN ANY WAY DETRIMENTAL TO THE INTERESTS OF PANDUIT CORP.



PANDUIT PART NO.	BUNDLE DIA		'A'	'B'	'C'	'D'	'E'	MINIMUM LOOP TENSILE lbs/(N)	WEIGHT lbs(g)/100 pcs
	MIN	MAX							
AST10-5	0.25 (6.4)	1.0 (25.4)	0.055 (1.4)	0.448 (11.4)	1.59 (40.4)	1.16 (29.5)	5.6 (142)	75 (334)	1.3 (590)
AST15-5	0.25 (6.4)	1.5 (38.1)					6.9 (175)		1.4 (636)
AST20-5	0.25 (6.4)	2.0 (50.8)					8.4 (214)		1.5 (681)
AST25-5	0.25 (6.4)	2.5 (63.5)					10.0 (254)		1.6 (726)

NOTES:
1. SEE CURRENT PRICE SHEET FOR PART NUMBER SUFFIX DESIGNATION FOR PACKAGE SIZE.

DIMENSIONS IN BRACKETS ARE METRIC [mm]

CAD FILENAME/LAYERS G00239GY_DC_AST_03

PANDUIT

CORP. TINLEY PARK, ILLINOIS

AST__-5
AERIAL SUPPORT TIE

UNLESS OTHERWISE SPECIFIED, DIMENSIONAL TOLERANCES ARE:
(.X) ±0.05 (1.3) (.XXX) ±0.010 (0.25)
(.XX) ±0.02 (0.5) ANGLES ± 5°

UNLESS OTHERWISE SPECIFIED, ALL DIMENSIONS ARE GIVEN IN INCHES, THIRD ANGLE PROJECTION.

DRAWN BY CGSM

MAT'L: WEATHER RESISTANT POLYPROPYLENE BLACK

SCALE 1/2

DATE 1-22-01

DRAWING NO.

CHK'D

G00239GY

DWG SIZE A

REV	DATE	BY	CHK	DESCRIPTION	ECN	R	CUST	SUP
3	8-4-05	TMSA		ADDED DIMENSION "A" FOR AST25-5 THICKER STRAP MODIFICATION	GB0239GY	3		
2	11/29/04	JAD		CHANGED DIMS ON 'D' WAS 1.16(29.6) NOW 1.16 (29.5)	GB0239GY	2		
1	2/15/02	LGG		CHANGED DIMS ON 'D' WAS 1.165(29.6) NOW 1.16 (29.6)	GB0239GY	1		
R	1-22-01	CGSM		INITIAL RELEASE	GB0239GY	R		