



Chipsmall Limited consists of a professional team with an average of over 10 year of expertise in the distribution of electronic components. Based in Hongkong, we have already established firm and mutual-benefit business relationships with customers from,Europe,America and south Asia,supplying obsolete and hard-to-find components to meet their specific needs.

With the principle of “Quality Parts,Customers Priority,Honest Operation,and Considerate Service”,our business mainly focus on the distribution of electronic components. Line cards we deal with include Microchip,ALPS,ROHM,Xilinx,Pulse,ON,Everlight and Freescale. Main products comprise IC,Modules,Potentiometer,IC Socket,Relay,Connector.Our parts cover such applications as commercial,industrial, and automotives areas.

We are looking forward to setting up business relationship with you and hope to provide you with the best service and solution. Let us make a better world for our industry!



## Contact us

Tel: +86-755-8981 8866 Fax: +86-755-8427 6832

Email & Skype: info@chipsmall.com Web: www.chipsmall.com

Address: A1208, Overseas Decoration Building, #122 Zhenhua RD., Futian, Shenzhen, China



4			3		2		1
ITEM	CONNECTOR PART NO.	DESCRIPTION	IPI CHECK	FOR CHECK	Applicable Tooling		
1	SYM-41T-P0.5A	YL CONNECTOR - MALE CONTACT			APPLICATOR		
2	SYF-41T-P0.5A	YL CONNECTOR - FEMALE CONTACT					
3	UL1015, 16 AWG	BLACK					

**Applicable Housings**

NO. OF CIRCUITS	HOUSING PART NO. FOR FEMALE CONTACT	HOUSING PART NO. WITH PANEL LOCKS FOR MALE CONTACT	HOUSING PART NO. WITHOUT PANEL LOCKS FOR MALE CONTACT
1	YLP-01V	-	YLR-01VF
2	YLP-02V	YLR-02V	YLR-02VF
3	YLP-03V	YLR-03V	YLR-03VF
4	YLP-04V	YLR-04V	YLR-04VF
6	YLP-06V	YLR-06V	YLR-06VF
8	YLP-08V	YLR-08V	YLR-08VF
9	YLP-09V	YLR-09V	-
12	YLP-12VA	YLR-12VA	-
15	YLP-15V	YLR-15V	-
16	YLP-16V	YLR-16V	-
21	YLP-21V	YLR-21V	-

D

D

C

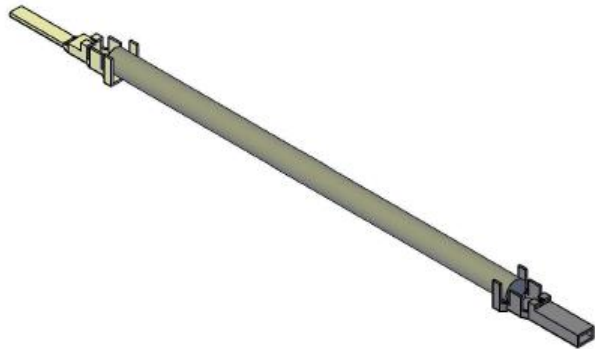
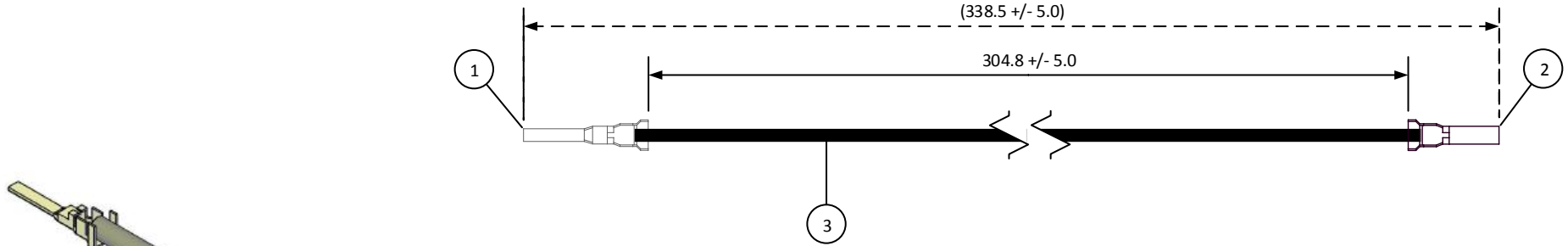
C

B

B

A

A



SCALE	CUSTOMER NAME	CUSTOMER PART NO.
1: 1		
DIMENSIONS	DESCRIPTION	
All dimensions are in MM with a tolerance of +/- 3.0 unless otherwise specified.	4.5 mm Pitch YL Series Standard Leads - 12" Inside Length DOUBLE-END LEADS, M-F	
DRAWN BY	ASSEMBLY PART NO.	
STEVEN PILKINGTON	ASYMSYF16K305	
CHECKED BY	DRAWING NO. & REVISION	REVISED
JUSTIN BAKER	GAM-093	3/9/2016

REV.	DESCRIPTION	DATE	BY

4

3

2

1