



Chipsmall Limited consists of a professional team with an average of over 10 year of expertise in the distribution of electronic components. Based in Hongkong, we have already established firm and mutual-benefit business relationships with customers from,Europe,America and south Asia,supplying obsolete and hard-to-find components to meet their specific needs.

With the principle of “Quality Parts,Customers Priority,Honest Operation,and Considerate Service”,our business mainly focus on the distribution of electronic components. Line cards we deal with include Microchip,ALPS,ROHM,Xilinx,Pulse,ON,Everlight and Freescale. Main products comprise IC,Modules,Potentiometer,IC Socket,Relay,Connector.Our parts cover such applications as commercial,industrial, and automotives areas.

We are looking forward to setting up business relationship with you and hope to provide you with the best service and solution. Let us make a better world for our industry!



Contact us

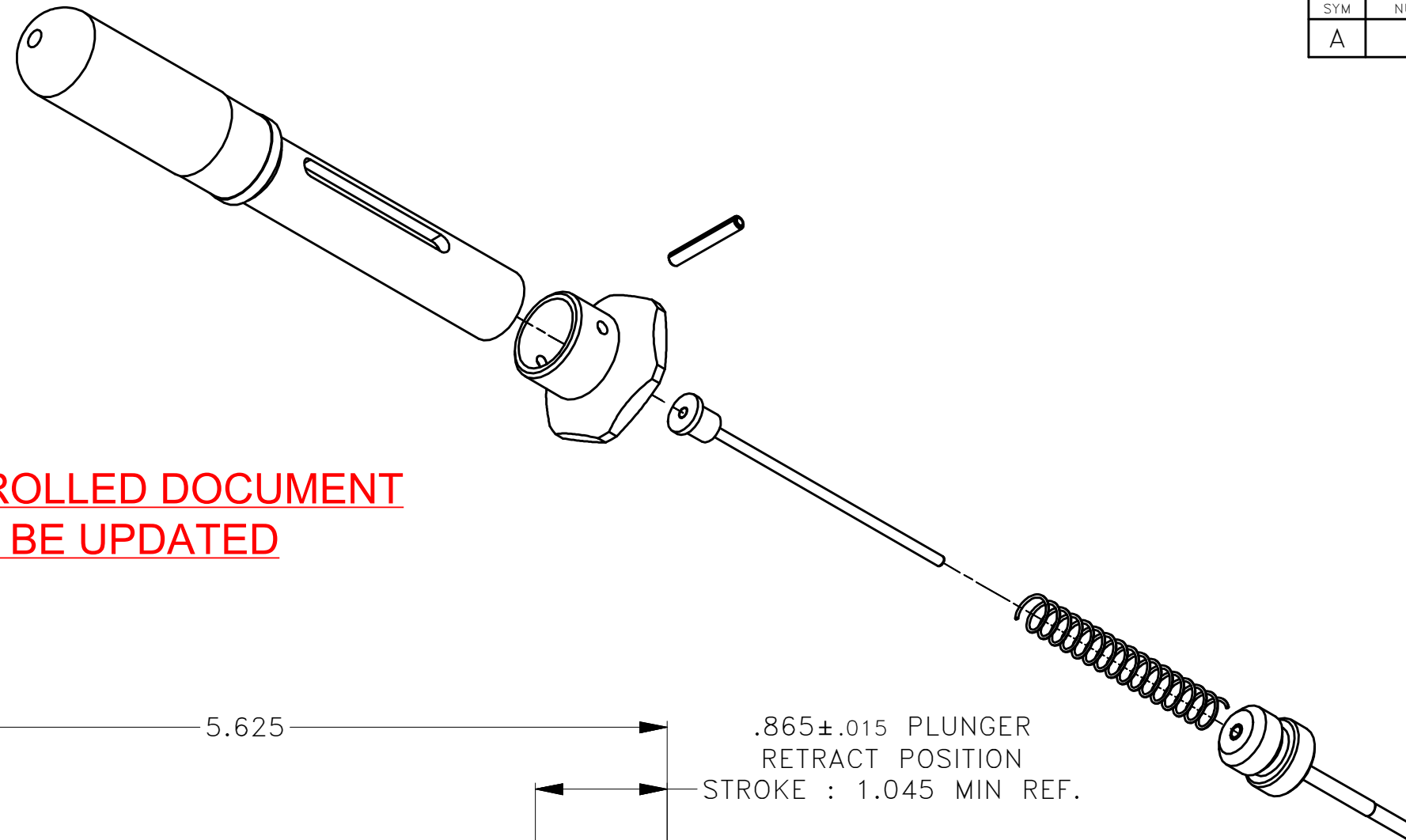
Tel: +86-755-8981 8866 Fax: +86-755-8427 6832

Email & Skype: info@chipsmall.com Web: www.chipsmall.com

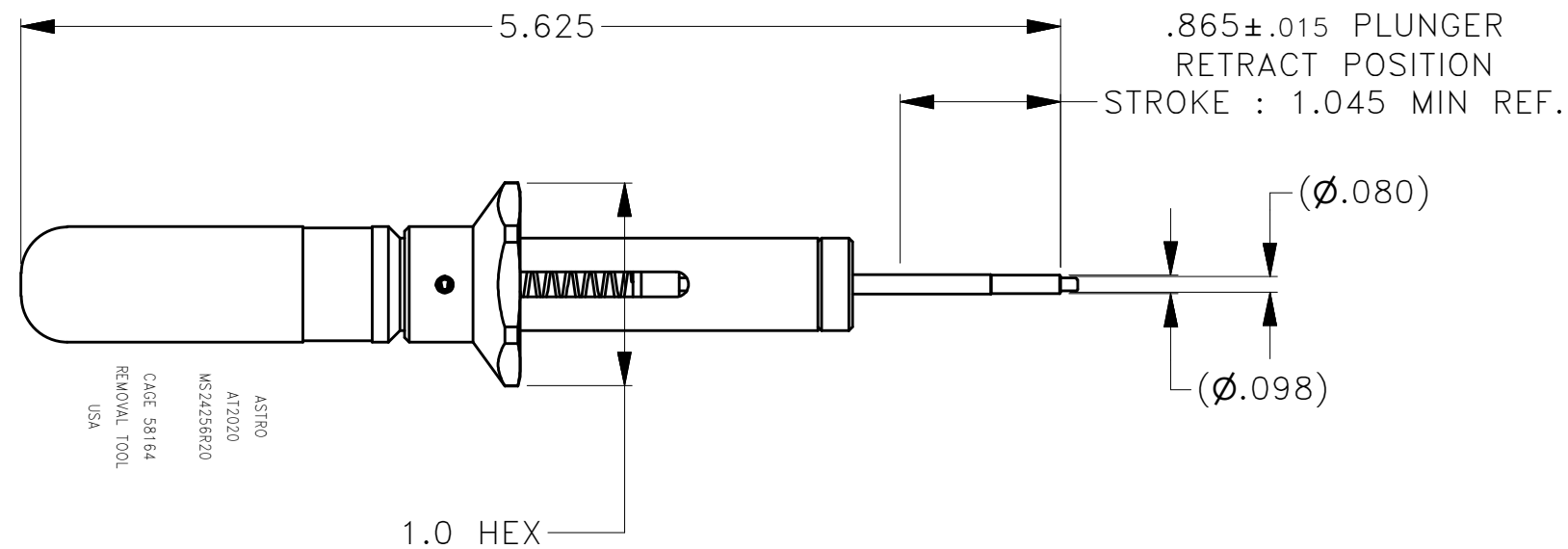
Address: A1208, Overseas Decoration Building, #122 Zhenhua RD., Futian, Shenzhen, China



REVISIONS				
REV SYM	ECO NUMBER	DESCRIPTION	BY DATE	APP'D DATE
A		NEW RELEASE	DYO	MK 08-02-10




**UNCONTROLLED DOCUMENT
WILL NOT BE UPDATED**



ASTRO
A12020
MS24256R20
CAGE 58164
REMOVAL TOOL
USA

- NOTES:
 1. THIS IS AN ICAD DRAWING DO NOT CHANGE MANUALLY.
 2. COLOR CODE: RED

THESE DRAWINGS, SPECIFICATIONS OR OTHER DATA ARE THE PROPERTY OF ASTRO TOOL CORP. AND MUST BE RETURNED UPON REQUEST. THEY CONTAIN INFORMATION OWNED AND/OR DEVELOPED BY ASTRO AT ITS OWN PRIVATE EXPENSE AND MAY NOT BE USED, DUPLICATED OR DISCLOSED TO OTHERS, IN WHOLE OR IN PART FOR DESIGN, MANUFACTURE, OR PROCUREMENT WITHOUT THE WRITTEN PERMISSION OF ASTR TOOL CORP. EACH AND EVERY TIME. CREATED FROM AN INVENTOR MODEL. CHANGES MUST BE REFLECTED IN THE 3D PART DO NOT SCALE DRAWING	MATERIAL	N/A	ITEM	PART NO.	QTY.	DESCRIPTION/REMARKS
	HEAT TREAT	N/A	DRN. J.MATTHEWS	DATE 08-02-10	 CAGE 58164 21615 S.W. THIALATIN VALLEY HWY. BEAVERTON OR 97006	
	FINISH	N/A	CHK'D. MK	DATE 08-02-10		
				APP'D.	DATE	TITLE
			APP'D.	DATE	ENVELOPE DRAWING: AT 2020 REM TOOL (20 GA.)MS24256R20	
			TOLERANCE:		WHERE USED:	
			UNLESS OTHERWISE SPECIFIED FRACTIONS ± 1/32 ANGLES ± 1° DECIMAL INCHES:		SIZE	SCALE
			.X ± .030 .XX ± .010 .XXX ± .005 .XXXX ± .0005 REMOVE BURRS AND BREAK SHARP EDGES .005-.015		B	N.T.S.
					CAD P/N	SHEET OF
					AT 2020_env	10F1
					POSTING	REV.
					AT 2020-ENV	A