



Chipsmall Limited consists of a professional team with an average of over 10 year of expertise in the distribution of electronic components. Based in Hongkong, we have already established firm and mutual-benefit business relationships with customers from,Europe,America and south Asia,supplying obsolete and hard-to-find components to meet their specific needs.

With the principle of "Quality Parts,Customers Priority,Honest Operation,and Considerate Service",our business mainly focus on the distribution of electronic components. Line cards we deal with include Microchip,ALPS,ROHM,Xilinx,Pulse,ON,Everlight and Freescale. Main products comprise IC,Modules,Potentiometer,IC Socket,Relay,Connector.Our parts cover such applications as commercial,industrial, and automotives areas.

We are looking forward to setting up business relationship with you and hope to provide you with the best service and solution. Let us make a better world for our industry!



Contact us

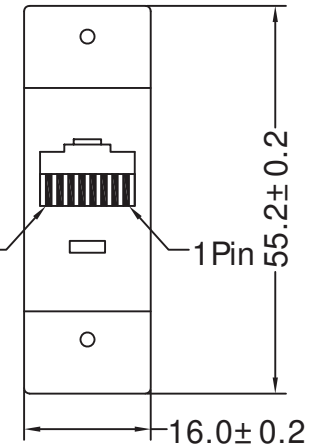
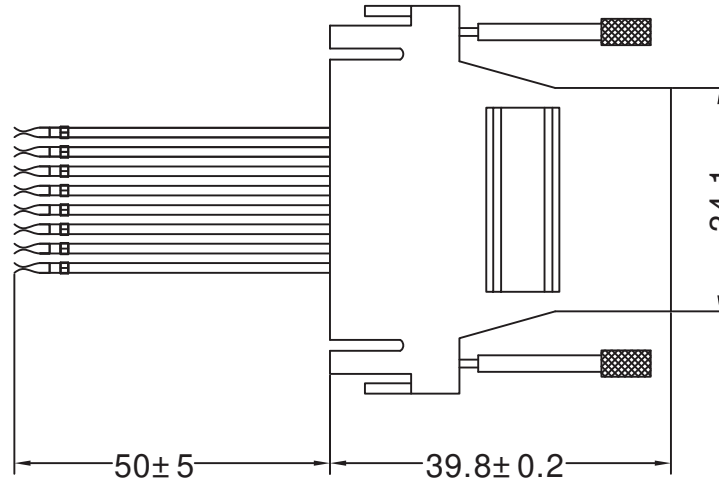
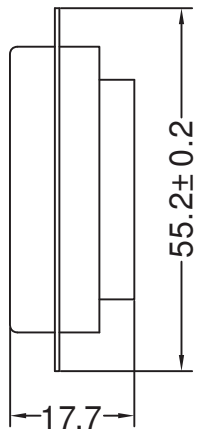
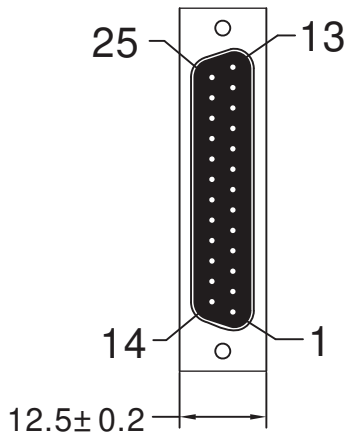
Tel: +86-755-8981 8866 Fax: +86-755-8427 6832

Email & Skype: info@chipsmall.com Web: www.chipsmall.com

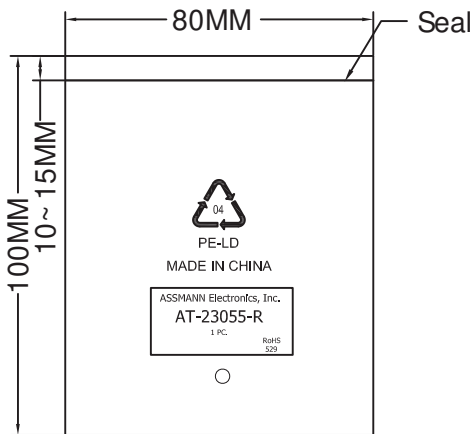
Address: A1208, Overseas Decoration Building, #122 Zhenhua RD., Futian, Shenzhen, China



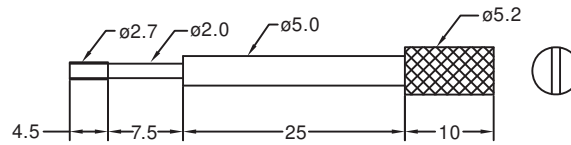
P1



P2



1PCS/PE Bag



Pin Assignment

P1	P2
Blue	1
Orange	2
Black	3
Red	4
Green	5
Yellow	6
Brown	7
White	8

Material:

- Cable: UL 26AWG, 60MM
 - Blue, Orange, Black, Red, Green, Yellow, Brown, White
- P1 Connector: D-Sub 25-Pin Female
 - Crimp Type
 - Black Insulation
- P2 Connector: RJ45 8P8C Female 3μ"
- Color: Beige
- PVC Housing
- Thumbscrew: 5* 37MM

Unit: mm



Scale	1:1						Date	Name
TOLERANCE						Drawn	22.11.11	Chappell
X.X	±0.40					Approved		
X.XX	±0.25							
X.XXX	±0.15							
DIM	TOL							
X.°	±3°							
X.X°	±X°							
Angle	TOL	Id.	Modification	Date	Name			

Title	D-Sub Modular Adapter	
	25 Pin Female ↔ RJ45 Female, Beige	
ASSMANN WSW-No.	AT-23055	
Drawing-No.		rev00
Replace		Sheet 1/1

