



Chipsmall Limited consists of a professional team with an average of over 10 year of expertise in the distribution of electronic components. Based in Hongkong, we have already established firm and mutual-benefit business relationships with customers from,Europe,America and south Asia,supplying obsolete and hard-to-find components to meet their specific needs.

With the principle of “Quality Parts,Customers Priority,Honest Operation,and Considerate Service”,our business mainly focus on the distribution of electronic components. Line cards we deal with include Microchip,ALPS,ROHM,Xilinx,Pulse,ON,Everlight and Freescale. Main products comprise IC,Modules,Potentiometer,IC Socket,Relay,Connector.Our parts cover such applications as commercial,industrial, and automotives areas.

We are looking forward to setting up business relationship with you and hope to provide you with the best service and solution. Let us make a better world for our industry!



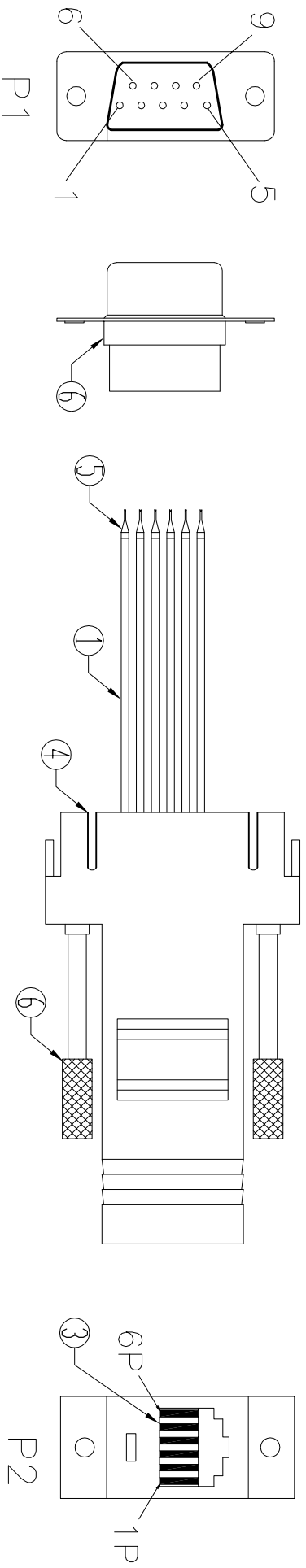
## Contact us

Tel: +86-755-8981 8866 Fax: +86-755-8427 6832

Email & Skype: info@chipsmall.com Web: www.chipsmall.com

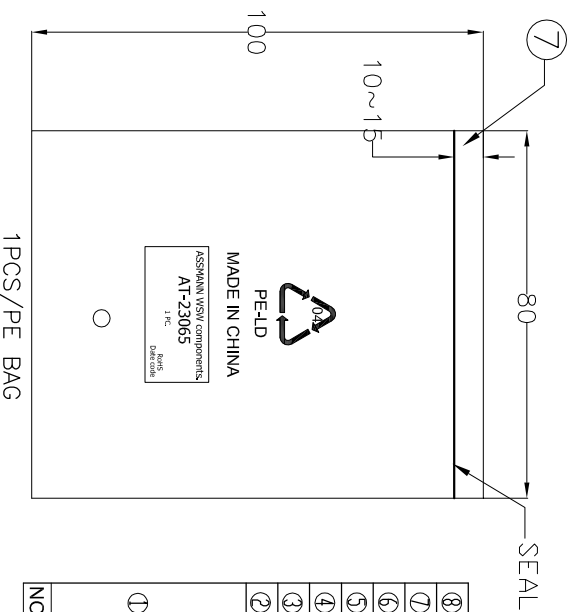
Address: A1208, Overseas Decoration Building, #122 Zhenhua RD., Futian, Shenzhen, China





PIN ASSIGNMENT

|        |    |
|--------|----|
| P1     | P2 |
| BLUE   | 1  |
| YELLOW | 2  |
| GREEN  | 3  |
| RED    | 4  |
| BLACK  | 5  |
| WHITE  | 6  |



|   |                       |      |   |
|---|-----------------------|------|---|
| ⑧ | PE BAG                | 1/10 | CLEAR SIZE: 170*250*0.05mm PRINT BLACK"MADE IN CHINA"+"10PCS" |
| ⑦ | PE BAG                | 1    | CLEAR SIZE: 80*100*0.05mm PRINT BLACK"MADE IN CHINA" +"1PC"   |
| ⑥ | SCREW                 | 2    | THUMESCREW 4*37MM   |
| ⑤ | TER                   | 6    | DB 9P FEMALE TER G/F  |
| ④ | ADAPTER               | 1    | 組裝壳 DB9P/RJ12 BEIGE   |
| ③ | CONN                  | 1    | RJ12 6P6C JACK PIN 3U"  |
| ② | CONN                  | 1    | DB 9P FEMALE BLACK INSULATION                                 |
| ① | CABLE                 | 1    | UL 26AWG BLUE L=60mm  |
|   |                       | 1    | UL 26AWG YELLOW L=60mm  |
|   |                       | 1    | UL 26AWG GREEN L=60mm   |
|   |                       | 1    | UL 26AWG RED L=60mm   |
| 1 | UL 26AWG BLACK L=60mm |      |   |
| 1 | UL 26AWG WHITE L=60mm |      |   |

SPECIFICATION

RoHS compliant

Unit: mm

|           |      |       |              |            |      |            |      |              |                  |
|-----------|------|-------|--------------|------------|------|------------|------|--------------|------------------|
| Scale     | Free |       |              |            |      |            |      |              |                  |
| TOLERANCE |      |       |              |            |      |            |      |              |                  |
| DIM       | TOL  |       |              |            |      |            |      |              |                  |
| Angle     | TOL  |       |              |            |      |            |      |              |                  |
| Id.       | ①    | Drawn | Modification | Date       | Name | Date       | Name | Customer-No. | ASSMANN WSWV-No. |
|           |      |       |              | 20.02.2017 | Amy  | 20.02.2017 | Amy  |              | AT-23065         |
|           |      |       |              |            |      |            |      | Drawing-No.  | ASS 7853 CA      |
|           |      |       |              |            |      |            |      | Replace      | rev00            |



1 2 3 4 5 6 7

|   |   |   |   |   |   |   |   |
|---|---|---|---|---|---|---|---|
| A | 1 | 2 | 3 | 4 | 5 | 6 | 7 |
| B | 1 | 2 | 3 | 4 | 5 | 6 | 7 |
| C | 1 | 2 | 3 | 4 | 5 | 6 | 7 |
| D | 1 | 2 | 3 | 4 | 5 | 6 | 7 |
| E | 1 | 2 | 3 | 4 | 5 | 6 | 7 |
| F | 1 | 2 | 3 | 4 | 5 | 6 | 7 |
| G | 1 | 2 | 3 | 4 | 5 | 6 | 7 |
| H | 1 | 2 | 3 | 4 | 5 | 6 | 7 |