



Chipsmall Limited consists of a professional team with an average of over 10 year of expertise in the distribution of electronic components. Based in Hongkong, we have already established firm and mutual-benefit business relationships with customers from,Europe,America and south Asia,supplying obsolete and hard-to-find components to meet their specific needs.

With the principle of “Quality Parts,Customers Priority,Honest Operation,and Considerate Service”,our business mainly focus on the distribution of electronic components. Line cards we deal with include Microchip,ALPS,ROHM,Xilinx,Pulse,ON,Everlight and Freescale. Main products comprise IC,Modules,Potentiometer,IC Socket,Relay,Connector.Our parts cover such applications as commercial,industrial, and automotives areas.

We are looking forward to setting up business relationship with you and hope to provide you with the best service and solution. Let us make a better world for our industry!



Contact us

Tel: +86-755-8981 8866 Fax: +86-755-8427 6832

Email & Skype: info@chipsmall.com Web: www.chipsmall.com

Address: A1208, Overseas Decoration Building, #122 Zhenhua RD., Futian, Shenzhen, China



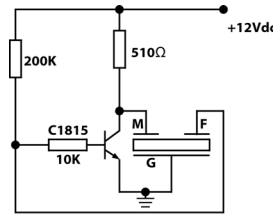
SPECIFICATIONS

PARAMETERS	VALUES	UNIT
RATED VOLTAGE	12	Vdc
OPERATING VOLTAGE RANGE	1.5 ~ 24	Vdc
RATED CURRENT (MAX)	12	mA
CAPACITANCE (MAIN)	30,000 ± 30%	pF
CAPACITANCE (FEEDBACK)	2,900 ± 30%	pF
MINIMUM SPL @ 10 CM CIRCUIT#1	90	dBA
MINIMUM SPL @ 10 CM CIRCUIT#2	98	dBA
MINIMUM SPL @ 10 CM CIRCUIT#3	75	dBA
RESONANT FREQUENCY	3,500 ± 500	Hz
OPERATING TEMPERATURE	-20 ~ +70	°C
STORAGE TEMPERATURE	-30 ~ +80	°C
HOUSING MATERIAL	PBT	-
TERMINAL MATERIAL	TIN/NICKEL PLATED COPPER	-
WEIGHT	5	grams

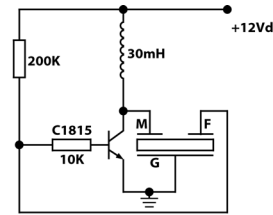
THIS DOCUMENT CONTAINS DATA PROPRIETARY TO PROJECTS UNLIMITED, INC. ANY USE OR REPRODUCTION, IN ANY FORM, WITHOUT PRIOR WRITTEN PERMISSION OF PROJECTS UNLIMITED, INC. IS PROHIBITED.
©2003, Projects Unlimited Inc.

REVISION HISTORY

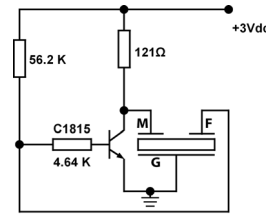
LTR	DESCRIPTION	DATE	APPROVED
-	RELEASED FROM ENGINEERING	10/07/2005	
A	REVISED TO INVENTOR 3-D DRAWING TEMPLATE	9/11/2008	B.R.
B	REVISED CAPACITANCE AND ADDED CIRCUIT# 3	9/5/2012	B.R.



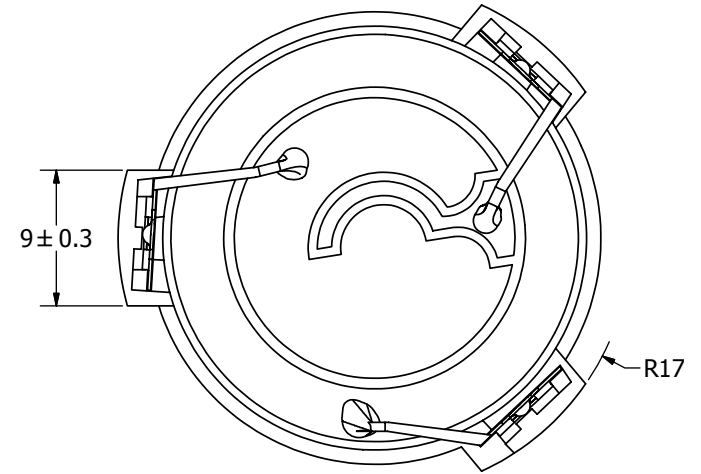
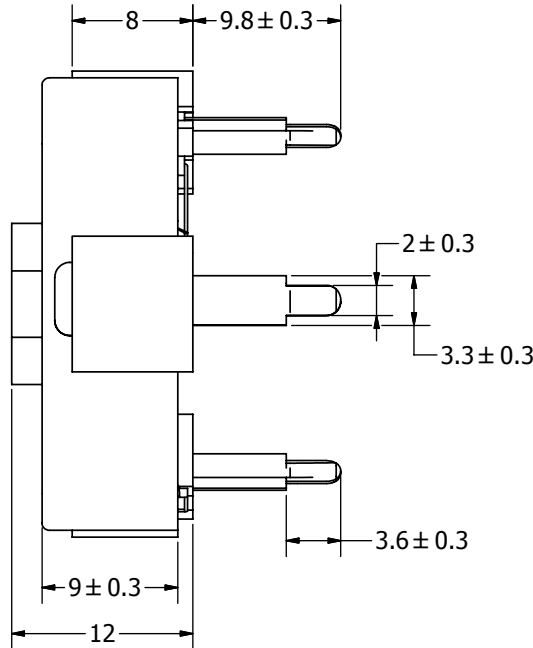
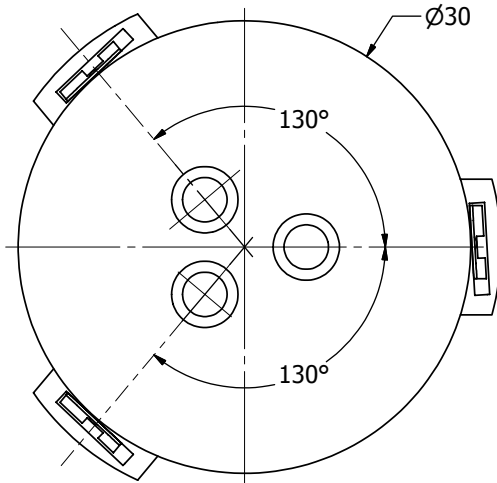
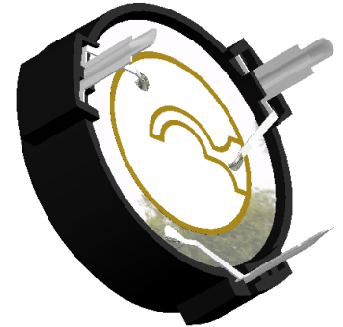
CIRCUIT #1



CIRCUIT #2

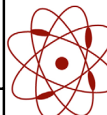


CIRCUIT #3



NOTES:

1. ALL DIMENSIONS ARE IN MILLIMETERS.
2. SPECIFICATIONS SUBJECT TO CHANGE OR WITHDRAWL WITHOUT NOTICE.
3. THE SOUND PRESSURE IS MEASURED BY USING THE REFERENCE DRIVING CIRCUITS SHOWN, CIRCUIT #2 HAS A HIGHER SPL.
4. THIS PART IS RoHS 2002/95/EC COMPLIANT.

UNLESS OTHERWISE SPECIFIED: DIMENSIONS ARE IN MILLIMETERS, TOLERANCES ARE ±0.5 AND ANGLES ARE ±3°.	SIZE	Designed by	Date	Checked by	Date	Approved by	Date	Drawn Date		
	A3	J.A.F.	10/7/2005	B.R.	10/7/2005	E.P.	10/7/2005	9/10/2008		
AT-3035-TT-R.idw		 pui audio a projects unlimited company		AT-3035-TT-R			Transducer (Piezo)		Edition -	Sheet 1 / 1