



Chipsmall Limited consists of a professional team with an average of over 10 year of expertise in the distribution of electronic components. Based in Hongkong, we have already established firm and mutual-benefit business relationships with customers from,Europe,America and south Asia,supplying obsolete and hard-to-find components to meet their specific needs.

With the principle of “Quality Parts,Customers Priority,Honest Operation,and Considerate Service”,our business mainly focus on the distribution of electronic components. Line cards we deal with include Microchip,ALPS,ROHM,Xilinx,Pulse,ON,Everlight and Freescale. Main products comprise IC,Modules,Potentiometer,IC Socket,Relay,Connector.Our parts cover such applications as commercial,industrial, and automotives areas.

We are looking forward to setting up business relationship with you and hope to provide you with the best service and solution. Let us make a better world for our industry!



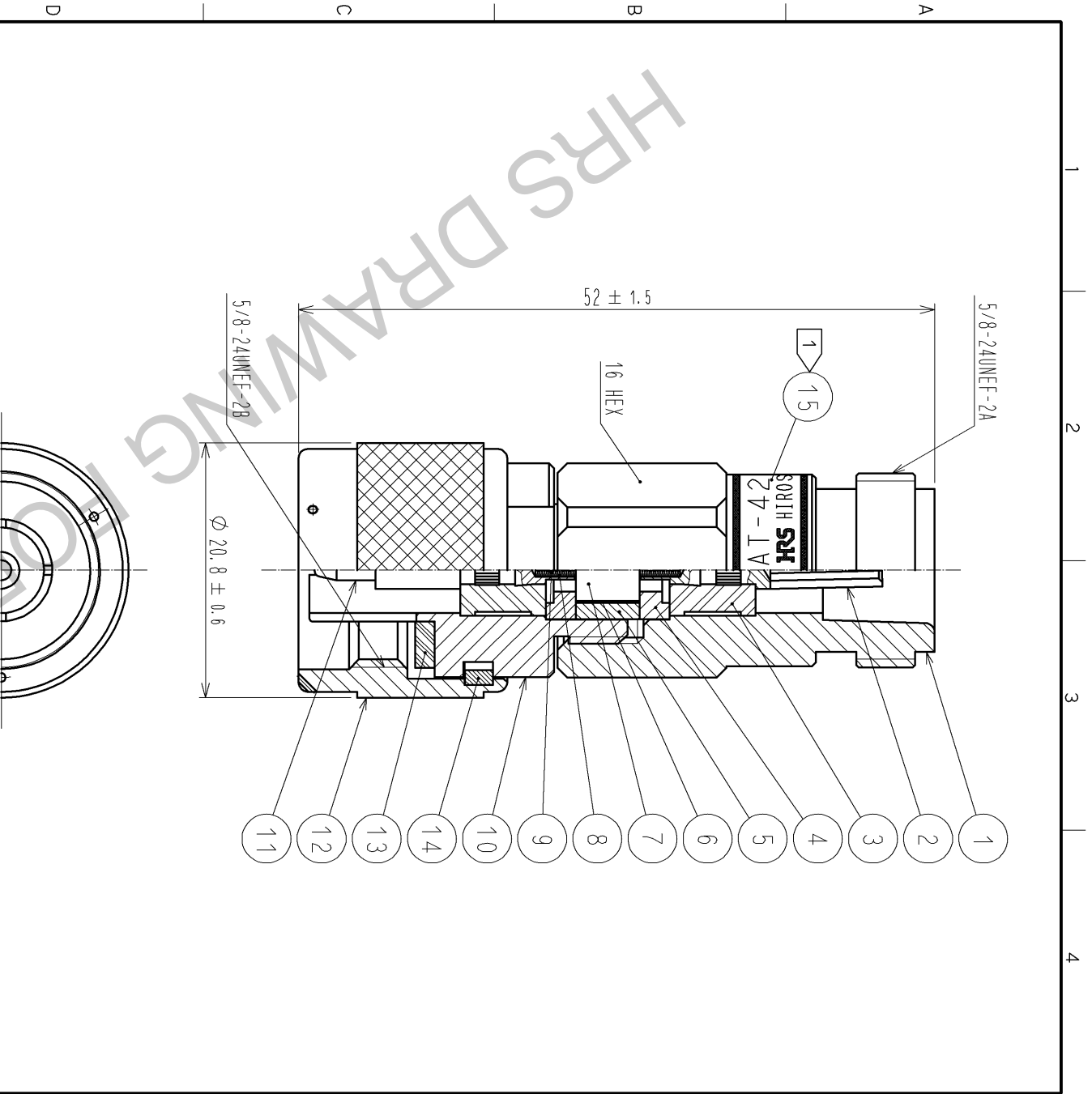
## Contact us

Tel: +86-755-8981 8866 Fax: +86-755-8427 6832

Email & Skype: info@chipsmall.com Web: www.chipsmall.com

Address: A1208, Overseas Decoration Building, #122 Zhenhua RD., Futian, Shenzhen, China





注 1 INDICATION OF THE LABEL

- AT-420(40)
- 20dB
- 50Ω
- HRS
- HIROSE ELECTRIC CO., LTD.

8	BERYLLIUM COPPER	GOLD PLATING	15			
7	ALUMINA		14	PHOSPHOR BRONZE	NICKEL PLATING	
6	BERYLLIUM COPPER	GOLD PLATING	13	SILICON RUBBER	NICKEL PLATING	
5	BRASS	NICKEL PLATING	12	BRASS	NICKEL PLATING	
4	BRASS	NICKEL PLATING	11	BRASS	GOLD PLATING	
3	PTFE		10	BRASS	NICKEL PLATING	
2	BERYLLIUM COPPER	GOLD PLATING	9	PIANO WIRE		
1	BRASS	NICKEL PLATING				

UNITS	SCALE	COUNT	DESCRIPTION OF REVISIONS	DESIGNED	CHECKED	DATE
mm	2 : 1					

APPROVED : MT. SHIBUTANI		12.02.01		DRAWING NO.		EDC4-030148-01	
CHECKED : KY. SHIMIZU		12.02.01		PART NO.		AT-420(40)	
DESIGNED : TK. SAWAGUCHI		12.01.31		CODE NO.		CL354-0036-4-40	
DRAWN : TK. SAWAGUCHI		12.01.31					