



Chipsmall Limited consists of a professional team with an average of over 10 year of expertise in the distribution of electronic components. Based in Hongkong, we have already established firm and mutual-benefit business relationships with customers from,Europe,America and south Asia,supplying obsolete and hard-to-find components to meet their specific needs.

With the principle of "Quality Parts,Customers Priority,Honest Operation,and Considerate Service",our business mainly focus on the distribution of electronic components. Line cards we deal with include Microchip,ALPS,ROHM,Xilinx,Pulse,ON,Everlight and Freescale. Main products comprise IC,Modules,Potentiometer,IC Socket,Relay,Connector.Our parts cover such applications as commercial,industrial, and automotives areas.

We are looking forward to setting up business relationship with you and hope to provide you with the best service and solution. Let us make a better world for our industry!



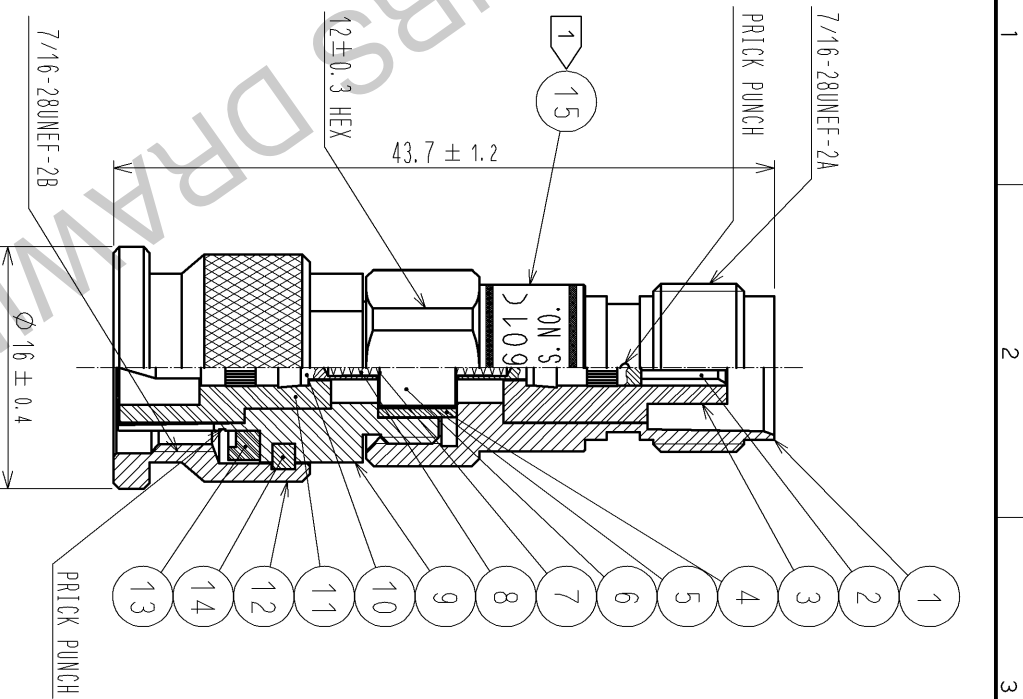
## Contact us

Tel: +86-755-8981 8866 Fax: +86-755-8427 6832

Email & Skype: info@chipsmall.com Web: www.chipsmall.com

Address: A1208, Overseas Decoration Building, #122 Zhenhua RD., Futian, Shenzhen, China





NOTE 1 INDICATION OF THE LABEL  
 • AT-601(40)  
 • 1dB  
 • 50Ω  
**HRS**  
 • S. NO.

8	PIANO WIRE							
7	BERYLLIUM COPPER	GOLD PLATING		15				LABEL
6	ALUMINA			14	PHOSPHOR BRONZE			NICKEL PLATING
5	BERYLLIUM COPPER	GOLD PLATING		13	SILICON RUBBER			
4	BRASS	NICKEL PLATING		12	BRASS			NICKEL PLATING
3	PTFE			11	PTFE			
2	BERYLLIUM COPPER	GOLD PLATING		10	BRASS			GOLD PLATING
1	BRASS	NICKEL PLATING		9	BRASS			NICKEL PLATING
NO.	MATERIAL	FINISH	REMARKS	NO.	MATERIAL	FINISH	REMARKS	

UNITS	mm	SCALE	2 : 1	COUNT		DESCRIPTION OF REVISIONS		DESIGNED		CHECKED		DATE	
APPROVED : MT. SHIBUTANI      12.01.31      DRAWING NO.      EDC4-180503-01 CHECKED : KY. SHIMIZU      12.01.31      PART NO.      AT-601(40) DESIGNED : TK. SAWAGUCHI      12.01.30      CODE NO.      CL354-0250-4-40 DRAWN : TK. SAWAGUCHI      12.01.30      NO.      1													
<b>HRS</b> HIROSE ELECTRIC CO., LTD.													