



Chipsmall Limited consists of a professional team with an average of over 10 year of expertise in the distribution of electronic components. Based in Hongkong, we have already established firm and mutual-benefit business relationships with customers from,Europe,America and south Asia,supplying obsolete and hard-to-find components to meet their specific needs.

With the principle of “Quality Parts,Customers Priority,Honest Operation,and Considerate Service”,our business mainly focus on the distribution of electronic components. Line cards we deal with include Microchip,ALPS,ROHM,Xilinx,Pulse,ON,Everlight and Freescale. Main products comprise IC,Modules,Potentiometer,IC Socket,Relay,Connector.Our parts cover such applications as commercial,industrial, and automotives areas.

We are looking forward to setting up business relationship with you and hope to provide you with the best service and solution. Let us make a better world for our industry!



Contact us

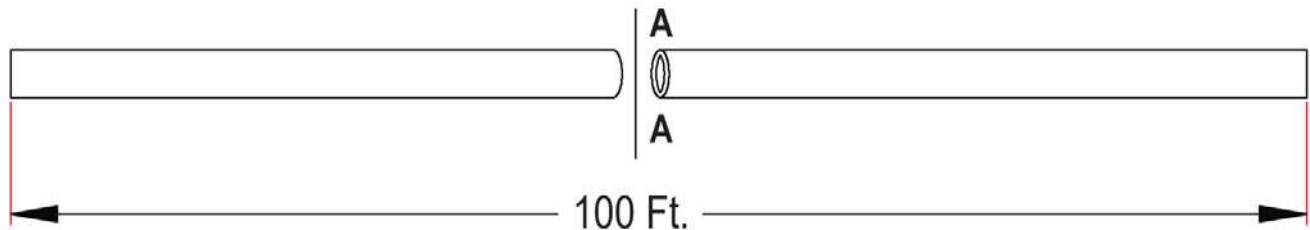
Tel: +86-755-8981 8866 Fax: +86-755-8427 6832

Email & Skype: info@chipsmall.com Web: www.chipsmall.com

Address: A1208, Overseas Decoration Building, #122 Zhenhua RD., Futian, Shenzhen, China



A



A

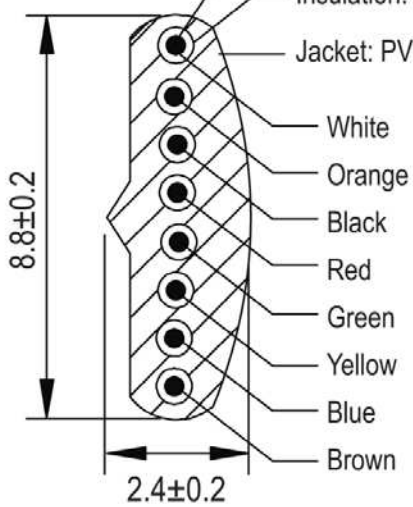
B

100 Ft.

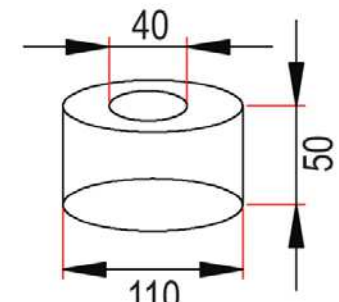
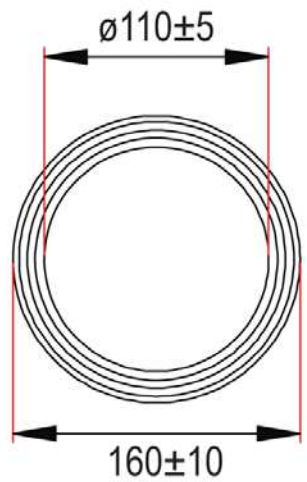
B

C

Conductor: [26AWG (0.16x7) Bare Copper]x8C
 Insulation: (PP6331 ID: 0.95±0.05)x8C
 Jacket: PVC NOUL 65P



C



Note:
Mold Size.

D

D

100Ft/R. PE Film

Sec: A - A

Voltage rating: 30V (DC)

Unit: MM

E

E

F

F



Scale	1:1						Name
TOLERANCE						Drawn	11.18.11
X.X	±0.40					Approved	Chappell
X.XX	±0.25						
X.XXX	±0.15						
Angle	±3°						
Modification						Date	Name
ASSMANN						W&SW components	

Item No.	
AT-K-26-8-B/100	
Title Modular Straight cable - Raw, 8 Contact, 26AWG, Black, 100Ft	
Drawing No.	rev00
Replace	Sheet

G

G

H

H