



Chipsmall Limited consists of a professional team with an average of over 10 year of expertise in the distribution of electronic components. Based in Hongkong, we have already established firm and mutual-benefit business relationships with customers from,Europe,America and south Asia,supplying obsolete and hard-to-find components to meet their specific needs.

With the principle of “Quality Parts,Customers Priority,Honest Operation,and Considerate Service”,our business mainly focus on the distribution of electronic components. Line cards we deal with include Microchip,ALPS,ROHM,Xilinx,Pulse,ON,Everlight and Freescale. Main products comprise IC,Modules,Potentiometer,IC Socket,Relay,Connector.Our parts cover such applications as commercial,industrial, and automotives areas.

We are looking forward to setting up business relationship with you and hope to provide you with the best service and solution. Let us make a better world for our industry!



Contact us

Tel: +86-755-8981 8866 Fax: +86-755-8427 6832

Email & Skype: info@chipsmall.com Web: www.chipsmall.com

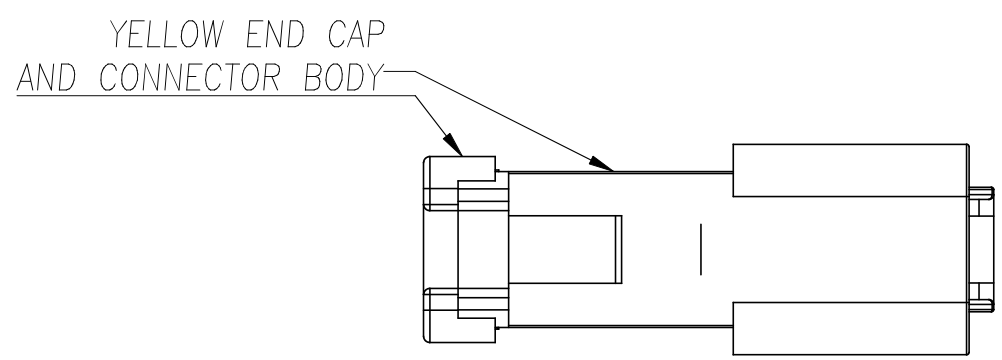
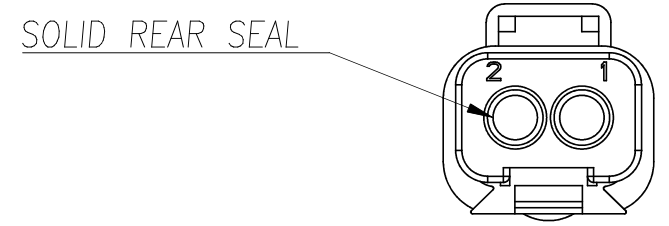
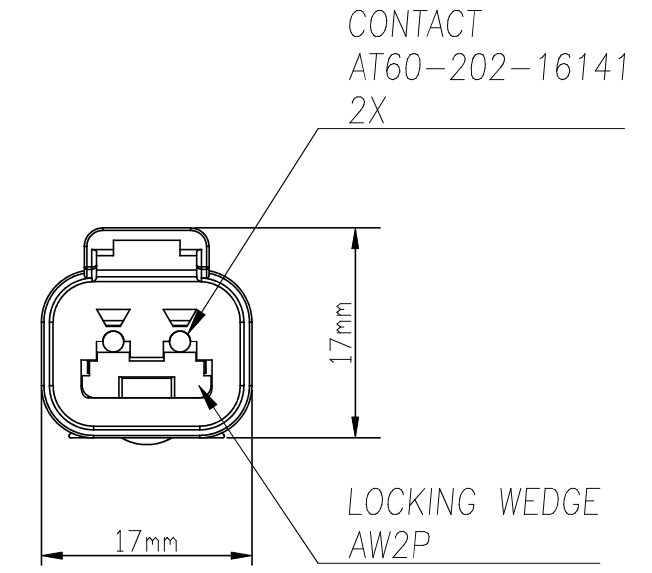
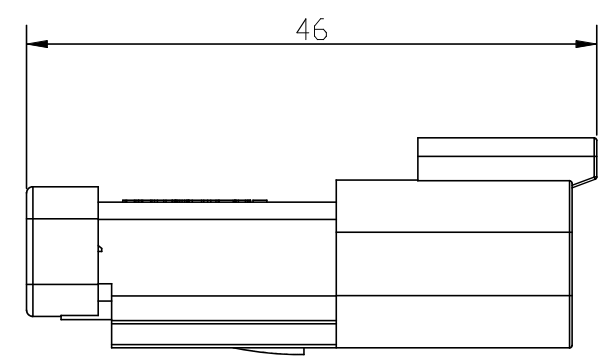
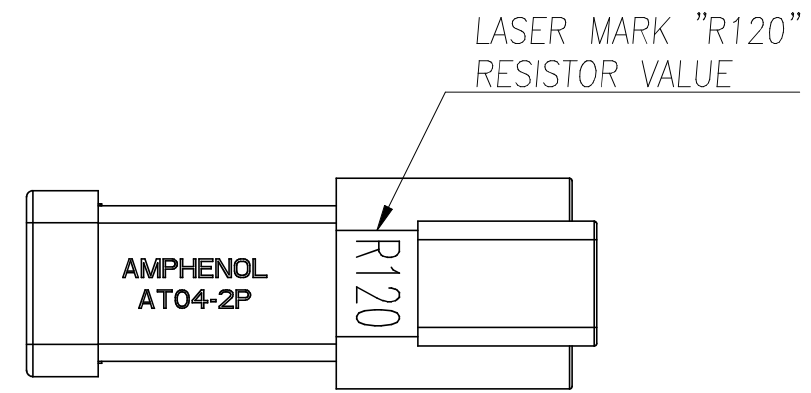
Address: A1208, Overseas Decoration Building, #122 Zhenhua RD., Futian, Shenzhen, China



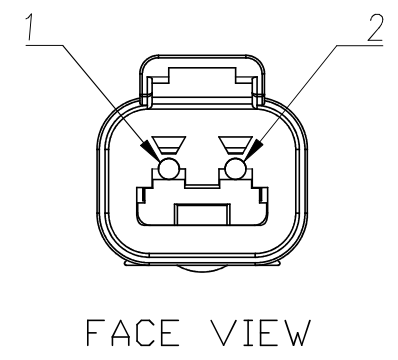
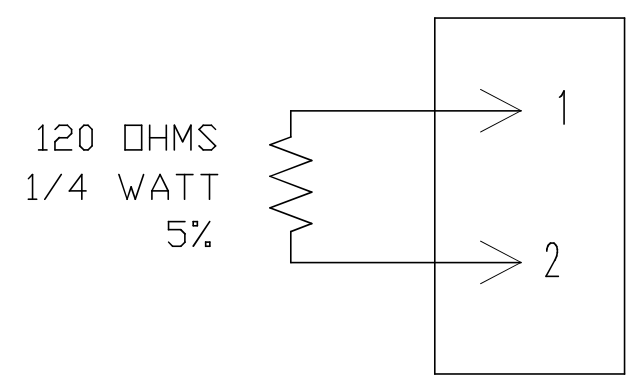
REVISIONS						
REV	ZONE	ECO	DESCRIPTION	DATE	BY	APPR
01	--	--	RELEASE	03MAY12	RFC	RFC
02	--	--	UPDATE DRAWING FORMAT	06NOV13	DRP	DRP

NOTES: UNLESS OTHERWISE SPECIFIED

- 1 DIMENSIONS ARE FOR REFERENCE ONLY.
- 2 PART NUMBER AT04-2P-R120YEL IS FOR A FULLY ASSEMBLED CONNECTOR READY FOR INSTALLATION.
- 3 CONNECTOR BODY & CAP COLOR TO BE YELLOW



WIRING DIAGRAM



CUSTOMER DRAWING

ITEM	PART NUMBER	Qty	DESCRIPTION	REMARK
MATERIALS LIST				
UNLESS OTHERWISE SPECIFIED 1) All dimensions are in metric(mm). 2) Tolerances are as follows: 1 PL DEC ±0.20 2 PL DEC ±0.10 3 PL DEC ±0.05			MATERIAL SPECIFICATIONS:	SINE Systems Corporation A Subsidiary of Amphenol Corporation
SIGNATURE			PROCESS SPECIFICATIONS: IPC620-A	
DATE			THIS DRAWING IS SUPPLIED FOR INFORMATION ONLY. DESIGN FEATURES, SPECIFICATIONS AND PERFORMANCE DATA SHOWN HEREON ARE THE PROPERTY OF THE AMPHENOL CORPORATION. NO RIGHTS OF REPRODUCTION ARE IMPLIED. ALL DIMENSIONS ARE SUBJECT TO NORMAL MANUFACTURING VARIATIONS.	RECEIPT, 2 WAY "AT", 120 OHM, YELLOW
DRAWN	R. CURRY	03-MAY-12		DWG NO: AT04-2P-R120YEL
CHECKED	R. CURRY	03-MAY-12		THIRD ANGLE PROJECTION
ENGINEER	R. CURRY	03-MAY-12		FSCM NO. SIZE MASS REV. SCALE
APPROVAL	R. CURRY	03-MAY-12		A3 02 NONE
CUSTOMER	ALL			SHEET 1 OF 1