



Chipsmall Limited consists of a professional team with an average of over 10 year of expertise in the distribution of electronic components. Based in Hongkong, we have already established firm and mutual-benefit business relationships with customers from,Europe,America and south Asia,supplying obsolete and hard-to-find components to meet their specific needs.

With the principle of “Quality Parts,Customers Priority,Honest Operation,and Considerate Service”,our business mainly focus on the distribution of electronic components. Line cards we deal with include Microchip,ALPS,ROHM,Xilinx,Pulse,ON,Everlight and Freescale. Main products comprise IC,Modules,Potentiometer,IC Socket,Relay,Connector.Our parts cover such applications as commercial,industrial, and automotives areas.

We are looking forward to setting up business relationship with you and hope to provide you with the best service and solution. Let us make a better world for our industry!



## Contact us

Tel: +86-755-8981 8866 Fax: +86-755-8427 6832

Email & Skype: info@chipsmall.com Web: www.chipsmall.com

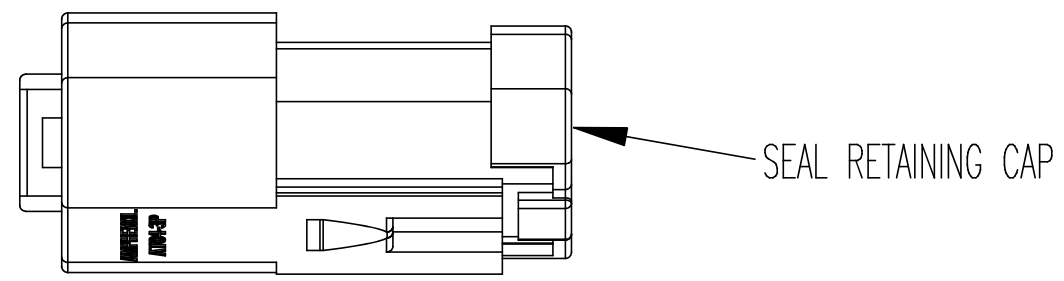
Address: A1208, Overseas Decoration Building, #122 Zhenhua RD., Futian, Shenzhen, China



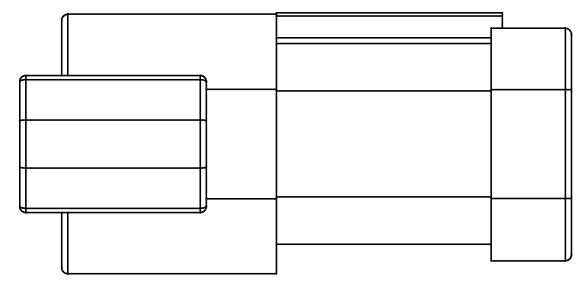
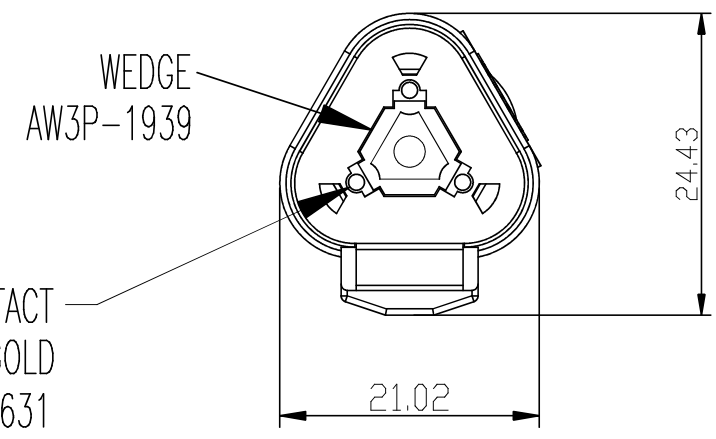
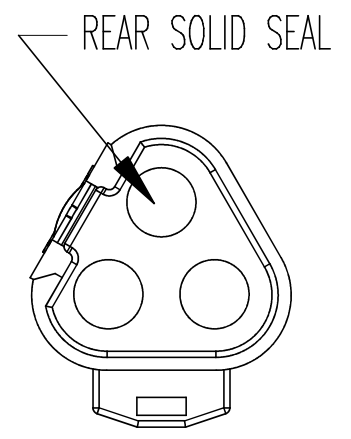
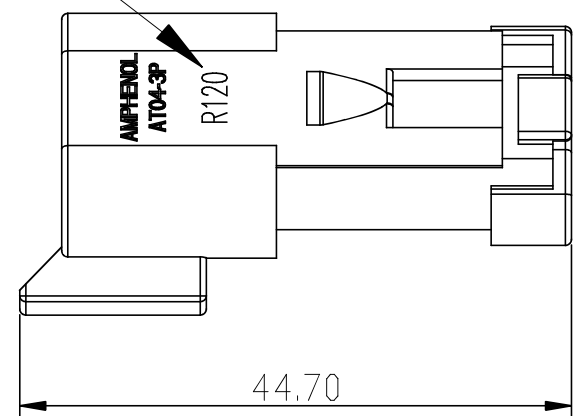
REVISIONS						
REV	ZONE	ECO	DESCRIPTION	DATE	BY	APPR
02	--	--	UPDATE CONTACT PART NUMBER	06MAR12	--	RFC
03	--	--	UPDATE DRAWING FORMAT	06NOV13	DRP	DRP

NOTES: UNLESS OTHERWISE SPECIFIED

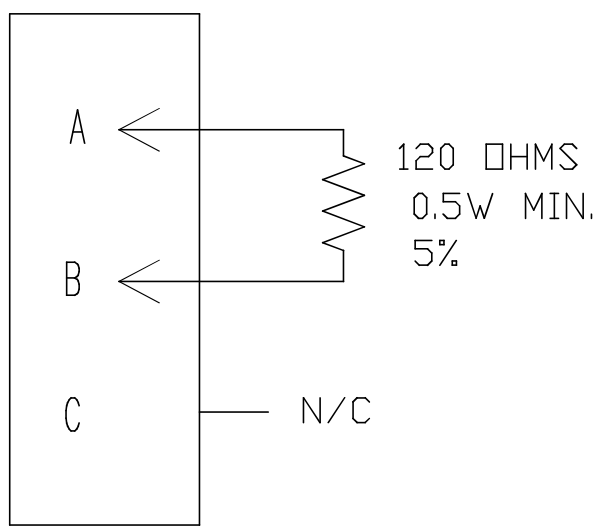
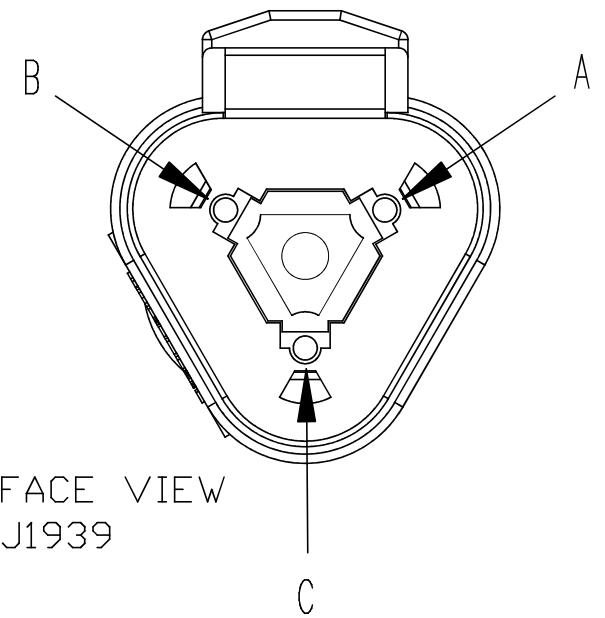
- ① DIMENSIONS ARE FOR REFERENCE ONLY.
- ② PART NUMBER AT04-3P-RJ120 IS FULLY ASSEMBLED READY FOR INSTALLATION.
- ③ COLOR TO BE SINE SYSTEMS STANDARD 'AT' GREY.



LASER MARK "R120"  
RESISTOR VALUE



WIRING DIAGRAM



*CUSTOMER DRAWING*

ITEM	PART NUMBER	Qty	DESCRIPTION	REMARK		
<b>MATERIALS LIST</b>						
UNLESS OTHERWISE SPECIFIED 1) All dimensions are in metric(mm). 2) Tolerances are as follows: 1 PL DEC ±0.20 2 PL DEC ±0.10 3 PL DEC ±0.05			MATERIAL SPECIFICATIONS:	<b>SINE Systems Corporation</b> A Subsidiary of Amphenol Corporation		
SIGNATURE			PROCESS SPECIFICATIONS: IPC-A-620			
DATE			THIS DRAWING IS SUPPLIED FOR INFORMATION ONLY. DESIGN FEATURES, SPECIFICATIONS AND PERFORMANCE DATA SHOWN HEREON ARE THE PROPERTY OF THE AMPHENOL CORPORATION. NO RIGHTS OF REPRODUCTION ARE IMPLIED. ALL DIMENSIONS ARE SUBJECT TO NORMAL MANUFACTURING VARIATIONS.			
DRAWN	R. CURRY	02-MAR-12				
CHECKED	R. CURRY	02-MAR-12				
ENGINEER	R. CURRY	02-MAR-12				
APPROVAL	R. CURRY	02-MAR-12	RECEPT, 3 WAY, J1939, 120 OHM, GREY			
CUSTOMER	ALL		DWG NO: AT04-3P-RJ120			
THIRD ANGLE PROJECTION		FSCM NO.	SIZE	MASS	REV.	SCALE
			A3		03	NONE
SHEET 1 OF 1		NEXT ASSY:				