



Chipsmall Limited consists of a professional team with an average of over 10 year of expertise in the distribution of electronic components. Based in Hongkong, we have already established firm and mutual-benefit business relationships with customers from,Europe,America and south Asia,supplying obsolete and hard-to-find components to meet their specific needs.

With the principle of “Quality Parts,Customers Priority,Honest Operation,and Considerate Service”,our business mainly focus on the distribution of electronic components. Line cards we deal with include Microchip,ALPS,ROHM,Xilinx,Pulse,ON,Everlight and Freescale. Main products comprise IC,Modules,Potentiometer,IC Socket,Relay,Connector.Our parts cover such applications as commercial,industrial, and automotives areas.

We are looking forward to setting up business relationship with you and hope to provide you with the best service and solution. Let us make a better world for our industry!



Contact us

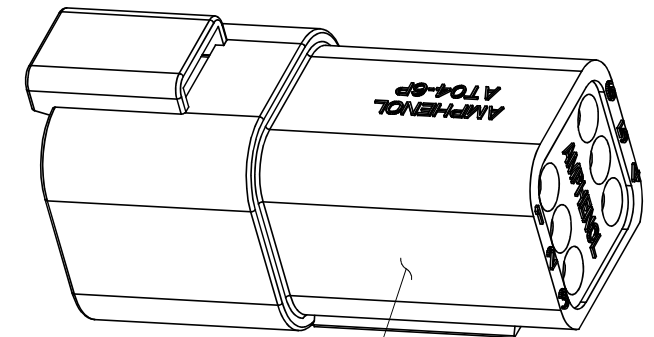
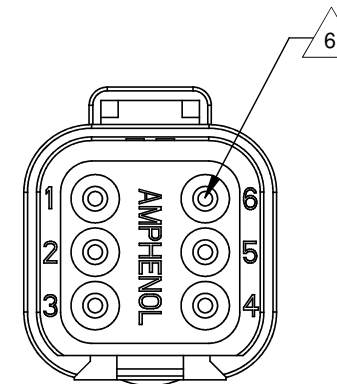
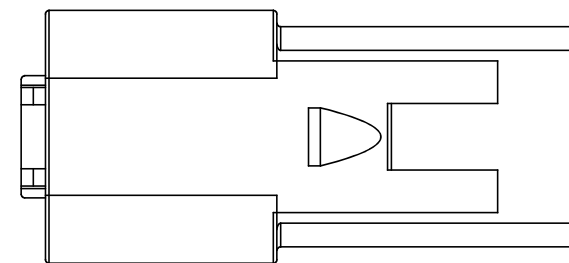
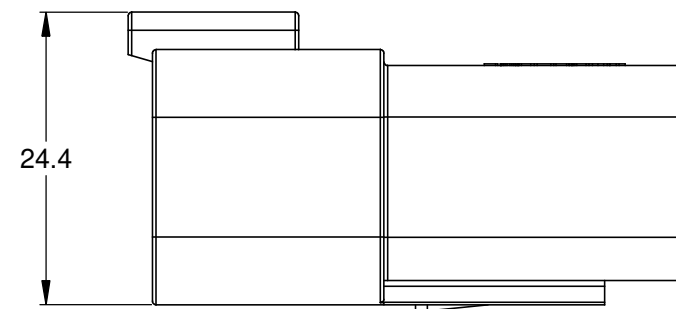
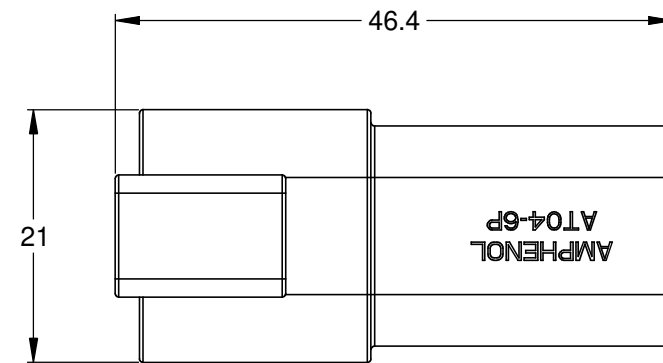
Tel: +86-755-8981 8866 Fax: +86-755-8427 6832

Email & Skype: info@chipsmall.com Web: www.chipsmall.com

Address: A1208, Overseas Decoration Building, #122 Zhenhua RD., Futian, Shenzhen, China

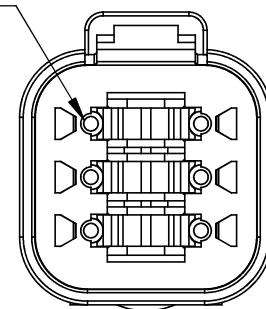


REVISIONS					
REV	ECO	DESCRIPTION	DATE	BY	APPR
A3	-	RELEASE NEW DWG FORMAT	26DEC13	JARRY	-



STANDARD MOLDED COLOR IS GREY.
ADDITIONAL COLORS SHOWN IN PART NUMBER
CHART ARE AVAILABLE VIA SPECIAL ORDER.

REQUIRES CONTACT
RETENTION WEDGE AW6P



NOTES: UNLESS OTHERWISE SPECIFIED

- MATERIAL:
HOUSING: THERMOPLASTIC
SEAL: SILICONE RUBBER
- MODIFICATIONS: N/A
- SPECIFICATIONS:
 - CURRENT RATING: 13 AMPS
 - OPERATING TEMPERATURE: -55°C TO +125°C
 - DIELECTRIC WITHSTANDING VOLTAGE: LESS THAN 2 MILLIAMPS CURRENT LEAKAGE @ 1500 VOLTS AC.
 - INSULATION RESISTANCE: 1000 MEGOHMS MIN @ 25°C.
 - MOISTURE RESISTANCE: IP67 (MATED CONDITION)
 - MATING CYCLE DURABILITY: 100 CYCLES
 - RoHS COMPLIANT
- MATING PART: AT06-6S* PLUG
(* = MODIFICATIONS AND COLORS)
- ALL DIMENSIONS ARE FOR REFERENCE USE ONLY.

6 CONTACT SIZE AND REAR SEAL WIRE RANGE:

CONTACT SIZE	MIN. INSUL O.D.	MAX. INSUL O.D.	TYPICAL WIRE RANGE
16	2.24 mm (.088 in)	3.68 mm (.145 in)	14 - 20 AWG

PART NUMBER CHART	
COLOR	PART NUMBER
GREY	AT04-6P
BLACK	AT04-6P-BLK
BLUE	AT04-6P-BLU
BROWN	AT04-6P-BRN
GREEN	AT04-6P-GRN
RED	AT04-6P-RED
WHITE	AT04-6P-WHT
YELLOW	AT04-6P-YEL

QUANTITY	SEE PART NUMBER CHART	PART NUMBER	DESCRIPTION	ITEM																																																		
<table border="1"> <tr> <td colspan="2">UNLESS OTHERWISE SPECIFIED</td> <td colspan="2">SIGNATURES</td> <td>DATE</td> </tr> <tr> <td colspan="2">1) All dimensions are in metric (mm).</td> <td colspan="2">DRAWN: JARRY</td> <td>26DEC13</td> </tr> <tr> <td colspan="2">2) Tolerances are as follows:</td> <td colspan="2">CHECKED:</td> <td></td> </tr> <tr> <td colspan="2">1 PL DEC ±0.30</td> <td colspan="2">ENGINEER:</td> <td></td> </tr> <tr> <td colspan="2">2 PL DEC ±0.15</td> <td colspan="2">APPROVAL:</td> <td></td> </tr> <tr> <td colspan="2">3 PL DEC ±0.08</td> <td colspan="2">CUSTOMER:</td> <td></td> </tr> <tr> <td colspan="2">3) Note reference = </td> <td colspan="3">THIS DRAWING IS SUPPLIED FOR INFORMATION ONLY. DESIGN FEATURES, SPECIFICATIONS AND PERFORMANCE DATA SHOWN HEREON ARE THE PROPERTY OF THE AMPHENOL CORPORATION. NO RIGHTS OF REPRODUCTION ARE IMPLIED. ALL DIMENSIONS ARE SUBJECT TO NORMAL MANUFACTURING VARIATIONS.</td> </tr> <tr> <td colspan="2">MATERIAL SPECIFICATIONS:</td> <td colspan="3">SIZE: B C-</td> </tr> <tr> <td colspan="2">PROCESS SPECIFICATIONS:</td> <td colspan="3">DWG NO: AT04-6P-XXX</td> </tr> <tr> <td colspan="2">NEXT ASSY:</td> <td colspan="3">REVISION: A3</td> </tr> </table>					UNLESS OTHERWISE SPECIFIED		SIGNATURES		DATE	1) All dimensions are in metric (mm).		DRAWN: JARRY		26DEC13	2) Tolerances are as follows:		CHECKED:			1 PL DEC ±0.30		ENGINEER:			2 PL DEC ±0.15		APPROVAL:			3 PL DEC ±0.08		CUSTOMER:			3) Note reference =		THIS DRAWING IS SUPPLIED FOR INFORMATION ONLY. DESIGN FEATURES, SPECIFICATIONS AND PERFORMANCE DATA SHOWN HEREON ARE THE PROPERTY OF THE AMPHENOL CORPORATION. NO RIGHTS OF REPRODUCTION ARE IMPLIED. ALL DIMENSIONS ARE SUBJECT TO NORMAL MANUFACTURING VARIATIONS.			MATERIAL SPECIFICATIONS:		SIZE: B C-			PROCESS SPECIFICATIONS:		DWG NO: AT04-6P-XXX			NEXT ASSY:		REVISION: A3		
UNLESS OTHERWISE SPECIFIED		SIGNATURES		DATE																																																		
1) All dimensions are in metric (mm).		DRAWN: JARRY		26DEC13																																																		
2) Tolerances are as follows:		CHECKED:																																																				
1 PL DEC ±0.30		ENGINEER:																																																				
2 PL DEC ±0.15		APPROVAL:																																																				
3 PL DEC ±0.08		CUSTOMER:																																																				
3) Note reference =		THIS DRAWING IS SUPPLIED FOR INFORMATION ONLY. DESIGN FEATURES, SPECIFICATIONS AND PERFORMANCE DATA SHOWN HEREON ARE THE PROPERTY OF THE AMPHENOL CORPORATION. NO RIGHTS OF REPRODUCTION ARE IMPLIED. ALL DIMENSIONS ARE SUBJECT TO NORMAL MANUFACTURING VARIATIONS.																																																				
MATERIAL SPECIFICATIONS:		SIZE: B C-																																																				
PROCESS SPECIFICATIONS:		DWG NO: AT04-6P-XXX																																																				
NEXT ASSY:		REVISION: A3																																																				
<h1>Amphenol</h1> <p>Sine Systems - www.amphenol-sine.com 44724 Morley Drive Clinton Township, MI 48036</p> <p>RECEPTACLE, 6 PIN, AT SERIES</p>																																																						
SCALE: NONE SHEET 1 OF 1																																																						

TITLE: RECEPTACLE, 6 PIN, AT SERIES
DWG NO: AT04-6P-XXX
REV: A3
SH: 1
OF: 1