



Chipsmall Limited consists of a professional team with an average of over 10 year of expertise in the distribution of electronic components. Based in Hongkong, we have already established firm and mutual-benefit business relationships with customers from,Europe,America and south Asia,supplying obsolete and hard-to-find components to meet their specific needs.

With the principle of “Quality Parts,Customers Priority,Honest Operation,and Considerate Service”,our business mainly focus on the distribution of electronic components. Line cards we deal with include Microchip,ALPS,ROHM,Xilinx,Pulse,ON,Everlight and Freescale. Main products comprise IC,Modules,Potentiometer,IC Socket,Relay,Connector.Our parts cover such applications as commercial,industrial, and automotives areas.

We are looking forward to setting up business relationship with you and hope to provide you with the best service and solution. Let us make a better world for our industry!



Contact us

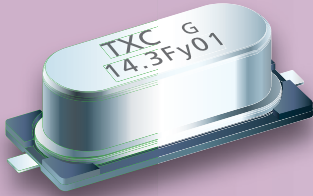
Tel: +86-755-8981 8866 Fax: +86-755-8427 6832

Email & Skype: info@chipsmall.com Web: www.chipsmall.com

Address: A1208, Overseas Decoration Building, #122 Zhenhua RD., Futian, Shenzhen, China



Metal Can Type Crystals HC-49S SMD AT Series



Features

- Surface-mount type crystal units.
- Wide operating temperature range.
- Superior and reliable performance in harsh environment.
- RoHS Compliant / Pb Free.

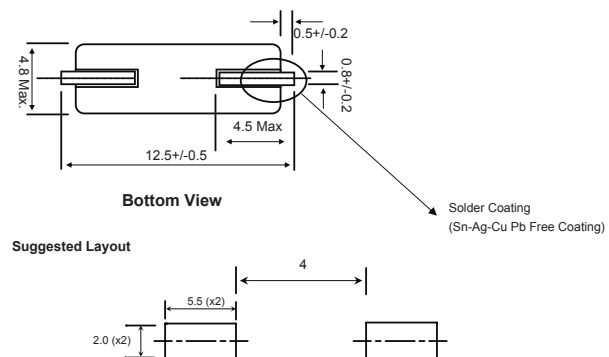
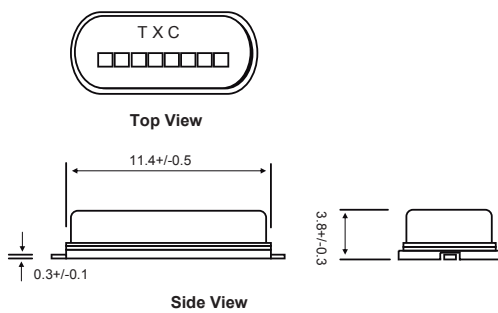
Electrical Specifications

Item / Type	AT
Frequency Range	4 MHz ~ 36 MHz
Overtone	Fundamental
Frequency Tolerance (at 25 °C)	± 30 ppm, ± 50 ppm
Frequency Stability Over Operating Temperature Range	± 80 ppm Max.
Operating Temperature Range	- 40 ~ +105 °C
Drive Level	10 μW (typical) ; 300 μW (Max.)
Load Capacitance	12 pF, or specify
Storage Temperature Range	- 40 ~ +105 °C
Reliability Standard	AEC-Q200

Equivalent Series Resistance(ESR)

Fundamental			
4 ~ 6 MHz	150 Ω Max.	12 ~ 16 MHz	60 Ω Max.
6 ~ 8 MHz	120 Ω Max.	16 ~ 32 MHz	50 Ω Max.
8 ~ 10 MHz	80 Ω Max.	32 ~ 36 MHz	120 Ω Max.
10 ~ 12 MHz	70 Ω Max.		

Dimensions



Remark : Specification subject to change without prior notice. Please confirm with our sales. <http://www.txccorp.com>