



Chipsmall Limited consists of a professional team with an average of over 10 year of expertise in the distribution of electronic components. Based in Hongkong, we have already established firm and mutual-benefit business relationships with customers from,Europe,America and south Asia,supplying obsolete and hard-to-find components to meet their specific needs.

With the principle of “Quality Parts,Customers Priority,Honest Operation,and Considerate Service”,our business mainly focus on the distribution of electronic components. Line cards we deal with include Microchip,ALPS,ROHM,Xilinx,Pulse,ON,Everlight and Freescale. Main products comprise IC,Modules,Potentiometer,IC Socket,Relay,Connector.Our parts cover such applications as commercial,industrial, and automotives areas.

We are looking forward to setting up business relationship with you and hope to provide you with the best service and solution. Let us make a better world for our industry!



Contact us

Tel: +86-755-8981 8866 Fax: +86-755-8427 6832

Email & Skype: info@chipsmall.com Web: www.chipsmall.com

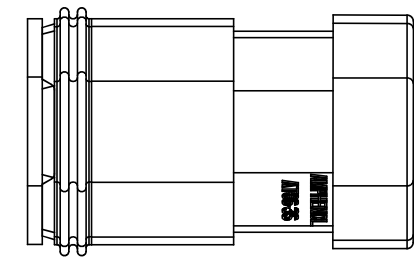
Address: A1208, Overseas Decoration Building, #122 Zhenhua RD., Futian, Shenzhen, China



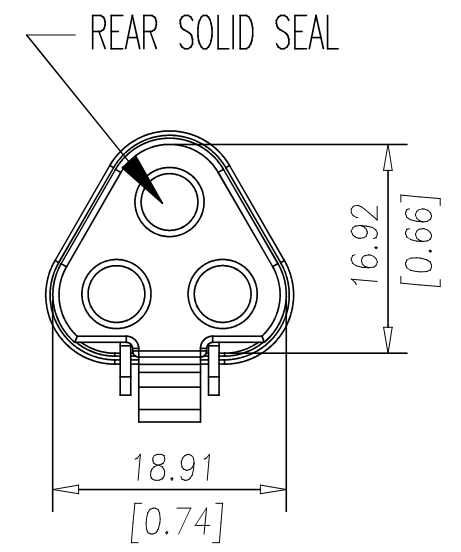
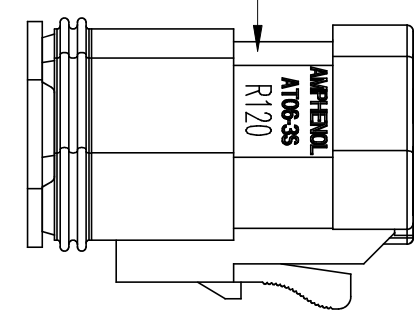
REVISIONS						
REV	ZONE	ECO	DESCRIPTION	DATE	BY	APPR
01	--	--	RELEASE	02MAR12	RFC	RFC
02	--	--	UPDATE DRAWING FORMAT	06NOV13	DRP	DRP

NOTES: UNLESS OTHERWISE SPECIFIED

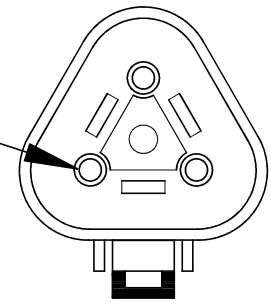
- 1 DIMENSIONS ARE FOR REFERENCE ONLY.
- 2 PART NUMBER AT06-3S-RJ120BK IS FULLY ASSEMBLED READY FOR INSTALLATION.
- 3 COLOR TO BE SINE SYSTEMS STANDARD 'AT' BLACK.



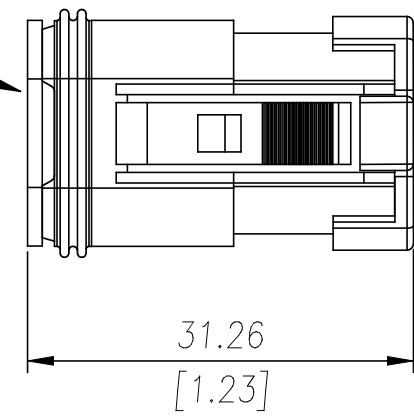
LASER MARK "R120"
RESISTOR VALUE



FEMALE CONTACT
MACHINED, GOLD
AT62-201-1631
2x

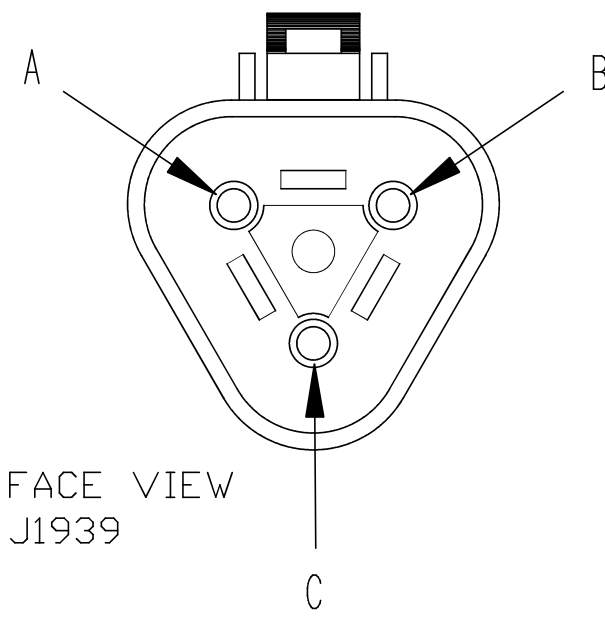
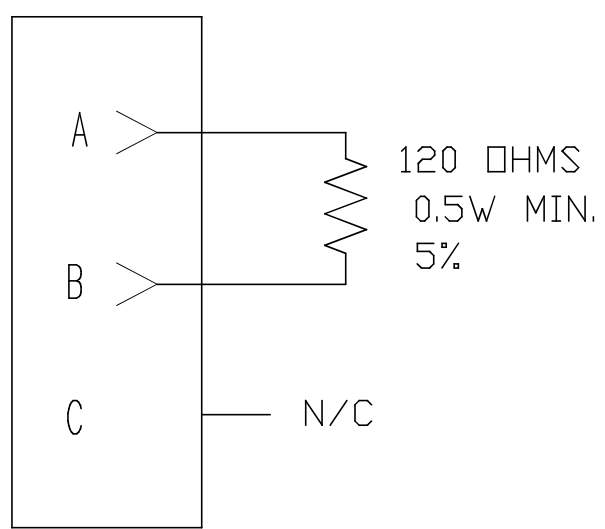


WEDGE
AW3S-1939



SEAL RETAINING CAP

WIRING DIAGRAM



FACE VIEW
J1939

CUSTOMER DRAWING

ITEM	PART NUMBER	Qty	DESCRIPTION	REMARK	
MATERIALS LIST					
UNLESS OTHERWISE SPECIFIED 1) All dimensions are in metric(mm). 2) Tolerances are as follows: 1 PL DEC ±0.20 2 PL DEC ±0.10 3 PL DEC ±0.05			MATERIAL SPECIFICATIONS:	SINE Systems Corporation A Subsidiary of Amphenol Corporation	
Fractions ±1/64 Angles ±1°			PROCESS SPECIFICATIONS: IPC620-A		
SIGNATURE		DATE	THIS DRAWING IS SUPPLIED FOR INFORMATION ONLY. DESIGN FEATURES, SPECIFICATIONS AND PERFORMANCE DATA SHOWN HEREON ARE THE PROPERTY OF THE AMPHENOL CORPORATION. NO RIGHTS OF REPRODUCTION ARE IMPLIED. ALL DIMENSIONS ARE SUBJECT TO NORMAL MANUFACTURING VARIATIONS.		
DRAWN	R. CURRY	02-MAR-12			
CHECKED	R. CURRY	02-MAR-12			
ENGINEER	R. CURRY	02-MAR-12			
APPROVAL	R. CURRY	02-MAR-12			
CUSTOMER	ALL				
DWG NO:		AT06-3S-RJ120BK			
THIRD ANGLE PROJECTION	FSCM NO.	SIZE	MASS	REV.	SCALE
		A3		02	NONE
SHEET 1 OF 1		NEXT ASSY:			