



Chipsmall Limited consists of a professional team with an average of over 10 year of expertise in the distribution of electronic components. Based in Hongkong, we have already established firm and mutual-benefit business relationships with customers from,Europe,America and south Asia,supplying obsolete and hard-to-find components to meet their specific needs.

With the principle of “Quality Parts,Customers Priority,Honest Operation,and Considerate Service”,our business mainly focus on the distribution of electronic components. Line cards we deal with include Microchip,ALPS,ROHM,Xilinx,Pulse,ON,Everlight and Freescale. Main products comprise IC,Modules,Potentiometer,IC Socket,Relay,Connector.Our parts cover such applications as commercial,industrial, and automotives areas.

We are looking forward to setting up business relationship with you and hope to provide you with the best service and solution. Let us make a better world for our industry!



## Contact us

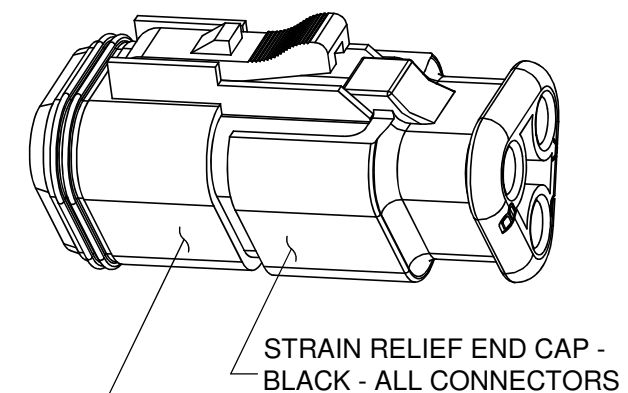
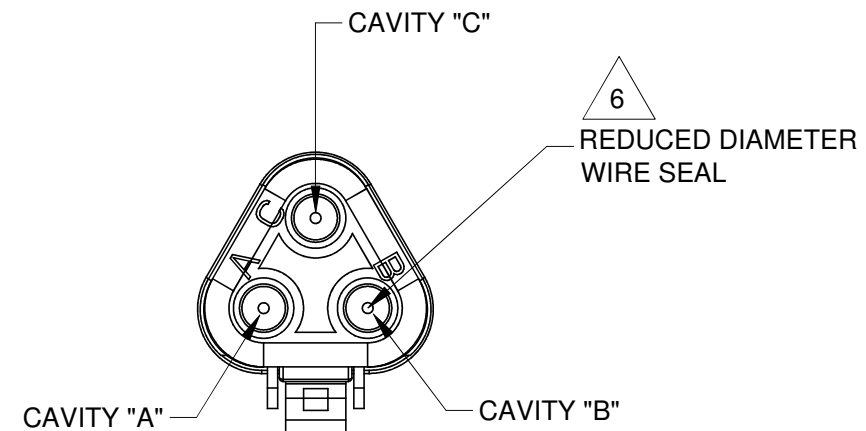
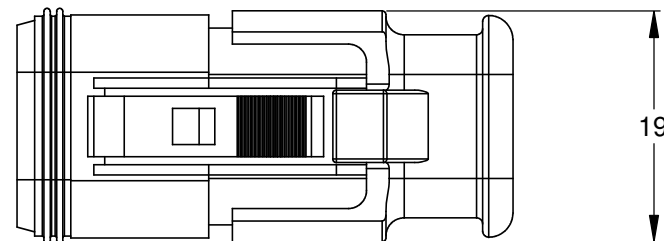
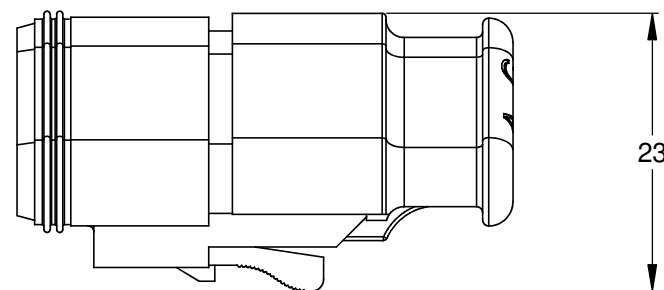
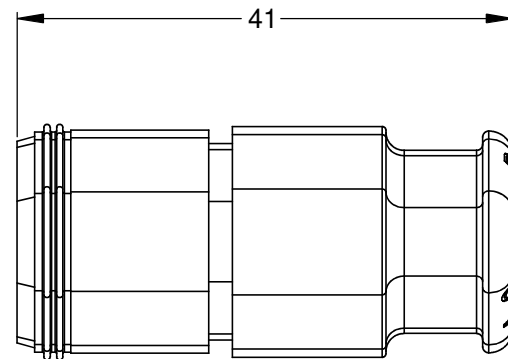
Tel: +86-755-8981 8866 Fax: +86-755-8427 6832

Email & Skype: info@chipsmall.com Web: www.chipsmall.com

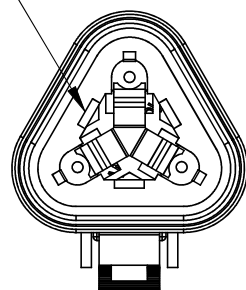
Address: A1208, Overseas Decoration Building, #122 Zhenhua RD., Futian, Shenzhen, China



| REVISIONS |     |                        |          |     |      |
|-----------|-----|------------------------|----------|-----|------|
| REV       | ECO | DESCRIPTION            | DATE     | BY  | APPR |
| A3        | -   | RELEASE NEW DWG FORMAT | 08/16/13 | DRP |      |



REQUIRES CONTACT RETENTION WEDGE AW3S



NOTES: UNLESS OTHERWISE SPECIFIED

- MATERIAL:  
HOUSING: THERMOPLASTIC  
SEAL: SILICONE RUBBER
- MODIFICATIONS: STRAIN RELIEF END CAP;  
REDUCED DIA. WIRE SEAL
- SPECIFICATIONS:  
3.1 CURRENT RATING: 13 AMPS  
3.2 OPERATING TEMPERATURE: -55°C TO +125°C  
3.3 DIELECTRIC WITHSTANDING VOLTAGE: LESS THAN 2 MILLIAMPS CURRENT LEAKAGE @ 1500 VOLTS AC.  
3.4 INSULATION RESISTANCE: 1000 MEGOHMS MIN @ 25°C.  
3.5 MOISTURE RESISTANCE: IP67 ( MATED CONDITION )  
3.6 MATING CYCLE DURABILITY: 100 CYCLES  
3.7 RoHS COMPLIANT
- MATING PART: AT04-3P\* RECEPTACLE  
(\* = MODIFICATIONS AND COLORS)
- ALL DIMENSIONS ARE FOR REFERENCE USE ONLY.

6 CONTACT SIZE AND REAR SEAL WIRE RANGE:

| CONTACT SIZE | MIN. INSUL O.D.   | MAX. INSUL O.D.   | TYPICAL WIRE RANGE |
|--------------|-------------------|-------------------|--------------------|
| 16           | 1.35 mm (.053 in) | 3.05 mm (.120 in) | 14 - 20 AWG        |

| PART NUMBER CHART |                 |
|-------------------|-----------------|
| COLOR             | PART NUMBER     |
| GREY              | AT06-3S-SR02GRY |
| BLACK             | AT06-3S-SR02BLK |
| BLUE              | AT06-3S-SR02BLU |
| BROWN             | AT06-3S-SR02BRN |
| GREEN             | AT06-3S-SR02GRN |
| RED               | AT06-3S-SR02RED |
| WHITE             | AT06-3S-SR02WHT |
| YELLOW            | AT06-3S-SR02YEL |

| SEE PART NUMBER CHART  |             | DESCRIPTION  |          | ITEM |
|--|-------------|--|----------|------|
| QUANTITY   | PART NUMBER | DESCRIPTION  |          | ITEM |
| <p>UNLESS OTHERWISE SPECIFIED</p> <p>1) All dimensions are in metric(mm).<br/>2) Tolerances are as follows:<br/>1 PL DEC ±0.30<br/>2 PL DEC ±0.15<br/>3 PL DEC ±0.08</p> <p>Fractions ±1/64<br/>Angles ±1°</p> <p>3) Note reference = </p> |             |  |          |      |
| SIGNATURES   |             | DATE   |          |      |
| DRAWN: D.PARKS   |             | 08/16/13   |          |      |
| CHECKED:   |             |  |          |      |
| ENGINEER:  |             |  |          |      |
| APPROVAL:  |             |  |          |      |
| MATERIAL SPECIFICATIONS:   |             | CUSTOMER:  |          |      |
| PROCESS SPECIFICATIONS:  |             | THIS DRAWING IS SUPPLIED FOR INFORMATION ONLY. DESIGN FEATURES, SPECIFICATIONS AND PERFORMANCE DATA SHOWN HEREON ARE THE PROPERTY OF THE AMPHENOL CORPORATION. NO RIGHTS OF REPRODUCTION ARE IMPLIED. ALL DIMENSIONS ARE SUBJECT TO NORMAL MANUFACTURING VARIATIONS. |          |      |
| NEXT ASSY:   |             | SCALE: NONE  |          |      |
| <p><b>Amphenol</b></p> <p>Sine Systems - www.amphenol-sine.com<br/>44724 Morley Drive<br/>Clinton Township, MI 48036</p>   |             |  |          |      |
| <p>PLUG, 3 SOCKET, AT SERIES, STRAIN RELIEF END CAP, REDUCED DIAMETER WIRE SEAL</p>  |             |  |          |      |
| SIZE   | TYPE        | DWG NO:  | REVISION |      |
| B  | C-          | AT06-3S-SR02XXX  | A3       |      |
| SHEET 1 OF 1   |             |  |          |      |

TITLE: PLUG, 3 SOCKET, AT, STRAIN RELIEF, REDUCED DIA WIRE SEAL

DWG NO: AT06-3S-SR02XXX

REV: A3

SH: 1

OF: 1