



Chipsmall Limited consists of a professional team with an average of over 10 year of expertise in the distribution of electronic components. Based in Hongkong, we have already established firm and mutual-benefit business relationships with customers from,Europe,America and south Asia,supplying obsolete and hard-to-find components to meet their specific needs.

With the principle of “Quality Parts,Customers Priority,Honest Operation,and Considerate Service”,our business mainly focus on the distribution of electronic components. Line cards we deal with include Microchip,ALPS,ROHM,Xilinx,Pulse,ON,Everlight and Freescale. Main products comprise IC,Modules,Potentiometer,IC Socket,Relay,Connector.Our parts cover such applications as commercial,industrial, and automotives areas.

We are looking forward to setting up business relationship with you and hope to provide you with the best service and solution. Let us make a better world for our industry!



Contact us

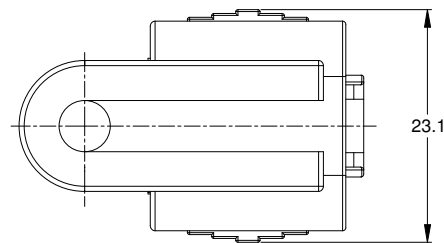
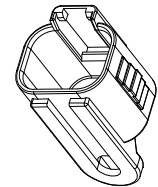
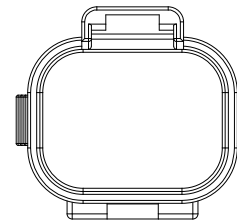
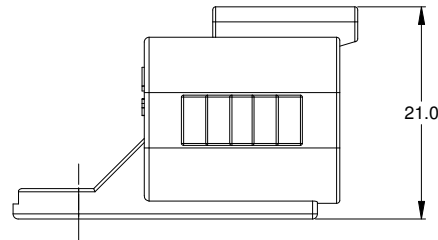
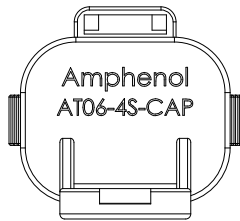
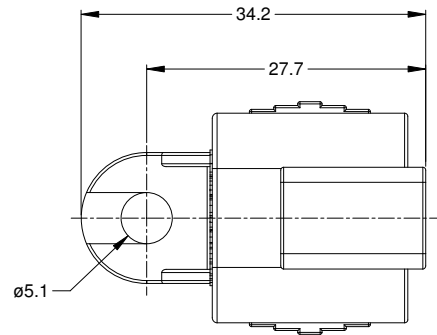
Tel: +86-755-8981 8866 Fax: +86-755-8427 6832

Email & Skype: info@chipsmall.com Web: www.chipsmall.com

Address: A1208, Overseas Decoration Building, #122 Zhenhua RD., Futian, Shenzhen, China



REVISIONS					
REV	ECO	DESCRIPTION	DATE	BY	APPR
A1	-	RELEASE	23JUN15	JAH	



NOTES: UNLESS OTHERWISE SPECIFIED

1. MATERIAL: THERMOPLASTIC, COLOR: BLACK
2. RoHS COMPLIANT
3. MOISTURE RESISTANCE: IP67 MATED CONDITION
4. TEMPERATURE RANGE: -55C~125C
5. USE WITH CONNECTORS AT06-4S*
(* = MODIFICATIONS AND/OR COLORS)
6. ALL DIMENSIONS ARE FOR REFERENCE USE ONLY.

AT06-4S-CAP		PART NUMBER		DESCRIPTION		ITEM																																																																
<table border="1"> <thead> <tr> <th>QUANTITY</th> <th colspan="6">MATERIALS LIST</th> </tr> </thead> <tbody> <tr> <td rowspan="4"> <small>UNLESS OTHERWISE SPECIFIED</small> 1) All dimensions are in metric(mm). 2) Tolerances are as follows: 1 PL DEC ±0.50 Fractions ±1/64 2 PL DEC ±0.15 Angles ±1° 3 PL DEC ±0.08 3) Note reference = </td> <td colspan="2">SIGNATURES</td> <td colspan="2">DATE</td> <td colspan="2" rowspan="4"> <div style="text-align: center;"> <h1>Amphenol</h1> <p>Sine Systems - www.amphenol-sine.com 44724 Morley Drive Clinton Township, MI 48036</p> </div> </td> </tr> <tr> <td colspan="2">DRAWN: J. HEAD</td> <td colspan="2">23JUN2015</td> </tr> <tr> <td colspan="2">CHECKED:</td> <td colspan="2"></td> </tr> <tr> <td colspan="2">ENGINEER:</td> <td colspan="2"></td> </tr> <tr> <td colspan="2">APPROVAL:</td> <td colspan="2"></td> <td colspan="2" rowspan="2"> PROTECTIVE CAP, 4 POSITION, AT-SERIES </td> </tr> <tr> <td colspan="2">CUSTOMER:</td> <td colspan="2"></td> </tr> <tr> <td colspan="2">MATERIAL SPECIFICATIONS:</td> <td colspan="4"> <small>THIS DRAWING IS SUPPLIED FOR INFORMATION ONLY. DESIGN FEATURES, SPECIFICATIONS AND PERFORMANCE DATA SHOWN HEREON ARE THE PROPERTY OF THE AMPHENOL CORPORATION. NO RIGHTS OF REPRODUCTION ARE IMPLIED. ALL DIMENSIONS ARE SUBJECT TO NORMAL MANUFACTURING VARIATIONS.</small> </td> <td> REVISION A1 </td> </tr> <tr> <td colspan="2">PROCESS SPECIFICATIONS:</td> <td>SIZE</td> <td>TYPE</td> <td>DWG NO.</td> <td colspan="2"></td> </tr> <tr> <td colspan="2">NEXT ASSY:</td> <td>B C-</td> <td></td> <td>AT06-4S-CAP</td> <td colspan="2"></td> </tr> <tr> <td colspan="2"></td> <td>SCALE: NONE</td> <td colspan="2"></td> <td>SHEET 1</td> <td>OF 1</td> </tr> </tbody> </table>							QUANTITY	MATERIALS LIST						<small>UNLESS OTHERWISE SPECIFIED</small> 1) All dimensions are in metric(mm). 2) Tolerances are as follows: 1 PL DEC ±0.50 Fractions ±1/64 2 PL DEC ±0.15 Angles ±1° 3 PL DEC ±0.08 3) Note reference =	SIGNATURES		DATE		<div style="text-align: center;"> <h1>Amphenol</h1> <p>Sine Systems - www.amphenol-sine.com 44724 Morley Drive Clinton Township, MI 48036</p> </div>		DRAWN: J. HEAD		23JUN2015		CHECKED:				ENGINEER:				APPROVAL:				PROTECTIVE CAP, 4 POSITION, AT-SERIES		CUSTOMER:				MATERIAL SPECIFICATIONS:		<small>THIS DRAWING IS SUPPLIED FOR INFORMATION ONLY. DESIGN FEATURES, SPECIFICATIONS AND PERFORMANCE DATA SHOWN HEREON ARE THE PROPERTY OF THE AMPHENOL CORPORATION. NO RIGHTS OF REPRODUCTION ARE IMPLIED. ALL DIMENSIONS ARE SUBJECT TO NORMAL MANUFACTURING VARIATIONS.</small>				REVISION A1	PROCESS SPECIFICATIONS:		SIZE	TYPE	DWG NO.			NEXT ASSY:		B C-		AT06-4S-CAP					SCALE: NONE			SHEET 1	OF 1
QUANTITY	MATERIALS LIST																																																																					
<small>UNLESS OTHERWISE SPECIFIED</small> 1) All dimensions are in metric(mm). 2) Tolerances are as follows: 1 PL DEC ±0.50 Fractions ±1/64 2 PL DEC ±0.15 Angles ±1° 3 PL DEC ±0.08 3) Note reference =	SIGNATURES		DATE		<div style="text-align: center;"> <h1>Amphenol</h1> <p>Sine Systems - www.amphenol-sine.com 44724 Morley Drive Clinton Township, MI 48036</p> </div>																																																																	
	DRAWN: J. HEAD		23JUN2015																																																																			
	CHECKED:																																																																					
	ENGINEER:																																																																					
APPROVAL:				PROTECTIVE CAP, 4 POSITION, AT-SERIES																																																																		
CUSTOMER:																																																																						
MATERIAL SPECIFICATIONS:		<small>THIS DRAWING IS SUPPLIED FOR INFORMATION ONLY. DESIGN FEATURES, SPECIFICATIONS AND PERFORMANCE DATA SHOWN HEREON ARE THE PROPERTY OF THE AMPHENOL CORPORATION. NO RIGHTS OF REPRODUCTION ARE IMPLIED. ALL DIMENSIONS ARE SUBJECT TO NORMAL MANUFACTURING VARIATIONS.</small>				REVISION A1																																																																
PROCESS SPECIFICATIONS:		SIZE	TYPE	DWG NO.																																																																		
NEXT ASSY:		B C-		AT06-4S-CAP																																																																		
		SCALE: NONE			SHEET 1	OF 1																																																																

TITLE: PROTECTIVE CAP, 4 POSITION, AT-SERIES
 DWG NO.: AT06-4S-CAP
 REV: A1
 SH: 1
 OF: 1