



Chipsmall Limited consists of a professional team with an average of over 10 year of expertise in the distribution of electronic components. Based in Hongkong, we have already established firm and mutual-benefit business relationships with customers from,Europe,America and south Asia,supplying obsolete and hard-to-find components to meet their specific needs.

With the principle of "Quality Parts,Customers Priority,Honest Operation,and Considerate Service",our business mainly focus on the distribution of electronic components. Line cards we deal with include Microchip,ALPS,ROHM,Xilinx,Pulse,ON,Everlight and Freescale. Main products comprise IC,Modules,Potentiometer,IC Socket,Relay,Connector.Our parts cover such applications as commercial,industrial, and automotives areas.

We are looking forward to setting up business relationship with you and hope to provide you with the best service and solution. Let us make a better world for our industry!



Contact us

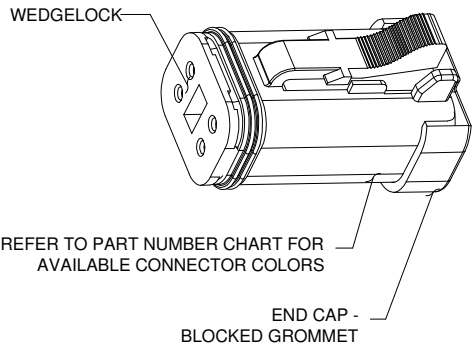
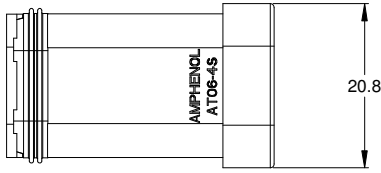
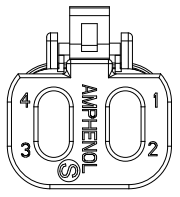
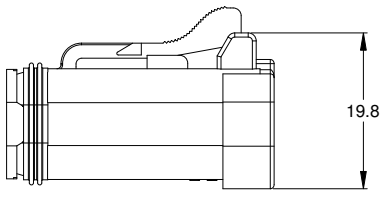
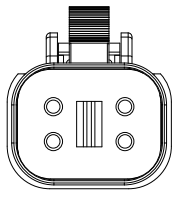
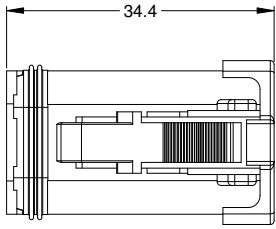
Tel: +86-755-8981 8866 Fax: +86-755-8427 6832

Email & Skype: info@chipsmall.com Web: www.chipsmall.com

Address: A1208, Overseas Decoration Building, #122 Zhenhua RD., Futian, Shenzhen, China



REVISIONS					
REV	ECO	DESCRIPTION	DATE	BY	APPR
A3	-	RELEASE NEW DWG FORMAT	03/JAN/14	ORION	
A4	C0548S	ADD WEDGELOCK AND UPDATE DIMENSIONS	26JUN16	JONY	



NOTES: UNLESS OTHERWISE SPECIFIED

1. MATERIAL:
 - HOUSING: THERMOPLASTIC
 - SEAL: SILICONE RUBBER
 - WEDGELOCK: THERMOPLASTIC
2. MODIFICATIONS: BLOCKED GROMMET
3. SPECIFICATIONS:
 - 3.1 CURRENT RATING: 13 AMPS
 - 3.2 OPERATING TEMPERATURE: -55°C TO +125°C
 - 3.3 DIELECTRIC WITHSTANDING VOLTAGE: LESS THAN 2 MILLIAMPS CURRENT LEAKAGE @ 1500 VOLTS AC.
 - 3.4 INSULATION RESISTANCE: 1000 MEGOHMS MIN @ 25°C.
 - 3.5 MOISTURE RESISTANCE: IP67 (MATED CONDITION)
 - 3.6 MATING CYCLE DURABILITY: 100 CYCLES
 - 3.7 RoHS COMPLIANT
4. MATING PART: AT04-4P* RECEPTACLE
(* = MODIFICATIONS AND COLORS)
5. ALL DIMENSIONS ARE FOR REFERENCE USE ONLY.

PART NUMBER CHART	
COLOR	PART NUMBER
GREY	AT06-4S-SS01
BLACK	AT06-4S-SS01BLK
BLUE	AT06-4S-SS01BLU
BROWN	AT06-4S-SS01BRN
GREEN	AT06-4S-SS01GRN
RED	AT06-4S-SS01RED
WHITE	AT06-4S-SS01WHT
YELLOW	AT06-4S-SS01YEL

SEE PART NUMBER CHART		PART NUMBER		DESCRIPTION		ITEM																																																						
QUANTITY																																																												
<table border="1"> <thead> <tr> <th>UNLESS OTHERWISE SPECIFIED</th> <th>SIGNATURES</th> <th>DATE</th> <th colspan="4" rowspan="5"> <div style="text-align: center;"> <h1>Amphenol</h1> <p>Sine Systems - www.amphenol-sine.com 44724 Morley Drive Clinton Township, MI 48036</p> <p>PLUG, 4 SOCKET, AT SERIES, BLOCKED GROMMET</p> </div> </th> </tr> <tr> <td>1) All dimensions are in metric(mm).</td> <td>DRAWN: ORIONLI</td> <td>03/JAN/14</td> <td rowspan="2">CHECKED:</td> <td rowspan="2">APPROVAL:</td> <td rowspan="2">CUSTOMER:</td> <td rowspan="2"> SIZE: B C- DWG NO: AT06-4S-SS01XXX REVISION: A4 </td> </tr> <tr> <td>2) Tolerances are as follows:</td> <td></td> <td></td> </tr> <tr> <td>1 PL DEC ±0.30 Fractions ±1/64</td> <td></td> <td></td> </tr> <tr> <td>2 PL DEC ±0.15 Angles ±1°</td> <td></td> <td></td> </tr> <tr> <td>3 PL DEC ±0.08</td> <td></td> <td></td> </tr> <tr> <td>3) Note reference = </td> <td></td> <td></td> <td></td> <td></td> <td></td> <td></td> </tr> <tr> <td>MATERIAL SPECIFICATIONS:</td> <td colspan="2">CUSTOMER:</td> <td colspan="4"> THIS DRAWING IS SUPPLIED FOR INFORMATION ONLY. DESIGN FEATURES, SPECIFICATIONS AND PERFORMANCE DATA SHOWN HEREON ARE THE PROPERTY OF THE AMPHENOL CORPORATION. NO RIGHTS OF REPRODUCTION ARE IMPLIED. ALL DIMENSIONS ARE SUBJECT TO NORMAL MANUFACTURING VARIATIONS. </td> </tr> <tr> <td>PROCESS SPECIFICATIONS:</td> <td colspan="2">CUSTOMER:</td> <td colspan="4"> SCALE: NONE SHEET 1 OF 1 </td> </tr> <tr> <td>NEXT ASSY:</td> <td colspan="2">CUSTOMER:</td> <td colspan="4"></td> </tr> </thead> </table>							UNLESS OTHERWISE SPECIFIED	SIGNATURES	DATE	<div style="text-align: center;"> <h1>Amphenol</h1> <p>Sine Systems - www.amphenol-sine.com 44724 Morley Drive Clinton Township, MI 48036</p> <p>PLUG, 4 SOCKET, AT SERIES, BLOCKED GROMMET</p> </div>				1) All dimensions are in metric(mm).	DRAWN: ORIONLI	03/JAN/14	CHECKED:	APPROVAL:	CUSTOMER:	SIZE: B C- DWG NO: AT06-4S-SS01XXX REVISION: A4	2) Tolerances are as follows:			1 PL DEC ±0.30 Fractions ±1/64			2 PL DEC ±0.15 Angles ±1°			3 PL DEC ±0.08			3) Note reference =							MATERIAL SPECIFICATIONS:	CUSTOMER:		THIS DRAWING IS SUPPLIED FOR INFORMATION ONLY. DESIGN FEATURES, SPECIFICATIONS AND PERFORMANCE DATA SHOWN HEREON ARE THE PROPERTY OF THE AMPHENOL CORPORATION. NO RIGHTS OF REPRODUCTION ARE IMPLIED. ALL DIMENSIONS ARE SUBJECT TO NORMAL MANUFACTURING VARIATIONS.				PROCESS SPECIFICATIONS:	CUSTOMER:		SCALE: NONE SHEET 1 OF 1				NEXT ASSY:	CUSTOMER:					
UNLESS OTHERWISE SPECIFIED	SIGNATURES	DATE	<div style="text-align: center;"> <h1>Amphenol</h1> <p>Sine Systems - www.amphenol-sine.com 44724 Morley Drive Clinton Township, MI 48036</p> <p>PLUG, 4 SOCKET, AT SERIES, BLOCKED GROMMET</p> </div>																																																									
1) All dimensions are in metric(mm).	DRAWN: ORIONLI	03/JAN/14					CHECKED:	APPROVAL:	CUSTOMER:					SIZE: B C- DWG NO: AT06-4S-SS01XXX REVISION: A4																																														
2) Tolerances are as follows:																																																												
1 PL DEC ±0.30 Fractions ±1/64																																																												
2 PL DEC ±0.15 Angles ±1°																																																												
3 PL DEC ±0.08																																																												
3) Note reference =																																																												
MATERIAL SPECIFICATIONS:	CUSTOMER:		THIS DRAWING IS SUPPLIED FOR INFORMATION ONLY. DESIGN FEATURES, SPECIFICATIONS AND PERFORMANCE DATA SHOWN HEREON ARE THE PROPERTY OF THE AMPHENOL CORPORATION. NO RIGHTS OF REPRODUCTION ARE IMPLIED. ALL DIMENSIONS ARE SUBJECT TO NORMAL MANUFACTURING VARIATIONS.																																																									
PROCESS SPECIFICATIONS:	CUSTOMER:		SCALE: NONE SHEET 1 OF 1																																																									
NEXT ASSY:	CUSTOMER:																																																											

TITLE: PLUG, 4 SOCKET, AT SERIES, BLOCKED GROMMET DWG NO: AT06-4S-SS01XXX REV: A4 SH: 1 OF: 1