



Chipsmall Limited consists of a professional team with an average of over 10 year of expertise in the distribution of electronic components. Based in Hongkong, we have already established firm and mutual-benefit business relationships with customers from,Europe,America and south Asia,supplying obsolete and hard-to-find components to meet their specific needs.

With the principle of "Quality Parts,Customers Priority,Honest Operation,and Considerate Service",our business mainly focus on the distribution of electronic components. Line cards we deal with include Microchip,ALPS,ROHM,Xilinx,Pulse,ON,Everlight and Freescale. Main products comprise IC,Modules,Potentiometer,IC Socket,Relay,Connector.Our parts cover such applications as commercial,industrial, and automotives areas.

We are looking forward to setting up business relationship with you and hope to provide you with the best service and solution. Let us make a better world for our industry!



Contact us

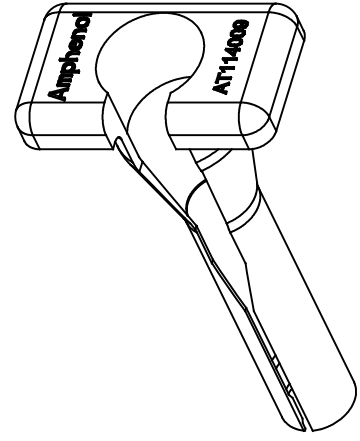
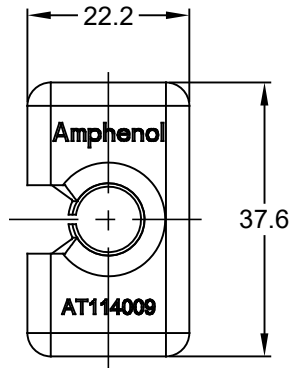
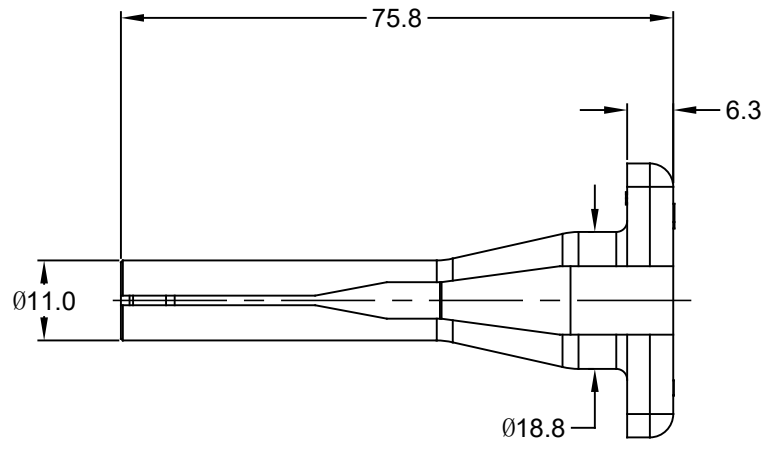
Tel: +86-755-8981 8866 Fax: +86-755-8427 6832

Email & Skype: info@chipsmall.com Web: www.chipsmall.com

Address: A1208, Overseas Decoration Building, #122 Zhenhua RD., Futian, Shenzhen, China



REVISIONS					
REV	ECO	DESCRIPTION	DATE	BY	APPR
01		PRELIMINARY DRAWING	18SEP17	SULLEN	TOMMY



NOTES: UNLESS OTHERWISE SPECIFIED

1. MATERIAL: THERMOPLASTIC; COLOR: WHITE
2. RoHS COMPLIANT
3. USE WITH AHDP SERIES
4. ALL DIMENSIONS ARE FOR REFERENCE USE ONLY.

AT114009		DESCRIPTION		ITEM
PART NUMBER		DESCRIPTION		ITEM
QUANTITY	MATERIALS LIST			
UNLESS OTHERWISE SPECIFIED		SIGNATURES		DATE
1) All dimensions are in metric(mm).		DRAWN: SULLEN.ZHANG		18SEP17
2) Tolerances are as follows:		CHECKED: ORION.LI		18SEP17
1 PL DEC ±0.30		ENGINEER:		
2 PL DEC ±0.15		APPROVAL: TOMMY.XIE		18SEP17
3 PL DEC ±0.08		CUSTOMER:		
Fractions ±1/64		THIS DRAWING IS SUPPLIED FOR		
Angles ±1°		INFORMATION ONLY. DESIGN FEATURES,		
3) Note reference =		SPECIFICATIONS AND PERFORMANCE DATA		
MATERIAL SPECIFICATIONS:		SHOWN HEREON ARE THE PROPERTY OF		
PROCESS SPECIFICATIONS:		THE AMPHENOL CORPORATION. NO RIGHTS		
NEXT ASSY:		OF REPRODUCTION ARE IMPLIED. ALL		
		DIMENSIONS ARE SUBJECT TO NORMAL		
		MANUFACTURING VARIATIONS.		
		SIZE	TYPE	DWG NO:
		A	C-	AT114009
		SCALE: NONE		REVISION
				01
		SHEET 1 OF 1		

Amphenol

Sine Systems - www.amphenol-sine.com
 44724 Morley Drive
 Clinton Township, MI 48036

PROBE TOOL, EXTRACTION SIZE 4