



Chipsmall Limited consists of a professional team with an average of over 10 year of expertise in the distribution of electronic components. Based in Hongkong, we have already established firm and mutual-benefit business relationships with customers from,Europe,America and south Asia,supplying obsolete and hard-to-find components to meet their specific needs.

With the principle of "Quality Parts,Customers Priority,Honest Operation,and Considerate Service",our business mainly focus on the distribution of electronic components. Line cards we deal with include Microchip,ALPS,ROHM,Xilinx,Pulse,ON,Everlight and Freescale. Main products comprise IC,Modules,Potentiometer,IC Socket,Relay,Connector.Our parts cover such applications as commercial,industrial, and automotives areas.

We are looking forward to setting up business relationship with you and hope to provide you with the best service and solution. Let us make a better world for our industry!



## Contact us

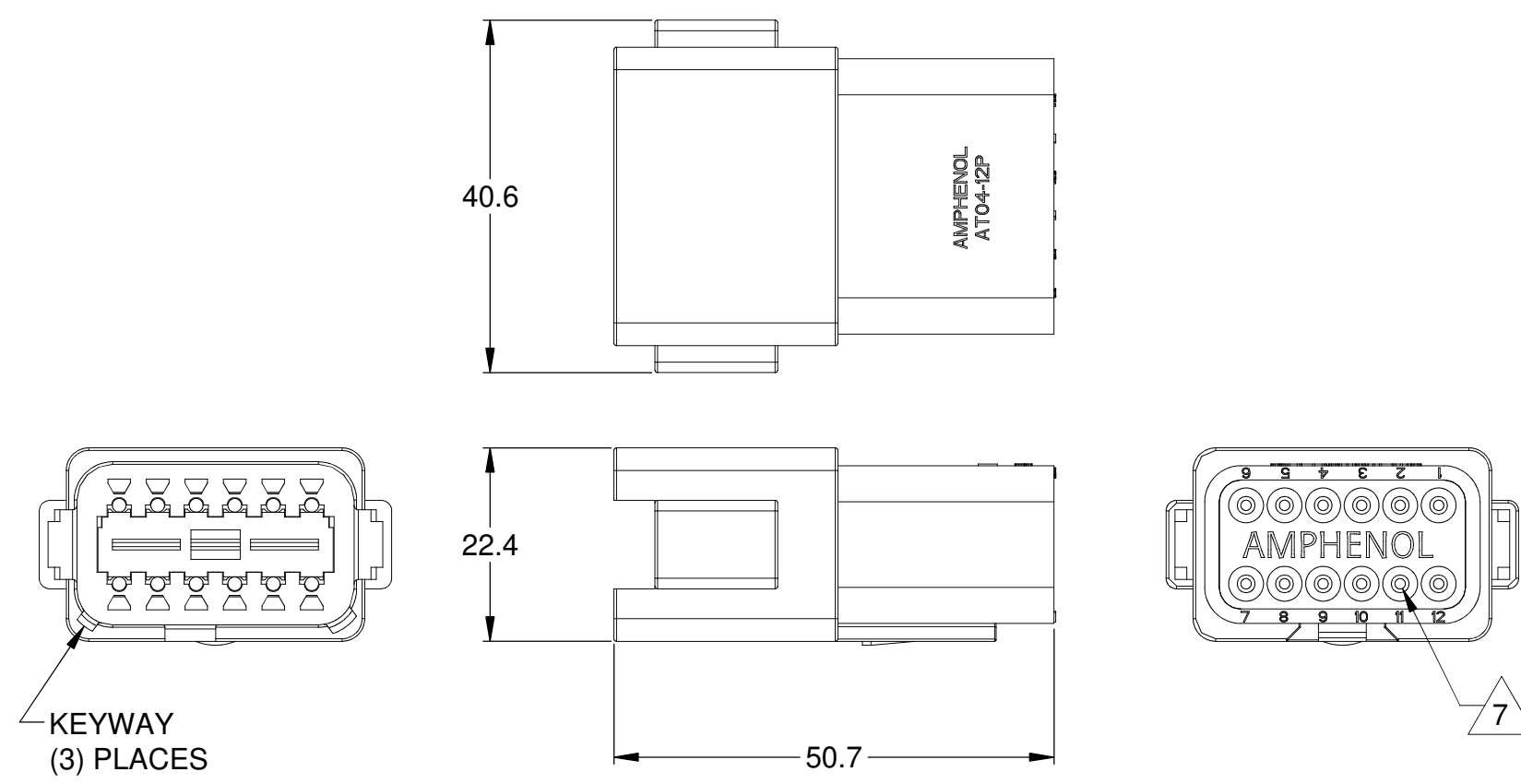
Tel: +86-755-8981 8866 Fax: +86-755-8427 6832

Email & Skype: info@chipsmall.com Web: www.chipsmall.com

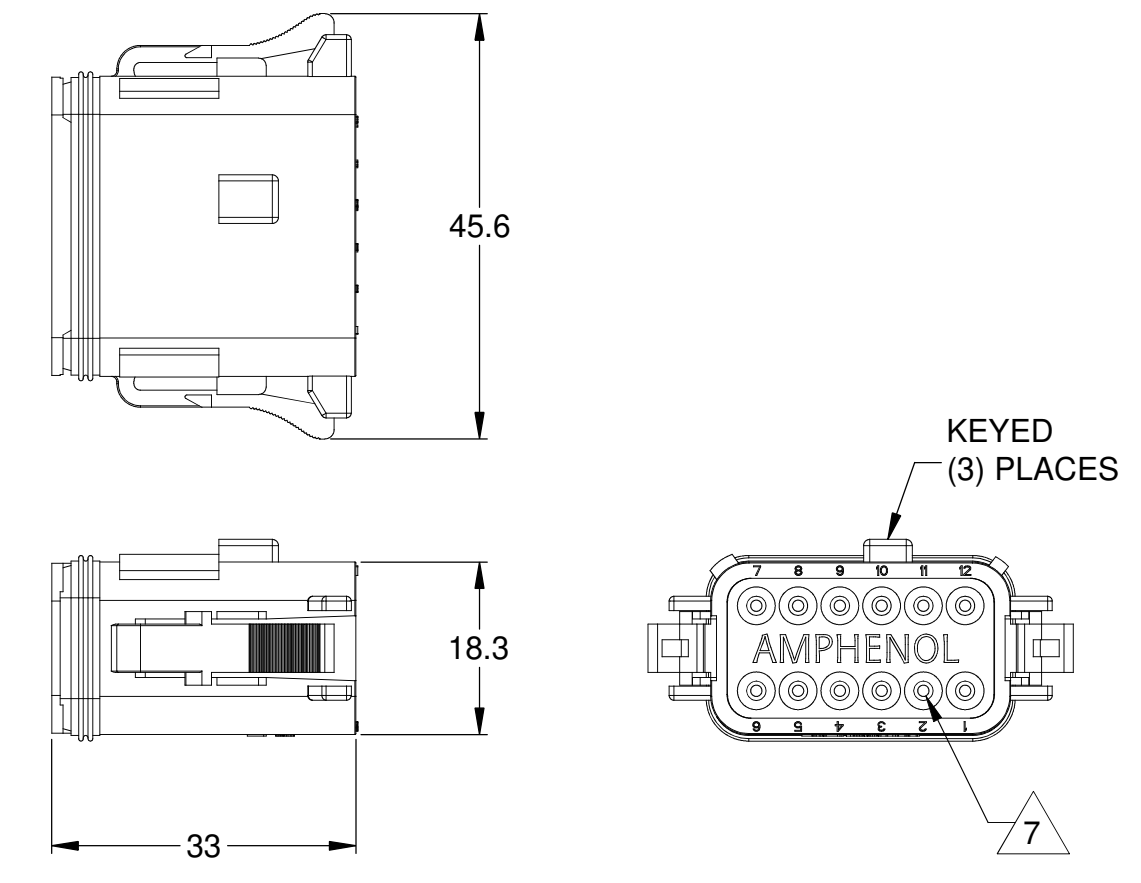
Address: A1208, Overseas Decoration Building, #122 Zhenhua RD., Futian, Shenzhen, China



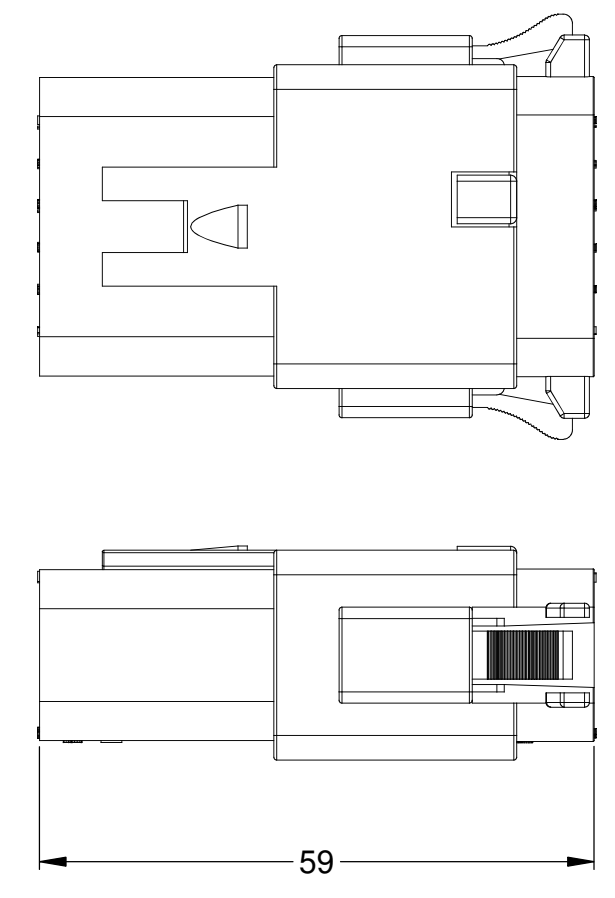
REVISIONS					
REV	ECO	DESCRIPTION	DATE	BY	APPR
A	-	RELEASE	30SEP13	DRP	-



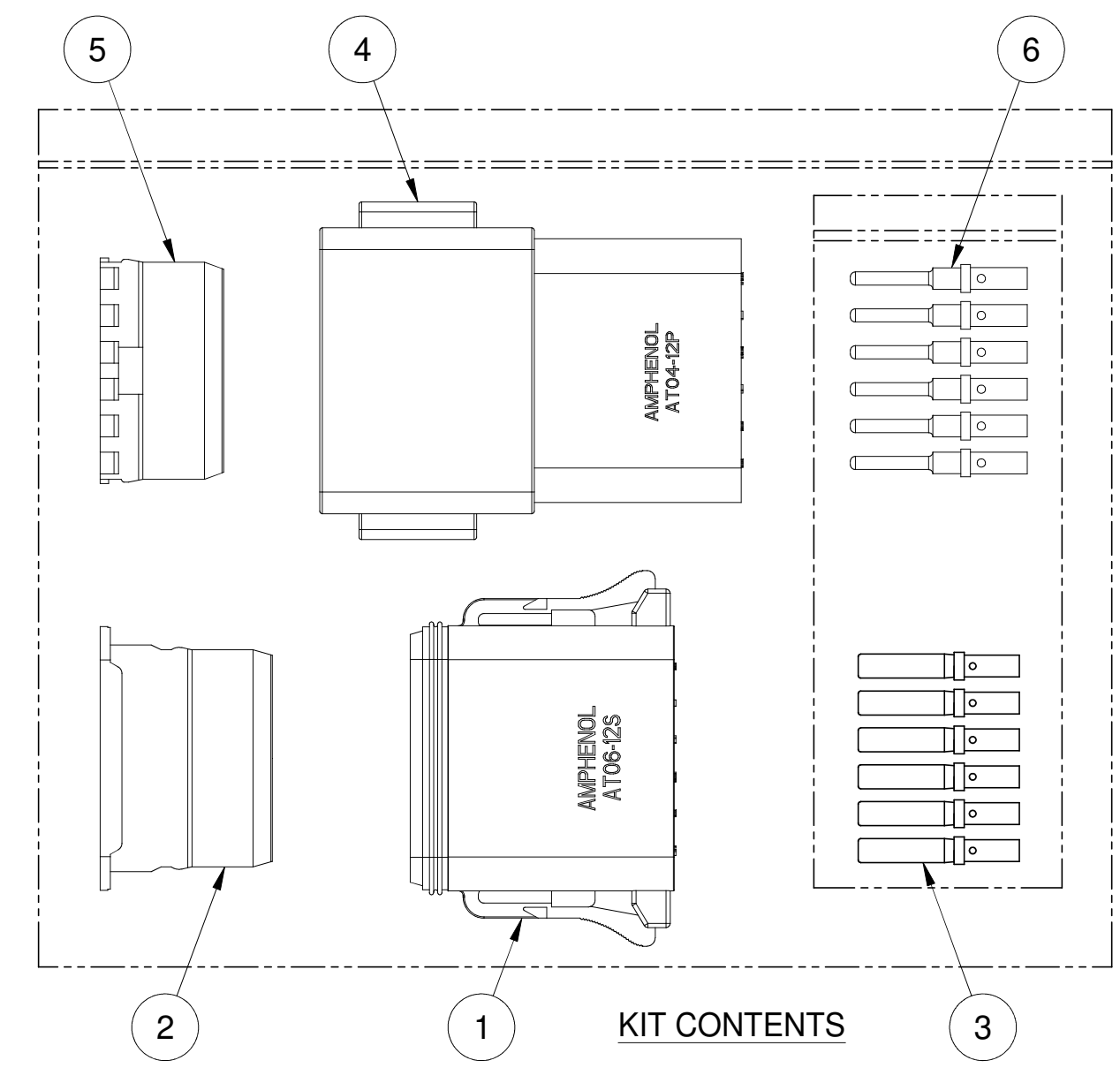
REFERENCE DIMENSIONS - ASSEMBLED RECEPTACLE



REFERENCE DIMENSIONS - ASSEMBLED PLUG



ASSEMBLED PLUG AND RECEPTACLE



KIT CONTENTS

NOTES: UNLESS OTHERWISE SPECIFIED

- MATERIAL:
  - HOUSING: THERMOPLASTIC; COLOR: GREY
  - WEDGELOCK: THERMOPLASTIC; COLOR: GREEN
  - SEALS: SILICONE RUBBER
  - CONTACTS: COPPER ALLOY; NICKEL PLATED
- SPECIFICATIONS:
  - 2.1 CURRENT RATING: 13 AMPS
  - 2.2 OPERATING TEMPERATURE: -55°C TO +125°C
  - 2.3 DIELECTRIC WITHSTANDING VOLTAGE: LESS THAN 2 MILLIAMPS CURRENT LEAKAGE @ 1500 VOLTS AC.
  - 2.4 INSULATION RESISTANCE: 1000 MEGOHMS MIN @ 25°C.
  - 2.5 CONTACT MILLIVOLT DROP: 60 MILLIVOLT DROP @ 13 AMP TEST CURRENT.
  - 2.6 MOISTURE RESISTANCE: IP67 ( MATED CONDITION )
  - 2.7 CONNECTOR MATING CYCLE DURABILITY: 100 CYCLES
- AVAILABLE HAND CRIMPER: CA-5D12
- ALL COMPONENTS ARE RoHS COMPLIANT.
- ALL DIMENSIONS ARE FOR REFERENCE USE ONLY.

CONTACT SIZE	MIN. INSUL. O.D.	MAX. INSUL. O.D.	TYPICAL WIRE RANGE
16	2.24 mm (.088 in)	3.68 mm (.145 in)	14 - 20 AWG

QTY	PART NUMBER	DESCRIPTION	ITEM
6	12	AT60-202-16141	CONTACT, PIN, SOLID, SIZE 16, 16-20 AWG
	1	AW12P	P-WEDGELOCK, 12 POSITION, AT SERIES
	1	AT04-12PA	RECEPTACLE, 12 PIN, AT SERIES
6	12	AT62-201-16141	CONTACT, SOCKET, SOLID, SIZE 16, 16 - 20 AWG
	1	AW12S	S-WEDGELOCK, 12 POSITION, AT SERIES
	1	AT06-12SA	PLUG, 12 SOCKET, AT SERIES

MATERIALS LIST			
UNLESS OTHERWISE SPECIFIED	SIGNATURES	DATE	
1) All dimensions are in metric(mm).	D.PARKS	30SEP13	
2) Tolerances are as follows:	CHECKED:		
1 PL DEC ±0.30	ENGINEER:		
2 PL DEC ±0.15	APPROVAL:		
3 PL DEC ±0.08	CUSTOMER:		
3) Note reference = $\Delta$			
<p><b>Amphenol</b></p> <p>Sine Systems - www.amphenol-sine.com 44724 Morley Drive Clinton Township, MI 48036</p> <p>KIT, AT SERIES, 12 POS. PLUG, RECEPTACLE, CONTACTS, AND WEDGELOCKS</p>			
PROCESS SPECIFICATIONS:	THIS DRAWING IS SUPPLIED FOR INFORMATION ONLY. DESIGN FEATURES, SPECIFICATIONS AND PERFORMANCE DATA SHOWN HEREON ARE THE PROPERTY OF THE AMPHENOL CORPORATION. NO RIGHTS OF REPRODUCTION ARE IMPLIED. ALL DIMENSIONS ARE SUBJECT TO NORMAL MANUFACTURING VARIATIONS.	SIZE	REVISION
NEXT ASSY:		C C-	A
		SCALE: NONE	SHEET 1 OF 1

TITLE: KIT, AT SERIES, 12 POS. PLUG, RECEPTACLE, CONTACTS & WEDGELOCKS  
DWG NO.: AT12PS-CKIT  
REV: A  
SH: 1  
OF: 1