



Chipsmall Limited consists of a professional team with an average of over 10 year of expertise in the distribution of electronic components. Based in Hongkong, we have already established firm and mutual-benefit business relationships with customers from,Europe,America and south Asia,supplying obsolete and hard-to-find components to meet their specific needs.

With the principle of “Quality Parts,Customers Priority,Honest Operation,and Considerate Service”,our business mainly focus on the distribution of electronic components. Line cards we deal with include Microchip,ALPS,ROHM,Xilinx,Pulse,ON,Everlight and Freescale. Main products comprise IC,Modules,Potentiometer,IC Socket,Relay,Connector.Our parts cover such applications as commercial,industrial, and automotives areas.

We are looking forward to setting up business relationship with you and hope to provide you with the best service and solution. Let us make a better world for our industry!



Contact us

Tel: +86-755-8981 8866 Fax: +86-755-8427 6832

Email & Skype: info@chipsmall.com Web: www.chipsmall.com

Address: A1208, Overseas Decoration Building, #122 Zhenhua RD., Futian, Shenzhen, China



Features

- Programmable 33,554,432 x 1-bit Serial Memories Designed to Store Configuration Programs for Field Programmable Gate Arrays (FPGAs)
- 3.3V Output Capability
- 5V Tolerant I/O Pins
- Program Support using the Atmel ATDH2200E System or Industry Third Party Programmers
- In-System Programmable (ISP) via 2-wire Bus
- Simple Interface to SRAM FPGAs
- Compatible with Altera® FLEX®, Excalibur™, Stratix™, Cyclone™ and APEX™ Devices
- Cascadable Read-back to Support Additional Configurations or Higher-density Arrays
- Low-power CMOS FLASH Process
- Available in 44 PLCC Packages
- Emulation of Atmel's AT24Cxxx Serial EEPROMs
- Low-power Standby Mode
- Single Device Capable of Holding 4 Individual Bit Stream Files Allowing Simple System Reconfiguration
- Endurance: 10,000 Write Cycles Typical
- Green (Lead and Halide-Free/ROHS Compliant) Package Options Available

1. Description

The AT17FxxA Series of In-System Programmable Configuration PROMs (Configurators) provide an easy-to-use, cost-effective configuration memory for Field Programmable Gate Arrays. The AT17FxxA Series device is packaged in the 44-lead PLCC see [Table 1-1](#). The AT17FxxA Series Configurator uses a simple serial-access procedure to configure one or more FPGA devices.

The AT17FxxA Series Configurators can be programmed with industry-standard programmers, Atmel's ATDH2200E Programming Kit or Atmel's ATDH2225 ISP Cable.

Table 1-1. AT17FxxA Series Packages

Package	AT17F32A
44-lead PLCC	Yes

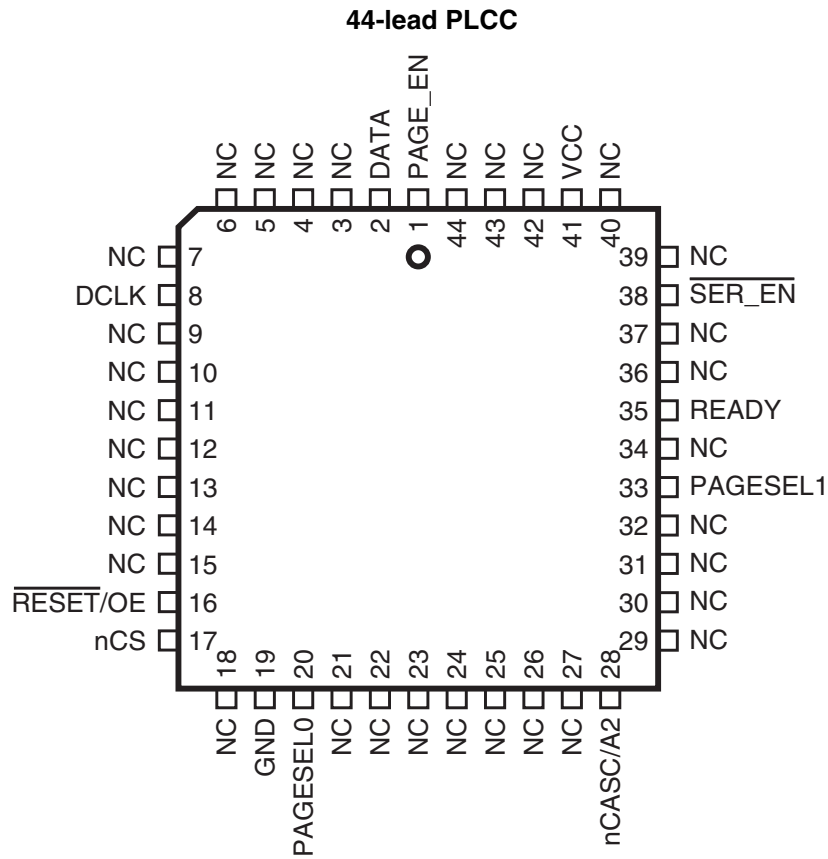


FPGA Configuration Flash Memory

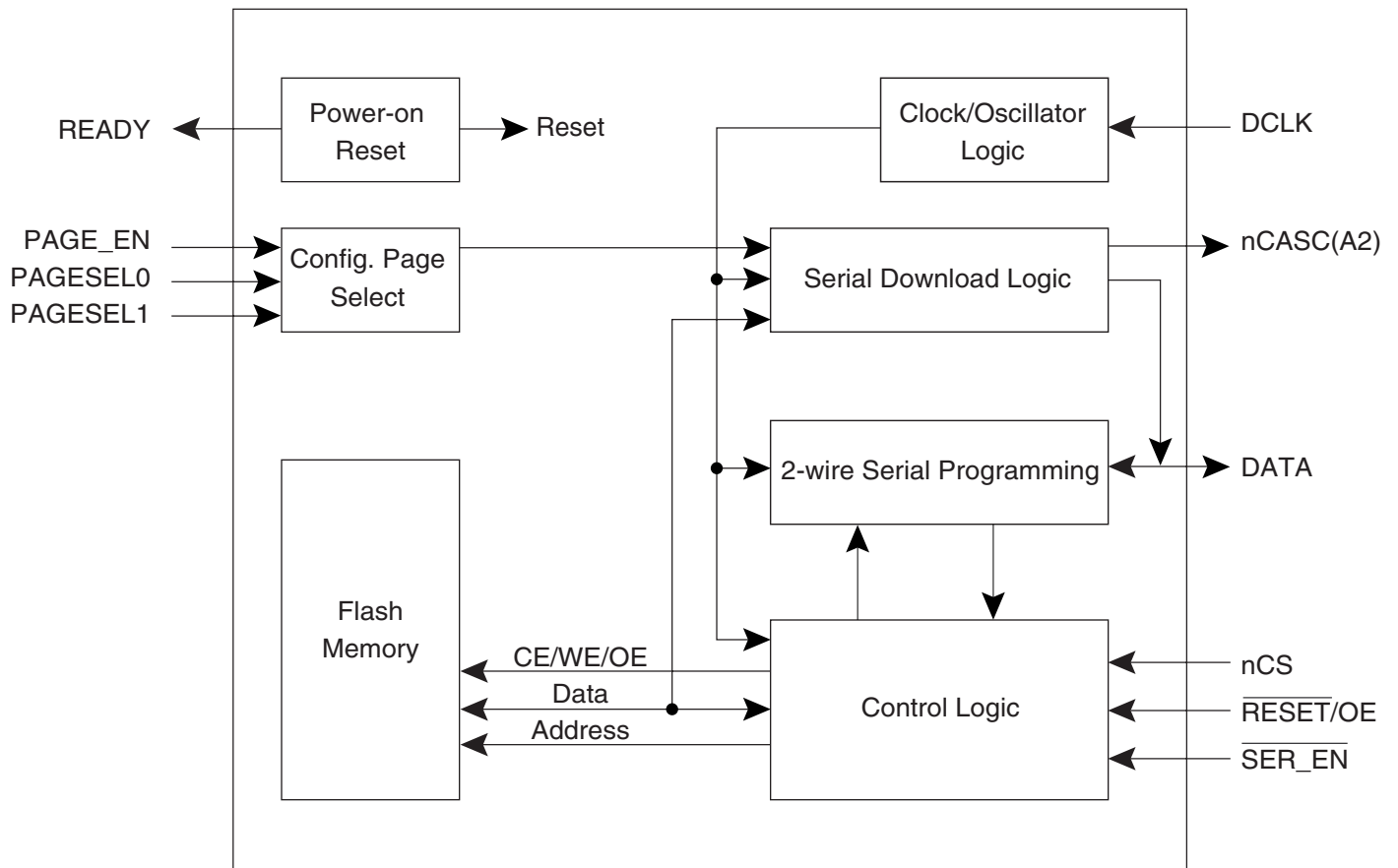
AT17F32A



2. Pin Configuration



3. Block Diagram



4. Device Description

The control signals for the configuration memory device (**nCS**, **RESET/OE** and **DCLK**) interface directly with the FPGA device control signals. All FPGA devices can control the entire configuration process and retrieve data from the configuration device without requiring an external intelligent controller.

The **RESET/OE** and **nCS** pins control the tri-state buffer on the **DATA** output pin and enable the address counter. When **RESET/OE** is driven Low, the configuration device resets its address counter and tri-states its **DATA** pin. The **nCS** pin also controls the output of the AT17FxxA Series Configurator. If **nCS** is held High after the **RESET/OE** reset pulse, the counter is disabled and the **DATA** output pin is tri-stated. When **OE** is subsequently driven High, the counter and the **DATA** output pin are enabled. When **RESET/OE** is driven Low again, the address counter is reset and the **DATA** output pin is tri-stated, regardless of the state of **nCS**.

When the configurator has driven out all of its data and **nCASC** is driven Low, the device tri-states the **DATA** pin to avoid contention with other configurators. Upon power-up, the address counter is automatically reset.

5. Pin Description

Name	I/O	AT17F32A
		44 PLCC
DATA	I/O	2
DCLK	I/O	8
PAGE_EN	I	1
PAGESEL0	I	20
PAGESEL1	I	33
$\overline{\text{RESET/OE}}$	I	16
nCS	I	17
GND	–	19
nCASC	O	28
A2	I	
READY	O	35
$\overline{\text{SER_EN}}$	I	38
V _{CC}	–	41

5.1 DATA⁽¹⁾

Three-state DATA output for FPGA configuration. Open-collector bi-directional pin for configuration programming.

5.2 DCLK⁽¹⁾

Three-state clock. Functions as an input when the Configurator is in programming mode (i.e. $\overline{\text{SER_EN}}$ is Low) and as an output during FPGA configuration.

5.3 PAGE_EN⁽²⁾

Input used to enable page download mode. When PAGE_EN is high the configuration download address space is partitioned into 4 equal pages. This gives users the ability to easily store and retrieve multiple configuration bitstreams from a single configuration device. This input works in conjunction with the PAGESEL inputs. PAGE_EN must be remain low if paging is not desired. When $\overline{\text{SER_EN}}$ is Low (ISP mode) this pin has no effect.

- Notes:
1. This pin has an internal 20 K Ω pull-up resistor.
 2. This pin has an internal 30 K Ω pull-down resistor.

5.4 PAGESEL[1:0]⁽²⁾

Page select inputs. Used to determine which of the 4 memory pages are targeted during a serial configuration download. The address space for each of the pages is shown in [Table 5-1](#). When $\overline{\text{SER_EN}}$ is Low (ISP mode) these pins have no effect.

Table 5-1. Address Space

Paging Decodes	AT17F32A (32 Mbits)
PAGESEL = 00, PAGE_EN = 1	000000 – 07FFFFh
PAGESEL = 01, PAGE_EN = 1	080000 – 0FFFFFFh
PAGESEL = 10, PAGE_EN = 1	100000 – 17FFFFh
PAGESEL = 11, PAGE_EN = 1	180000 – 1FFFFFFh
PAGESEL = XX, PAGE_EN = 0	000000 – 1FFFFFFh

5.5 $\overline{\text{RESET/OE}}$ ⁽¹⁾

Output Enable (active High) and RESET (active Low) when $\overline{\text{SER_EN}}$ is High. A Low level on $\overline{\text{RESET/OE}}$ resets both the address and bit counters. A High level (with nCS Low) enables the data output driver.

5.6 $\overline{\text{nCS}}$ ⁽¹⁾

Chip Enable input (active Low). A Low level (with OE High) allows DCLK to increment the address counter and enables the data output driver. A High level on nCS disables both the address and bit counters and forces the device into a low-power standby mode. Note that this pin will *not* enable/disable the device in the 2-wire Serial Programming mode ($\overline{\text{SER_EN}}$ Low).

5.7 GND

Ground pin. A 0.2 μF decoupling capacitor between V_{CC} and GND is recommended.

5.8 nCASC

Cascade Select Output (when $\overline{\text{SER_EN}}$ is High). This output goes Low when the internal address counter has reached its maximum value. If the PAGE_EN input is set High, the maximum value is the highest address in the selected partition. The PAGESEL[1:0] inputs are used to make the 4 partition selections. If the PAGE_EN input is set Low, the device is not partitioned and the address maximum value is the highest address in the device, see [Table 5-1 on page 5](#). In a daisy chain of AT17FxxA Series devices, the nCASC pin of one device must be connected to the nCS input of the next device in the chain. It will stay Low as long as nCS is Low and OE is High. It will then follow nCS until OE goes Low; thereafter, nCASC will stay High until the entire EEPROM is read again.

- Notes:
1. This pin has an internal 20 K Ω pull-up resistor.
 2. This pin has an internal 30 K Ω pull-down resistor.

5.9 A2⁽¹⁾

Device selection input, (when $\overline{\text{SER_EN}}$ Low). The input is used to enable (or chip select) the device during programming (i.e., when $\overline{\text{SER_EN}}$ is Low). Refer to the AT17FxxA Programming Specification available on the Atmel web site for additional details.

5.10 READY

Open collector reset state indicator. Driven Low during power-up reset, released when power-up is complete. (recommended 4.7 k Ω pull-up on this pin if used).

5.11 $\overline{\text{SER_EN}}$ ⁽¹⁾

The serial enable input must remain High during FPGA configuration operations. Bringing $\overline{\text{SER_EN}}$ Low enables the 2-Wire Serial Programming Mode. For non-ISP applications, $\overline{\text{SER_EN}}$ should be tied to V_{CC} .

5.12 V_{CC}

+3.3V ($\pm 10\%$).

- Notes:
1. This pin has an internal 20 k Ω pull-up resistor.
 2. This pin has an internal 30 k Ω pull-down resistor.

6. FPGA Master Serial Mode Summary

The I/O and logic functions of any SRAM-based FPGA are established by a configuration program. The program is loaded either automatically upon power-up, or on command, depending on the state of the FPGA mode pins. In Master mode, the FPGA automatically loads the configuration program from an external memory. The AT17FxxA Serial Configuration PROM has been designed for compatibility with the Master Serial mode.

This document discusses the Atmel AT40K, AT40KAL and AT94KAL applications as well as Altera applications.

7. Control of Configuration

Most connections between the FPGA device and the AT17FxxA Serial Configurator PROM are simple and self-explanatory.

- The DATA output of the AT17FxxA Series Configurator drives DIN of the FPGA devices.
- The DCLK output of the AT17FxxA device drives the DCLK input data of the FPGA.
- The nCASC output of a AT17FxxA Series Configurator drives the nCS input of the next Configurator in a cascade chain of configurator devices.
- $\overline{\text{SER_EN}}$ must be at logic High level (internal pull-up resistor provided) except during ISP.
- The READY pin is available as an open-collector indicator of the device's reset status; it is driven Low while the device is in its power-on reset cycle and released (tri-stated) when the cycle is complete.
- PAGE_EN must remain Low if download paging is not desired. If paging is desired, PAGE_EN must be High and the PAGESEL pins must be set to High or Low such that the desired page is selected, see [Table 5-1 on page 5](#).

8. Cascading Serial Configuration Devices

For multiple FPGAs configured as a daisy-chain, or for FPGAs requiring larger configuration memories, cascaded configurators provide additional memory.

After the last bit from the first configurator is read, the clock signal to the configurator asserts its nCASC output Low and disables its DATA line driver. The second configurator recognizes the Low level on its nCS input and enables its DATA output.

After configuration is complete, the address counters of all cascaded configurators are reset if the $\overline{\text{RESET/OE}}$ on each configurator is driven to its active (Low) level.

If the address counters are not to be reset upon completion, then the $\overline{\text{RESET/OE}}$ input can be tied to its inactive (High) level.

9. Programming Mode

The programming mode is entered by bringing $\overline{\text{SER_EN}}$ Low. In this mode the chip can be programmed by the 2-wire serial bus. The programming is done at V_{CC} supply only. Programming super voltages are generated inside the chip. The AT17FxxA parts are read/write at 3.3V nominal. Refer to the AT17FxxA Programming Specification available on the Atmel web site (www.atmel.com) for more programming details. AT17FxxA devices are supported by the Atmel ATDH2200 programming system along with many third party programmers.

10. Standby Mode

The AT17FxxA Series Configurators enter a low-power standby mode whenever $\overline{\text{SER_EN}}$ is High and nCS is asserted High. In this mode, the AT17FxxA Configurator typically consumes less than 1 mA of current at 3.3V. The output remains in a high-impedance state regardless of the state of the OE input.

11. Absolute Maximum Ratings*

Operating Temperature.....	-40°C to +85°C
Storage Temperature	-65°C to +150°C
Voltage on Any Pin with Respect to Ground	-0.5V to $V_{CC} + 0.5V$
Supply Voltage (V_{CC})	-0.5V to +4.0V
Maximum Soldering Temp. (10 sec. @ 1/16 in.).....	260°C
ESD ($R_{ZAP} = 1.5K$, $C_{ZAP} = 100$ pF).....	2000V

*NOTICE: Stresses beyond those listed under Absolute Maximum Ratings may cause permanent damage to the device. This is a stress rating only and functional operation of the device at these or any other conditions beyond those listed under operating conditions is not implied. Exposure to Absolute Maximum Rating conditions for extended periods of time may affect device reliability.

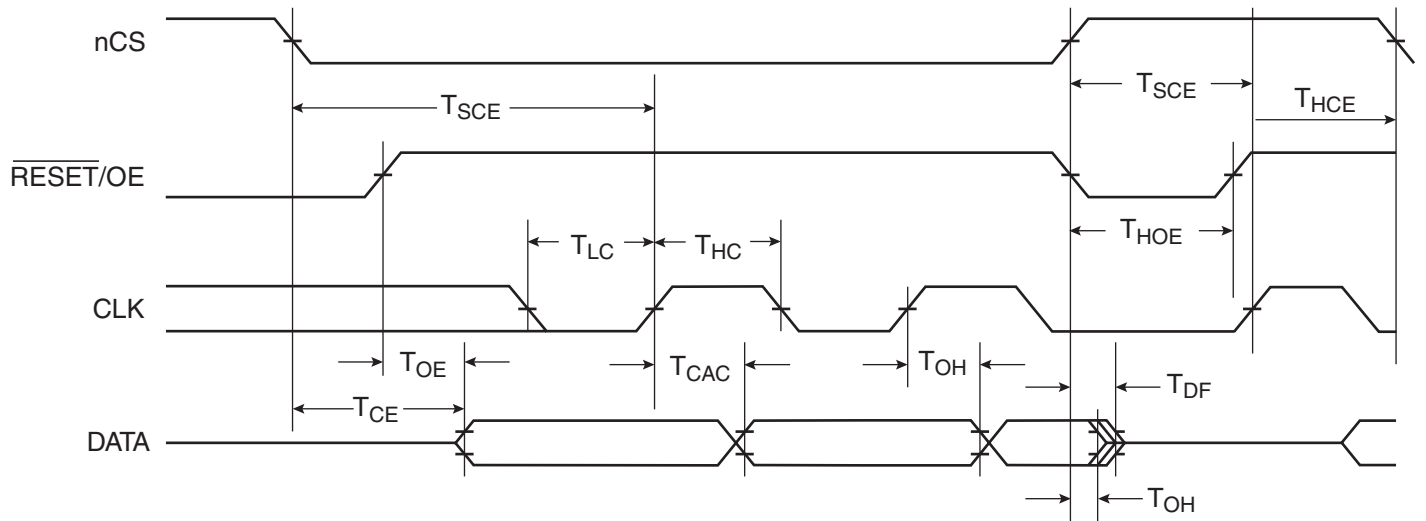
12. Operating Conditions

Symbol	Description	AT17FxxA Series Configurator		Units	
		Min	Max		
V_{CC}	Commercial	Supply voltage relative to GND -0°C to +70°C	2.97	3.63	V
	Industrial	Supply voltage relative to GND -40°C to +85°C	2.97	3.63	V

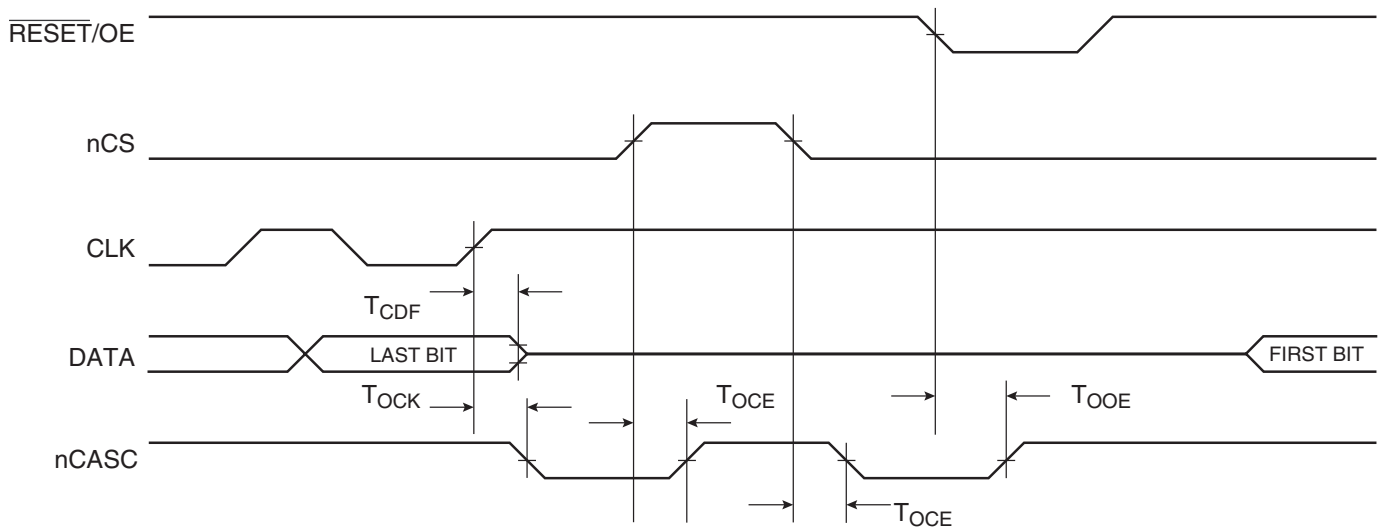
13. DC Characteristics

Symbol	Description	AT17F32A		Units
		Min	Max	
V_{IH}	High-level Input Voltage	2.0	V_{CC}	V
V_{IL}	Low-level Input Voltage	0	0.8	V
V_{OH}	High-level Output Voltage ($I_{OH} = -2.5$ mA)	2.4		V
V_{OL}	Low-level Output Voltage ($I_{OL} = +3$ mA)			0.4
V_{OH}	High-level Output Voltage ($I_{OH} = -2$ mA)	2.4		V
V_{OL}	Low-level Output Voltage ($I_{OL} = +3$ mA)			0.4
I_{CCA}	Supply Current, Active Mode at Freq. Max.		50	mA
I_L	Input or Output Leakage Current ($V_{IN} = V_{CC}$ or GND)	-10	10	μA
I_{CCS}	Supply Current, Standby Mode	Commercial	3	mA
		Industrial	3	mA

14. AC Characteristics



15. AC Characteristics when Cascading



16. AC Characteristics

Symbol	Description	AT17F32A			Units
		Min	Typ	Max	
T _{OE} ⁽²⁾	OE to Data Delay	Commercial		50	ns
		Industrial ⁽¹⁾		55	ns
T _{CE} ⁽²⁾	nCS to Data Delay	Commercial		55	ns
		Industrial ⁽¹⁾		60	ns
T _{CAC} ⁽²⁾	DCLK to Data Delay	Commercial		30	ns
		Industrial ⁽¹⁾		30	ns
T _{OH}	Data Hold from nCS, OE, or DCLK	Commercial	0		ns
		Industrial ⁽¹⁾	0		ns
T _{DF} ⁽³⁾	nCS or OE to Data Float Delay	Commercial		15	ns
		Industrial ⁽¹⁾		15	ns
T _{LC}	DCLK Low Time	Commercial	15		ns
		Industrial ⁽¹⁾	15		ns
T _{HC}	DCLK High Time	Commercial	15		ns
		Industrial ⁽¹⁾	15		ns
T _{SCE}	nCS Setup Time to DCLK (to guarantee proper counting)	Commercial	20		ns
		Industrial ⁽¹⁾	25		ns
T _{HCE}	nCS Hold Time from DCLK (to guarantee proper counting)	Commercial	0		ns
		Industrial ⁽¹⁾	0		ns
T _{HOE}	$\overline{\text{RESET}}$ /OE Low Time (guarantees counter is reset)	Commercial	20		ns
		Industrial ⁽¹⁾	20		ns
F _{MAX}	Maximum Input Clock Frequency $\overline{\text{SEREN}} = 0$	Commercial		10	MHz
		Industrial ⁽¹⁾		10	MHz
T _{WR}	Write Cycle Time ⁽⁴⁾	Commercial	12		μs
		Industrial ⁽¹⁾	12		μs
T _{EC}	Erase Cycle Time ⁽⁴⁾	Commercial	50		s
		Industrial ⁽¹⁾	50		s

- Notes:
1. Preliminary specifications for military operating range only.
 2. AC test lead = 50 pF.
 3. Float delays are measured with 5 pF AC loads. Transition is measured ±200 mV from steady-state active levels.
 4. See the AT17F Programming Specification for procedural information.
 5. The times given are per byte (typical).

AC Characteristics When Cascading

Symbol	Description	AT17F32A		Units
		Min	Max	
T _{CDF} ⁽³⁾	DCLK to Data Float Delay	Commercial	50	ns
		Industrial	50	ns
T _{OCK} ⁽²⁾	DCLK to nCASC Delay	Commercial	50	ns
		Industrial	55	ns
T _{OCE} ⁽²⁾	nCS to nCASC Delay	Commercial	35	ns
		Industrial	40	ns
T _{OOE} ⁽²⁾	$\overline{\text{RESET/OE}}$ to nCASC Delay	Commercial	35	ns
		Industrial	35	ns

- Notes: 1. AC test lead = 50 pF.
 2. Float delays are measured with 5 pF AC loads. Transition is measured ± 200 mV from steady-state active levels.

17. Thermal Resistance Coefficients

Package Type		AT17F32A	
44J	Plastic Leaded Chip Carrier (PLCC)	θ_{JC} [°C/W]	–
		θ_{JA} [°C/W] ⁽¹⁾	–

- Note: 1. Airflow = 0 ft/min.



18. Ordering Information

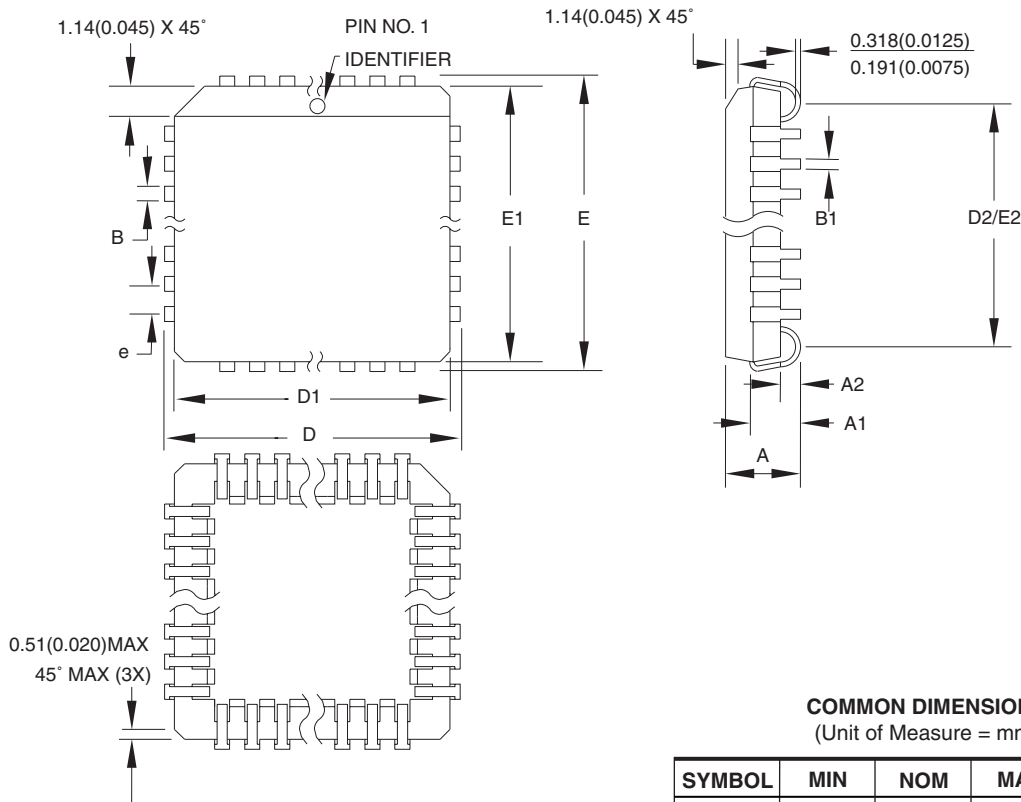
Memory Size	Ordering Code	Package	Operation Range
32-Mbit	AT17F32A-30BJI	44J-44PLCC	Industrial (-40°C to 85°C)
	AT17F32A-30BJU	44J-44PLCC	LHF Industrial (-40°C to 85°C)

Note: 1. The last time buy date is December 29, 2006 for the shaded parts.

Package Type	
44J	44-lead, Plastic J-leaded Chip Carrier (PLCC)

19. Packaging Information

19.1 44J – PLCC



COMMON DIMENSIONS
(Unit of Measure = mm)

SYMBOL	MIN	NOM	MAX	NOTE
A	4.191	-	4.572	
A1	2.286	-	3.048	
A2	0.508	-	-	
D	17.399	-	17.653	
D1	16.510	-	16.662	Note 2
E	17.399	-	17.653	
E1	16.510	-	16.662	Note 2
D2/E2	14.986	-	16.002	
B	0.660	-	0.813	
B1	0.330	-	0.533	
e	1.270 TYP			

- Notes:
1. This package conforms to JEDEC reference MS-018, Variation AC.
 2. Dimensions D1 and E1 do not include mold protrusion. Allowable protrusion is .010" (0.254 mm) per side. Dimension D1 and E1 include mold mismatch and are measured at the extreme material condition at the upper or lower parting line.
 3. Lead coplanarity is 0.004" (0.102 mm) maximum.

10/04/01



2325 Orchard Parkway
San Jose, CA 95131

TITLE

44J, 44-lead, Plastic J-leaded Chip Carrier (PLCC)

DRAWING NO.

44J

REV.

B





Headquarters

Atmel Corporation
2325 Orchard Parkway
San Jose, CA 95131
USA
Tel: 1(408) 441-0311
Fax: 1(408) 487-2600

International

Atmel Asia
Room 1219
Chinachem Golden Plaza
77 Mody Road Tsimshatsui
East Kowloon
Hong Kong
Tel: (852) 2721-9778
Fax: (852) 2722-1369

Atmel Europe
Le Krebs
8, Rue Jean-Pierre Timbaud
BP 309
78054 Saint-Quentin-en-
Yvelines Cedex
France
Tel: (33) 1-30-60-70-00
Fax: (33) 1-30-60-71-11

Atmel Japan
9F, Tonetsu Shinkawa Bldg.
1-24-8 Shinkawa
Chuo-ku, Tokyo 104-0033
Japan
Tel: (81) 3-3523-3551
Fax: (81) 3-3523-7581

Product Contact

Web Site
www.atmel.com

Technical Support
configurator@atmel.com

Sales Contact
www.atmel.com/contacts

Literature Requests
www.atmel.com/literature

Disclaimer: The information in this document is provided in connection with Atmel products. No license, express or implied, by estoppel or otherwise, to any intellectual property right is granted by this document or in connection with the sale of Atmel products. **EXCEPT AS SET FORTH IN ATMEL'S TERMS AND CONDITIONS OF SALE LOCATED ON ATMEL'S WEB SITE, ATMEL ASSUMES NO LIABILITY WHATSOEVER AND DISCLAIMS ANY EXPRESS, IMPLIED OR STATUTORY WARRANTY RELATING TO ITS PRODUCTS INCLUDING, BUT NOT LIMITED TO, THE IMPLIED WARRANTY OF MERCHANTABILITY, FITNESS FOR A PARTICULAR PURPOSE, OR NON-INFRINGEMENT. IN NO EVENT SHALL ATMEL BE LIABLE FOR ANY DIRECT, INDIRECT, CONSEQUENTIAL, PUNITIVE, SPECIAL OR INCIDENTAL DAMAGES (INCLUDING, WITHOUT LIMITATION, DAMAGES FOR LOSS OF PROFITS, BUSINESS INTERRUPTION, OR LOSS OF INFORMATION) ARISING OUT OF THE USE OR INABILITY TO USE THIS DOCUMENT, EVEN IF ATMEL HAS BEEN ADVISED OF THE POSSIBILITY OF SUCH DAMAGES.** Atmel makes no representations or warranties with respect to the accuracy or completeness of the contents of this document and reserves the right to make changes to specifications and product descriptions at any time without notice. Atmel does not make any commitment to update the information contained herein. Unless specifically provided otherwise, Atmel products are not suitable for, and shall not be used in, automotive applications. Atmel's products are not intended, authorized, or warranted for use as components in applications intended to support or sustain life.

© 2007 Atmel Corporation. All rights reserved. Atmel®, logo and combinations thereof, Everywhere You Are®, and others are registered trademarks or trademarks of Atmel Corporation or its subsidiaries. Other terms and product names may be trademarks of others.