



Chipsmall Limited consists of a professional team with an average of over 10 year of expertise in the distribution of electronic components. Based in Hongkong, we have already established firm and mutual-benefit business relationships with customers from,Europe,America and south Asia,supplying obsolete and hard-to-find components to meet their specific needs.

With the principle of “Quality Parts,Customers Priority,Honest Operation,and Considerate Service”,our business mainly focus on the distribution of electronic components. Line cards we deal with include Microchip,ALPS,ROHM,Xilinx,Pulse,ON,Everlight and Freescale. Main products comprise IC,Modules,Potentiometer,IC Socket,Relay,Connector.Our parts cover such applications as commercial,industrial, and automotives areas.

We are looking forward to setting up business relationship with you and hope to provide you with the best service and solution. Let us make a better world for our industry!



Contact us

Tel: +86-755-8981 8866 Fax: +86-755-8427 6832

Email & Skype: info@chipsmall.com Web: www.chipsmall.com

Address: A1208, Overseas Decoration Building, #122 Zhenhua RD., Futian, Shenzhen, China



I²C-Compatible (2-Wire) Serial EEPROM
128-Kbit (16,384 x 8)

DATASHEET

Features

- Low-voltage and Standard-voltage Operation
 - $V_{CC} = 1.7V$ to 5.5V
- Internally Organized as 16,384 x 8
- 2-wire Serial Interface
- Schmitt Trigger, Filtered Inputs for Noise Suppression
- Bidirectional Data Transfer Protocol
- 400kHz (1.7V) and 1MHz (2.5V, 2.7V, 5.0V) Compatibility
- Write Protect Pin for Hardware Protection
- 64-byte Page Write Mode
 - Partial Page Writes Allowed
- Self-timed Write Cycle (5ms Max)
- High Reliability
 - Endurance: 1,000,000 Write Cycles
 - Data Retention: 40 Years
- Lead-free/Halogen-free Devices Available
- Green Package Options (Pb/Halide-free/RoHS Compliant)
 - 8-lead JEDEC SOIC, 8-lead TSSOP, 8-pad UDFN, 8-pad XDFN, 8-ball VFBGA, and 4-ball WLCSP Packages
- Die Sale Options: Wafer Form, Waffle Pack, and Bumped Wafers

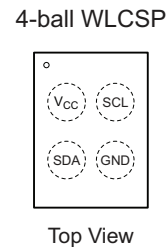
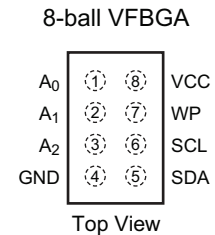
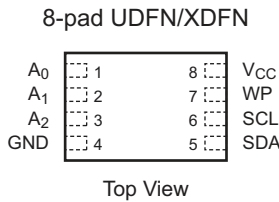
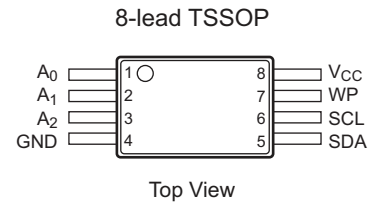
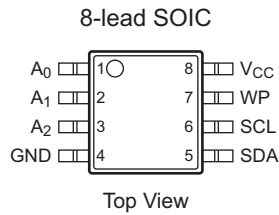
Description

The Atmel® AT24C128C provides 131,072-bits of Serial Electrically Erasable and Programmable Read-Only Memory (EEPROM) organized as 16,384 words of 8 bits each. The device's cascading feature allows up to eight devices to share a common 2-wire bus. The device is optimized for use in many industrial and commercial applications where low-power and low-voltage operation are essential. The devices are available in space-saving 8-lead JEDEC SOIC, 8-lead TSSOP, 8-pad UDFN, 8-pad XDFN, 8-ball VFBGA, and 4-ball WLCSP packages. In addition, this device operates from 1.7V to 5.5V.

1. Pin Configurations and Pinouts

Table 1-1. Pin Configuration

| Pin | Function |
|-----------------|---------------------|
| A ₀ | Address Input |
| A ₁ | Address Input |
| A ₂ | Address Input |
| GND | Ground |
| SDA | Serial Data |
| SCL | Serial Clock Input |
| WP | Write Protect |
| V _{CC} | Device Power Supply |



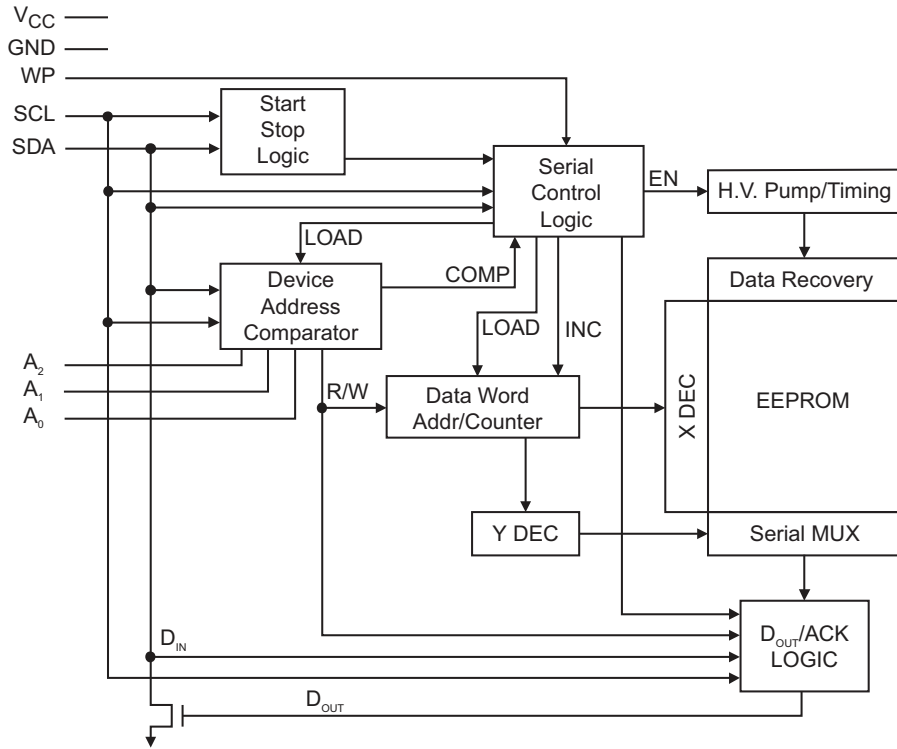
2. Absolute Maximum Ratings*

| | |
|---|-----------------|
| Operating Temperature | -55°C to +125°C |
| Storage Temperature | -65°C to +150°C |
| Voltage on any pin with respect to ground | -1.0 V +7.0V |
| Maximum Operating Voltage | 6.25V |
| DC Output Current | 5.0mA |

*Notice: Stresses beyond those listed under “Absolute Maximum Ratings” may cause permanent damage to the device. This is a stress rating only and functional operation of the device at these or any other conditions beyond those indicated in the operational sections of this specification are not implied. Exposure to absolute maximum rating conditions for extended periods may affect device reliability.

3. Block Diagram

Figure 3-1. Block Diagram



4. Pin Descriptions

Serial Clock (SCL): The SCL input is used to positive-edge clock data into each EEPROM device and negative-edge clock data out of each device.

Serial Data (SDA): The SDA pin is bidirectional for serial data transfer. This pin is open drain driven and may be wire-ORed with any number of other open-drain or open-collector devices.

Device Addresses (A₂, A₁, A₀): The A₂, A₁, and A₀ pins are device address inputs that are hard wired (directly to GND or to V_{CC}) for compatibility with other Atmel AT24C devices. When the pins are hard wired, as many as eight 128K devices may be addressed on a single bus system. (Device addressing is discussed in detail in [Section 7. “Device Addressing” on page 9](#)). A device is selected when a corresponding hardware and software match is true. If these pins are left floating, the A₂, A₁, and A₀ pins will be internally pulled down to GND. However, due to capacitive coupling that may appear during customer applications, Atmel recommends always connecting the address pins to a known state. When using a pull-up resistor, Atmel recommends using 10kΩ or less.

Write Protect (WP): The Write Protect input, when connected to GND, allows normal write operations. When WP is connected directly to V_{CC}, all write operations to the memory are inhibited. If the pin is left floating, the WP pin will be internally pulled down to GND. However, due to capacitive coupling that may appear during customer applications, Atmel recommends always connecting the WP pins to a known state. When using a pull-up resistor, Atmel recommends using 10kΩ or less.

Table 4-1. Write Protect

| WP Pin Status | Part of the Array Protected |
|--------------------|------------------------------|
| At V _{CC} | Full Array |
| At GND | Normal Read/Write Operations |

5. Memory Organization

AT24C128C, 128K Serial EEPROM: The 128K is internally organized as 256 pages of 64-bytes each. Random word addressing requires a 14-bit data word address.

5.1 Pin Capacitance

Table 5-1. Pin Capacitance⁽¹⁾

Applicable over recommended operating range from: $T_A = 25^\circ\text{C}$, $f = 1.0\text{MHz}$, $V_{CC} = 1.7\text{V}$ to 5.5V .

| Symbol | Test Condition | Max | Units | Conditions |
|-----------|--|-----|-------|-----------------------|
| $C_{I/O}$ | Input/Output Capacitance (SDA) | 8 | pF | $V_{I/O} = 0\text{V}$ |
| C_{IN} | Input Capacitance (A_0 , A_1 , A_2 , and SCL) | 6 | pF | $V_{IN} = 0\text{V}$ |

Note: 1. This parameter is characterized and is not 100% tested.

5.2 DC Characteristics

Table 5-2. DC Characteristics

Applicable over recommended operating range from: $T_{AI} = -40^\circ\text{C}$ to $+85^\circ\text{C}$, $V_{CC} = 1.7\text{V}$ to 5.5V (unless otherwise noted).

| Symbol | Parameter | Test Condition | | Min | Typ | Max | Units |
|-----------|---|--------------------------------|-------------------------------|---------------------|------|---------------------|---------------|
| V_{CC1} | Supply Voltage | | | 1.7 | | 5.5 | V |
| I_{CC1} | Supply Current | $V_{CC} = 5.0\text{V}$ | Read at 400kHz | | 1.0 | 2.0 | mA |
| I_{CC2} | Supply Current | $V_{CC} = 5.0\text{V}$ | Write at 400kHz | | 2.0 | 3.0 | mA |
| I_{SB1} | Standby Current | $V_{CC} = 1.7\text{V}$ | $V_{IN} = V_{CC}$ or V_{SS} | | | 1.0 | μA |
| | | $V_{CC} = 5.0\text{V}$ | | | | 6.0 | μA |
| I_{LI} | Input Leakage Current $V_{CC} = 5.0\text{V}$ | $V_{IN} = V_{CC}$ or V_{SS} | | | 0.10 | 3.0 | μA |
| I_{LO} | Output Leakage Current $V_{CC} = 5.0\text{V}$ | $V_{OUT} = V_{CC}$ or V_{SS} | | | 0.05 | 3.0 | μA |
| V_{IL} | Input Low Level ⁽¹⁾ | | | -0.6 | | $V_{CC} \times 0.3$ | V |
| V_{IH} | Input High Level ⁽¹⁾ | | | $V_{CC} \times 0.7$ | | $V_{CC} + 0.5$ | V |
| V_{OL1} | Output Low Level | $V_{CC} = 1.7\text{V}$ | $I_{OL} = 0.15\text{mA}$ | | | 0.2 | V |
| V_{OL2} | Output Low Level | $V_{CC} = 3.0\text{V}$ | $I_{OL} = 2.1\text{mA}$ | | | 0.4 | V |

Note: 1. V_{IL} min and V_{IH} max are reference only and are not tested.

5.3 AC Characteristics

Table 5-3. AC Characteristics (Industrial Temperature)

Applicable over recommended operating range from: $T_{AI} = -40^{\circ}\text{C}$ to $+85^{\circ}\text{C}$, $V_{CC} = 1.7\text{V}$ to 5.5V , $CL = 100\text{pF}$ (unless otherwise noted). Test conditions are listed in Note 2.

| Symbol | Parameter | 1.7V | | 2.5V, 5.0V | | Units |
|--------------------------|--|-----------|-----|------------|------|--------------|
| | | Min | Max | Min | Max | |
| f_{SCL} | Clock Frequency, SCL | | 400 | | 1000 | kHz |
| t_{LOW} | Clock Pulse Width Low | 1300 | | 400 | | ns |
| t_{HIGH} | Clock Pulse Width High | 600 | | 400 | | ns |
| t_I | Noise Suppression Time ⁽¹⁾ | | 100 | | 50 | ns |
| t_{AA} | Clock Low to Data Out Valid | 50 | 900 | 50 | 550 | ns |
| t_{BUF} | Time the bus must be free before a new transmission can start ⁽¹⁾ | 1300 | | 500 | | ns |
| $t_{HD.STA}$ | Start Hold Time | 600 | | 250 | | ns |
| $t_{SU.STA}$ | Start Set-up Time | 600 | | 250 | | ns |
| $t_{HD.DAT}$ | Data In Hold Time | 0 | | 0 | | ns |
| $t_{SU.DAT}$ | Data In Set-up Time | 100 | | 100 | | ns |
| t_R | Inputs Rise Time ⁽¹⁾ | | 300 | | 300 | ns |
| t_F | Inputs Fall Time ⁽¹⁾ | | 300 | | 100 | ns |
| $t_{SU.STO}$ | Stop Set-up Time | 600 | | 250 | | ns |
| t_{DH} | Data Out Hold Time | 50 | | 50 | | ns |
| t_{WR} | Write Cycle Time | | 5 | | 5 | ms |
| Endurance ⁽¹⁾ | 25°C, Page Mode, 3.3V | 1,000,000 | | | | Write Cycles |

Notes: 1. This parameter is ensured by characterization and is not 100% tested.

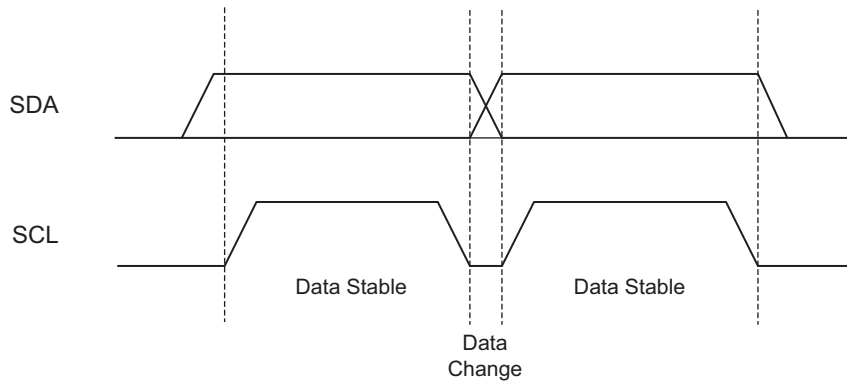
2. AC measurement conditions:

- R_L (connects to V_{CC}): 1.3k Ω (2.5V, 5.5V), 10k Ω (1.7V)
- Input pulse voltages: 0.3 V_{CC} to 0.7 V_{CC}
- Input rise and fall times: $\leq 50\text{ns}$
- Input and output timing reference voltages: 0.5 x V_{CC}

6. Device Operation

Clock and Data Transitions: The SDA pin is normally pulled high with an external device. Data on the SDA pin may change only during SCL low time periods. Data changes during SCL high periods will indicate a start or stop condition as defined below.

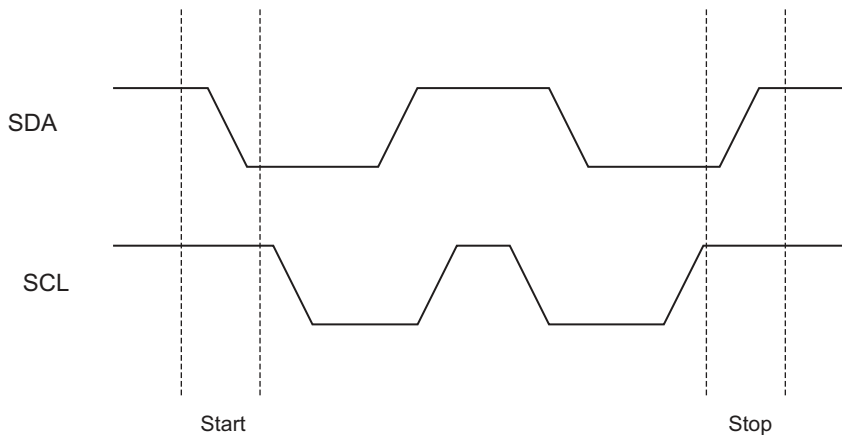
Figure 6-1. Data Validity



Start Condition: A high-to-low transition of SDA with SCL high is a start condition that must precede any other command.

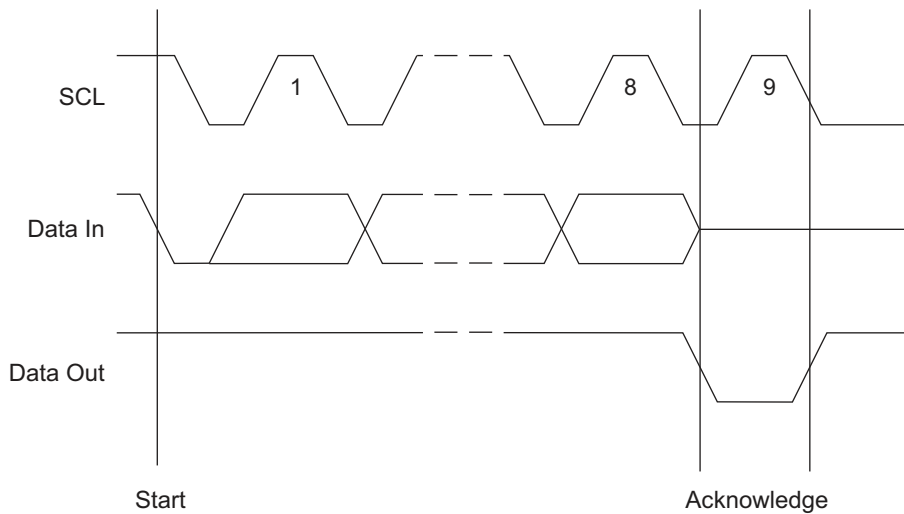
Stop Condition: A low-to-high transition of SDA with SCL high is a stop condition. After a read sequence, the stop command will place the EEPROM in a standby power mode.

Figure 6-2. Start and Stop Definition



Acknowledge: All addresses and data words are serially transmitted to and from the EEPROM in 8-bit words. The EEPROM sends a zero during the ninth clock cycle to acknowledge that it has received each word.

Figure 6-3. Output Acknowledge



Standby Mode: AT24C128C features a low-power standby mode that is enabled upon power-up and after the receipt of the stop bit and the completion of any internal operations.

Software Reset: After an interruption in protocol, power loss or system reset, any 2-wire part can be protocol reset by following these steps:

1. Create a Start condition (if possible).
2. Clock nine cycles.
3. Create another Start condition followed by Stop condition as shown below.

The device should be ready for the next communication after above steps have been completed. In the event that the device is still non-responsive or remains active on the SDA bus, a power cycle must be used to reset the device.

Figure 6-4. Software Reset

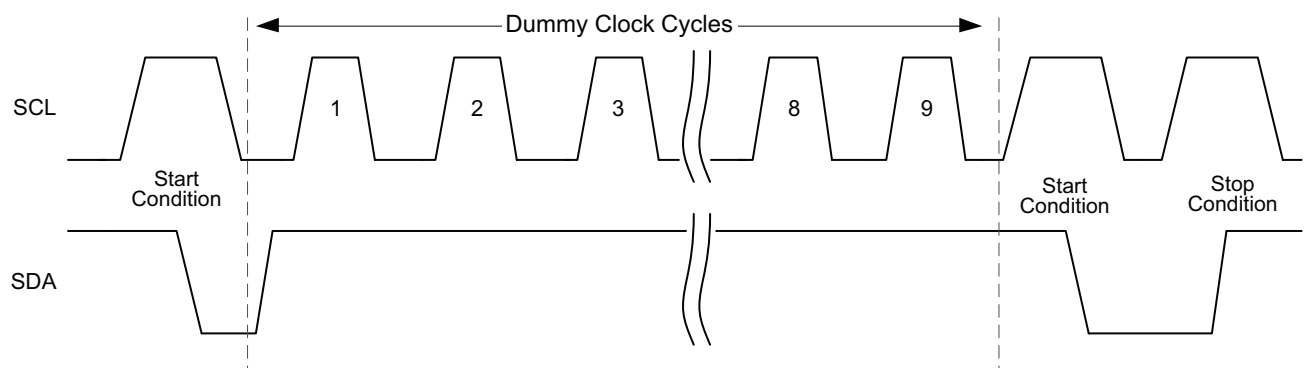


Figure 6-5. Bus Timing

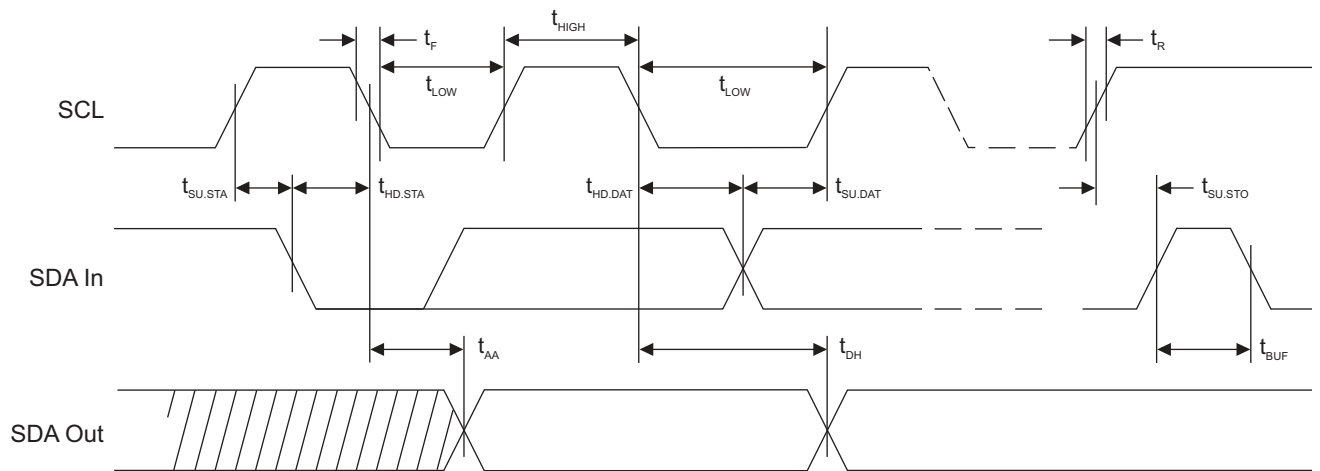
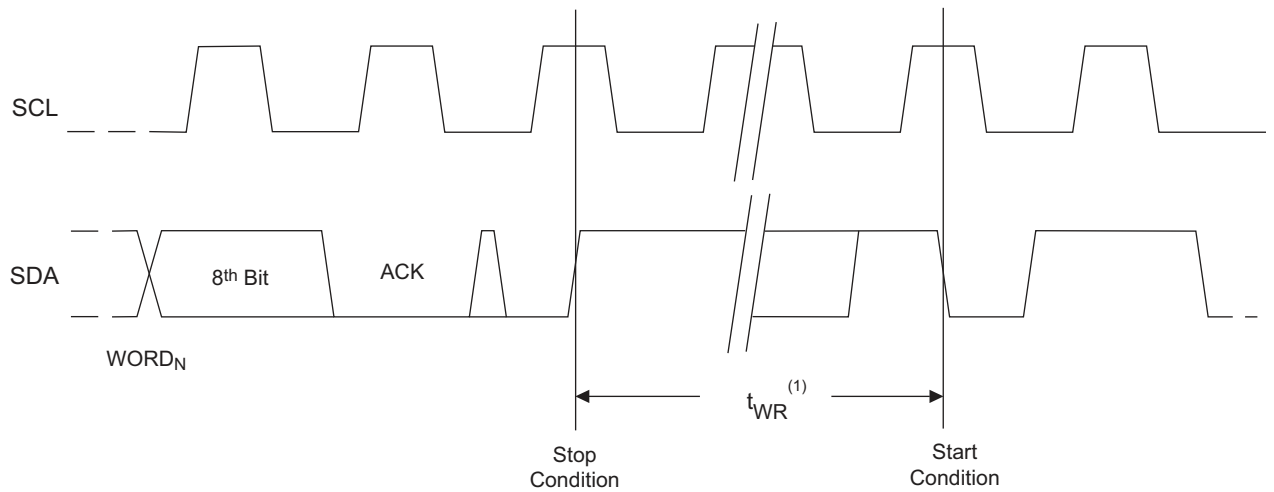


Figure 6-6. Write Cycle Timing



Note: 1. The write cycle time t_{WR} is the time from a valid stop condition of a write sequence to the end of the internal clear/write cycle.

7. Device Addressing

The 128K EEPROM requires an 8-bit device address word following a start condition to enable the chip for a read or write operation. The device address word consists of a mandatory one, zero sequence for the first four most significant bits as shown. This is common to all 2-wire EEPROM devices.

Table 7-1. Device Address Byte

| Package | Device Type Identifier | | | | Hardware Slave Address Bits | | | Read/ Write |
|--------------------------------|------------------------|-------|-------|-------|-----------------------------|----------------|----------------|-------------------|
| | Bit 7 | Bit 6 | Bit 5 | Bit 4 | Bit 3 | Bit 2 | Bit 1 | Bit 0 |
| SOIC, TSSOP, UDFN, XDFN, VFBGA | 1 | 0 | 1 | 0 | A ₂ | A ₁ | A ₀ | R/ \overline{W} |
| WLCSP | 1 | 0 | 1 | 0 | 0 | 0 | 1 | R/ \overline{W} |

The next three bits are the A₂, A₁, and A₀ device address bits to allow as many as eight devices on the same bus. These bits must compare to their corresponding hard wired input pins. The A₂, A₁, and A₀ pins use an internal proprietary circuit that biases them to a logic low condition if the pins are allowed to float.

When using the WLCSP package, the A₂, A₁, and A₀ signals are not accessible. The A₂ and A₁ pins are left floating, and the previously mentioned automatic pull-down circuit will set these signals to a Logic 0 state. The A₀ signal is internally connected to V_{CC}. As a result, to properly communicate with the device in the WLCSP package, the A₂ and A₁ software bits must always be set to a Logic 0, and the A₀ software bit must be set to Logic 1 for any operation. This requirement has been shown in [Table 7-1](#).

The eighth bit of the device address is the read/write operation select bit. A read operation is initiated if this bit is high, and a write operation is initiated if this bit is low.

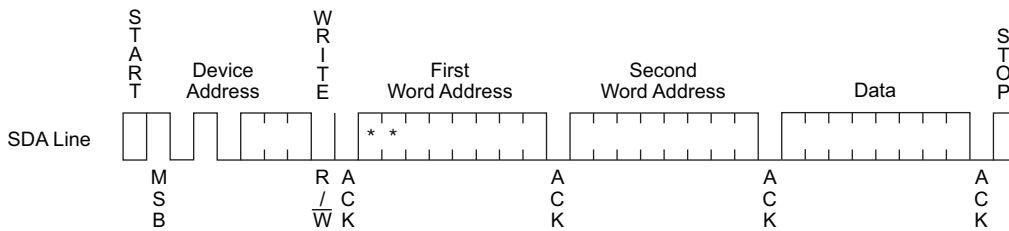
Upon a compare of the device address, the EEPROM will output a zero. If a compare is not made, the device will return to a standby state.

Data Security: AT24C128C has a hardware data protection scheme that allows the user to write protect the whole memory when the WP pin is at V_{CC}.

8. Write Operations

Byte Write: A write operation requires two 8-bit data word addresses following the device address word and acknowledgment. Upon receipt of this address, the EEPROM will again respond with a zero, and then clock in the first 8-bit data word. Following receipt of the 8-bit data word, the EEPROM will output a zero. The addressing device, such as a microcontroller, must then terminate the write sequence with a stop condition. At this time, the EEPROM enters an internally-timed write cycle, t_{WR} , to the nonvolatile memory. All inputs are disabled during this write cycle and the EEPROM will not respond until the write is complete.

Figure 8-1. Byte Write

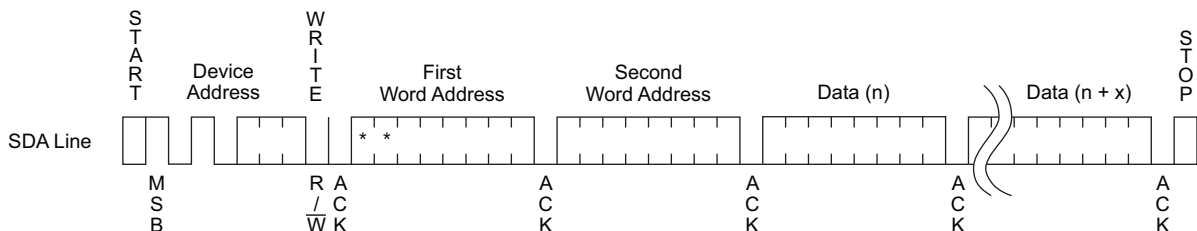


Note: * = Don't care bit

Page Write: The 128K EEPROM is capable of 64-byte page writes.

A page write is initiated the same way as a byte write, but the microcontroller does not send a stop condition after the first data word is clocked in. Instead, after the EEPROM acknowledges receipt of the first data word, the microcontroller can transmit up to 63 more data words. The EEPROM will respond with a zero after each data word received. The microcontroller must terminate the page write sequence with a stop condition.

Figure 8-2. Page Write



Note: * = Don't care bit

The data word address lower six bits are internally incremented following the receipt of each data word. The higher data word address bits are not incremented, retaining the memory page row location. When the word address, internally generated, reaches the page boundary, the following byte is placed at the beginning of the same page. If more than 64 data words are transmitted to the EEPROM, the data word address will roll-over and the previous data will be overwritten. The address roll-over during write is from the last byte of the current page to the first byte of the same page.

Acknowledge Polling: Once the internally-timed write cycle has started and the EEPROM inputs are disabled, acknowledge polling can be initiated. This involves sending a start condition followed by the device address word. The read/write bit is representative of the operation desired. Only if the internal write cycle has completed will the EEPROM respond with a zero, allowing the read or write sequence to continue.

9. Read Operations

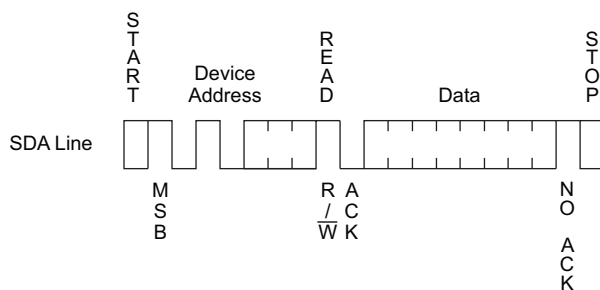
Read operations are initiated the same way as write operations with the exception that the read/write select bit in the device address word is set to one. There are three read operations:

- Current Address Read
- Random Address Read
- Sequential Read

Current Address Read: The internal data word address counter maintains the last address accessed during the last read or write operation, incremented by one. This address stays valid between operations as long as the chip power is maintained. The address roll-over during read is from the last byte of the last memory page, to the first byte of the first page.

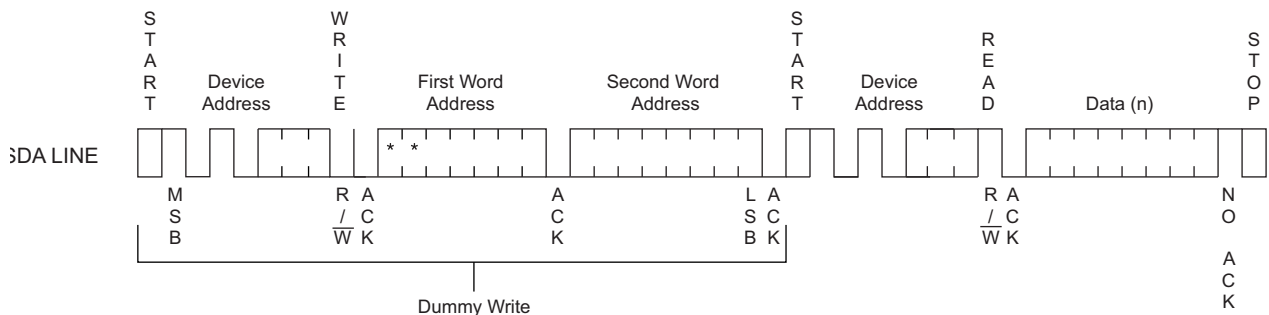
Once the device address with the read/write select bit set to one is clocked in and acknowledged by the EEPROM, the current address data word is serially clocked out. The microcontroller does not respond with an input zero but does generate a following stop condition.

Figure 9-1. Current Address Read



Random Read: A Random Read requires a dummy byte write sequence to load in the data word address. Once the device address word and data word address are clocked in and acknowledged by the EEPROM, the microcontroller must generate another start condition. The microcontroller now initiates a Current Address Read by sending a device address with the read/write select bit high. The EEPROM acknowledges the device address and serially clocks out the data word. The microcontroller does not respond with a zero but does generate a following stop condition.

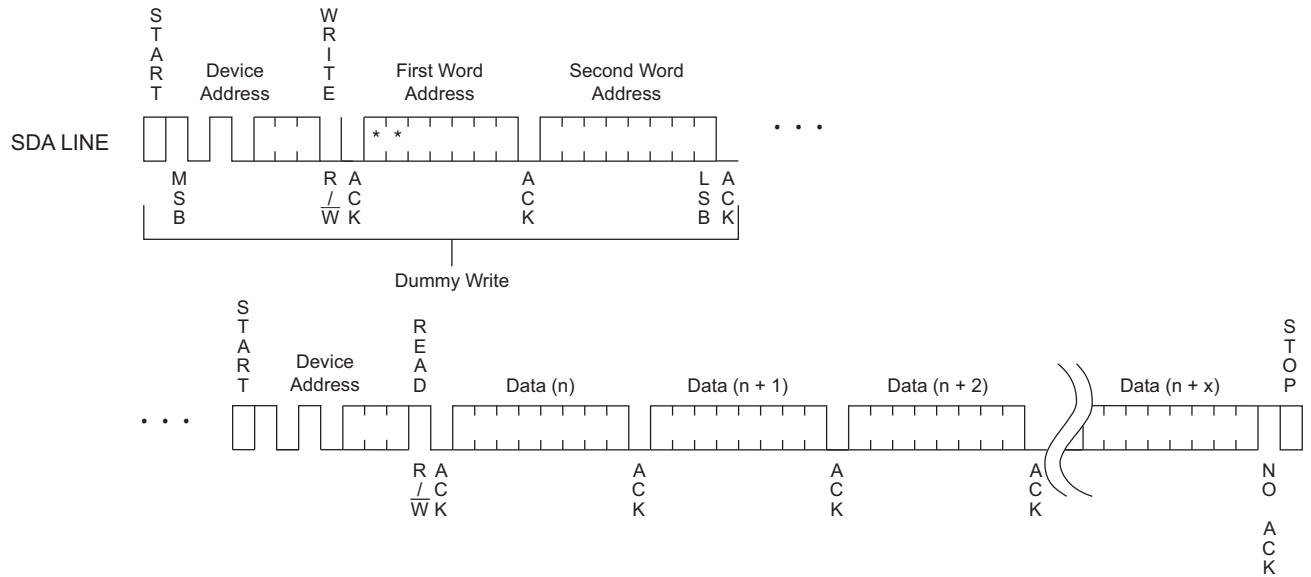
Figure 9-2. Random Read



Note: * = Don't care bit

Sequential Read: Sequential Reads are initiated by either a Current Address Read or a Random Address Read. After the microcontroller receives a data word, it responds with an acknowledge. As long as the EEPROM receives an acknowledge, it will continue to increment the data word address and serially clock out sequential data words. When the memory address maximum address is reached, the data word address will roll-over and the Sequential Read will continue from the beginning of the array. The Sequential Read operation is terminated when the microcontroller does not respond with a zero but does generate a following stop condition.

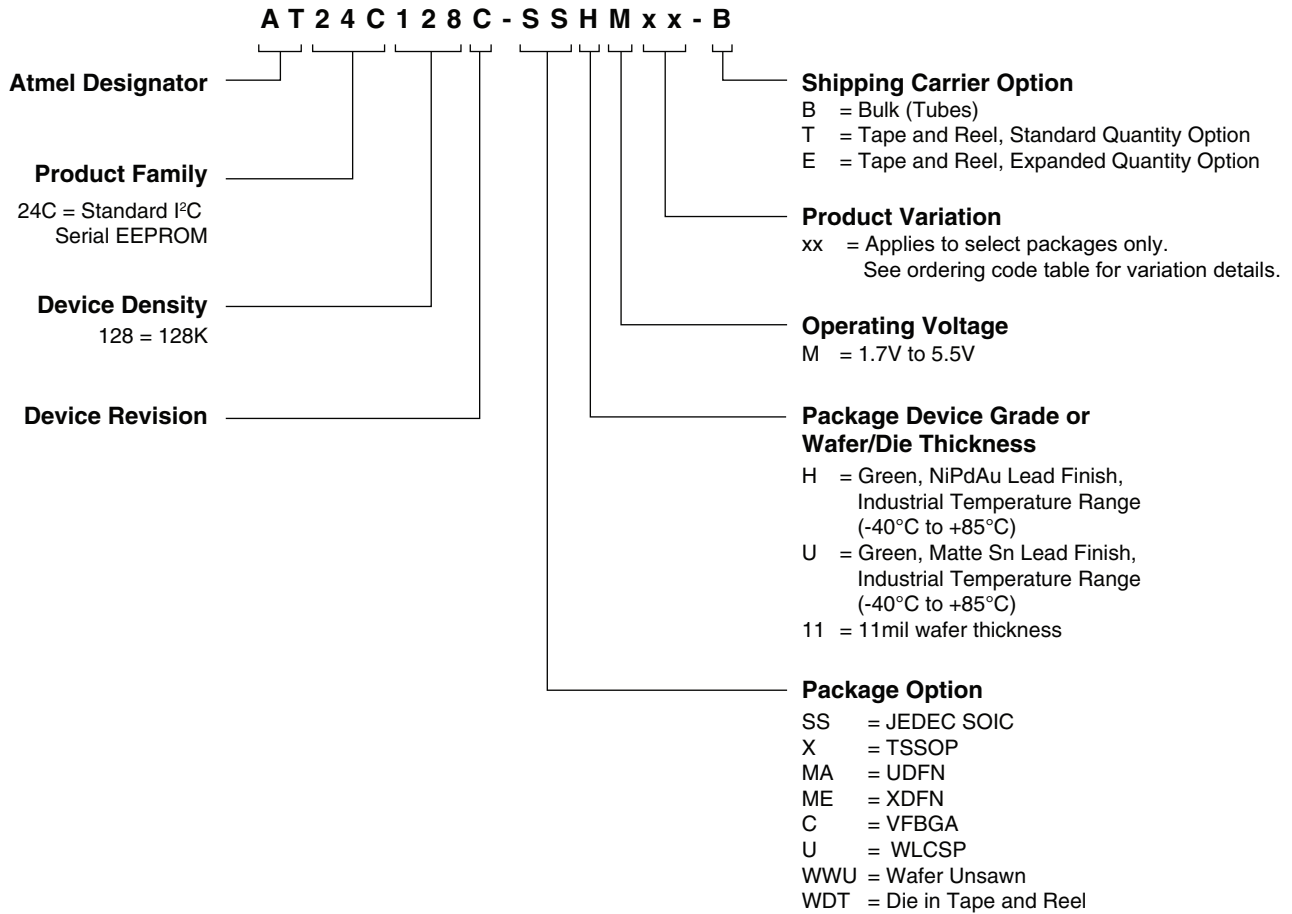
Figure 9-3. Sequential Read



Note: * = Don't care bit

10. Ordering Information

10.1 Ordering Code Detail



10.2 Ordering Code Information

| Atmel Ordering Code | Lead Finish | Package | Delivery Information | | Operating Range | |
|----------------------------------|------------------------------------|---|----------------------|-----------------|---|----------------|
| | | | Form | Quantity | | |
| AT24C128C-SSHM-B | NiPdAu (Lead-free/Halogen-free) | 8S1 | Bulk (Tubes) | 100 per Tube | Industrial Temperature (-40°C to 85°C) | |
| AT24C128C-SSHM-T | | | Tape and Reel | 4,000 per Reel | | |
| AT24C128C-XHM-B | | 8X | Bulk (Tubes) | 100 per Tube | | |
| AT24C128C-XHM-T | | | Tape and Reel | 5,000 per Reel | | |
| AT24C128C-MAHM-T | | 8MA2 | Tape and Reel | 5,000 per Reel | | |
| AT24C128C-MAHM-E | | | | 15,000 per Reel | | |
| AT24C128C-MAHMML-T | | | 5,000 per Reel | | | |
| AT24C128C-MEHM-T | | | 8ME1 | Tape and Reel | | 5,000 per Reel |
| AT24C128C-CUM-T | | SnAgCu Ball (Lead-free/Halogen-free) | 8U2-1 | Tape and Reel | | 5,000 per Reel |
| AT24C128C-UUM0B-T ⁽¹⁾ | | | 4U-9 | Tape and Reel | | 5,000 per Reel |
| AT24C128C-UUMML-T ⁽¹⁾ | | | | | | |
| AT24C128C-WWU11M ⁽²⁾ | N/A | Wafer Sale | Note 2 | | | |

Notes: 1. WLCSP Package:

- This device includes a backside coating to increase product robustness.
- **CAUTION:** Exposure to ultraviolet (UV) light can degrade the data stored in the EEPROM cells. Therefore, customers who use a WLCSP product must ensure that exposure to ultraviolet light does *not* occur.

2. Contact Atmel Sales for Wafer sales.

| Package Type | |
|--------------|--|
| 8S1 | 8-lead, 0.150" wide, Plastic Gull Wing Small Outline (JEDEC SOIC) |
| 8X | 8-lead, 4.40mm body, Plastic Thin Shrink Small Outline Package (TSSOP) |
| 8MA2 | 8-pad, 2.00mm x 3.00mm body, 0.50mm pitch, Dual No Lead (UDFN) |
| 8ME1 | 8-pad, 1.80mm x 2.20mm body, Extra Thin DFN (XDFN) |
| 8U2-1 | 8-ball, Die Ball Grid Array (VFBGA) |
| 4U-9 | 4-ball, 2 x 2 Grid Array, 0.40mm minimum pitch, Wafer Level Chip Scale Package (WLCSP) |

11. Part Markings

AT24C128C: Package Marking Information

| | | |
|--|---|---|
| <p>8-lead SOIC</p> | <p>8-lead TSSOP</p> | <p>8-lead UDFN</p> <p>2.0 x 3.0 mm Body</p> |
| <p>8-ball VFBGA</p> <p>2.35 x 3.73 mm Body</p> | <p>8-lead XDFN</p> <p>1.8 x 2.2 mm Body</p> | <p>4-ball WLCSP</p> |

Note 1: ● designates pin 1
 Note 2: Package drawings are not to scale

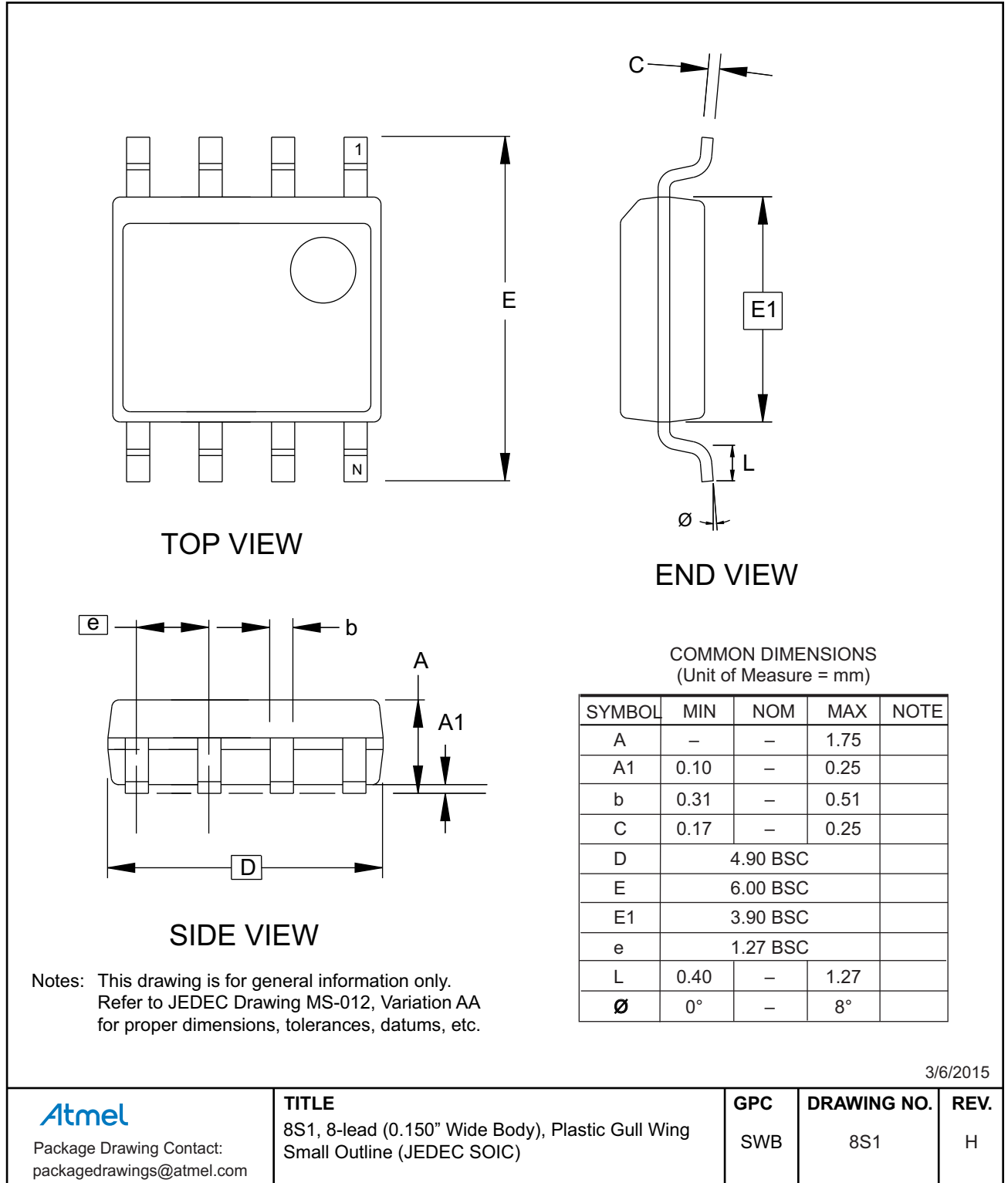
| Catalog Number Truncation | | | |
|--|-------------|----------------------------------|---|
| AT24C128C | | Truncation Code ###: 2DC | |
| Date Codes | | | Voltages |
| Y = Year | M = Month | WW = Work Week of Assembly | % = Minimum Voltage |
| 5: 2015 9: 2019 | A: January | 02: Week 2 | M: 1.7V min |
| 6: 2016 0: 2020 | B: February | 04: Week 4 | |
| 7: 2017 1: 2021 | ... | ... | |
| 8: 2018 2: 2022 | L: December | 52: Week 52 | |
| Country of Assembly | | Lot Number | Grade/Lead Finish Material |
| @ = Country of Assembly | | AAA...A = Atmel Wafer Lot Number | U: Industrial/Matte Tin H: Industrial/NiPdAu |
| Trace Code | | | Atmel Truncation |
| XX = Trace Code (Atmel Lot Numbers Correspond to Code) Example: AA, AB.... YZ, ZZ | | | AT: Atmel ATM: Atmel ATML: Atmel |

1/5/15

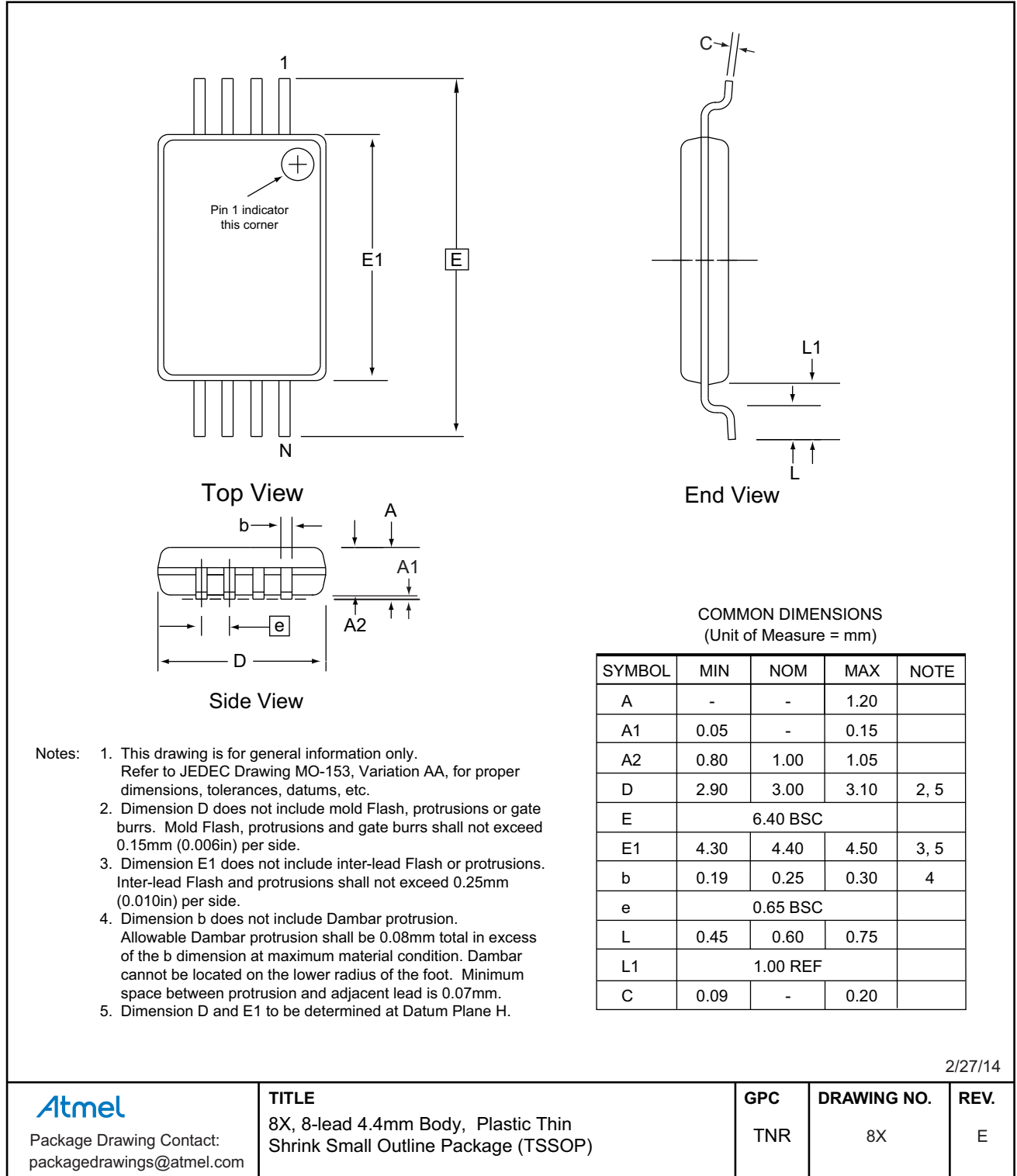
| | | | |
|--|--|--|-----------------------------|
| <p>Package Mark Contact: DL-CSO-Assy_eng@atmel.com</p> | <p>TITLE</p> <p>24C128CSM, AT24C128C Standard Package Marking Information</p> | <p>DRAWING NO.</p> <p>24C128CSM</p> | <p>REV.</p> <p>D</p> |
|--|--|--|-----------------------------|

12. Packaging Information

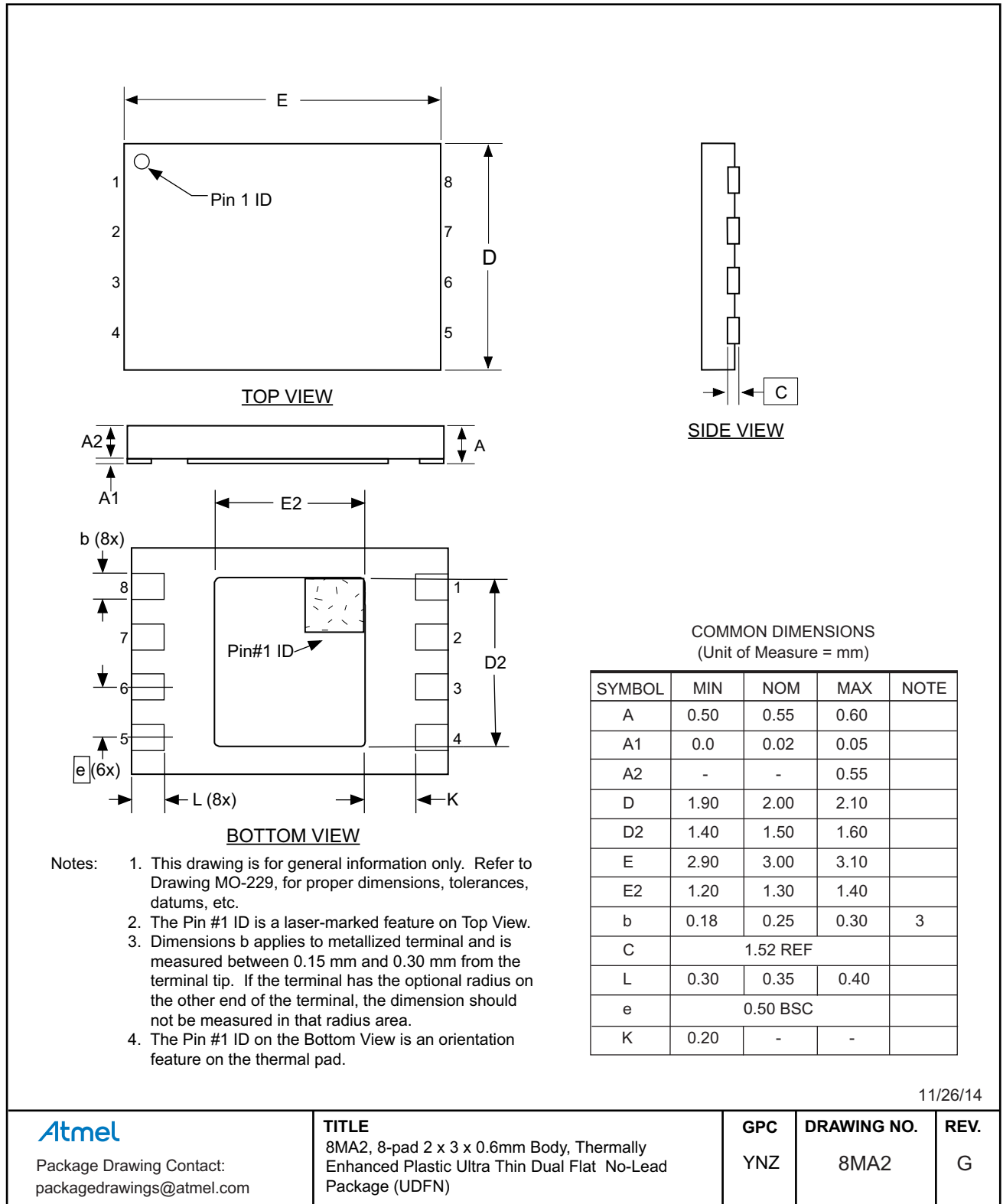
12.1 8S1 — 8-lead JEDEC SOIC



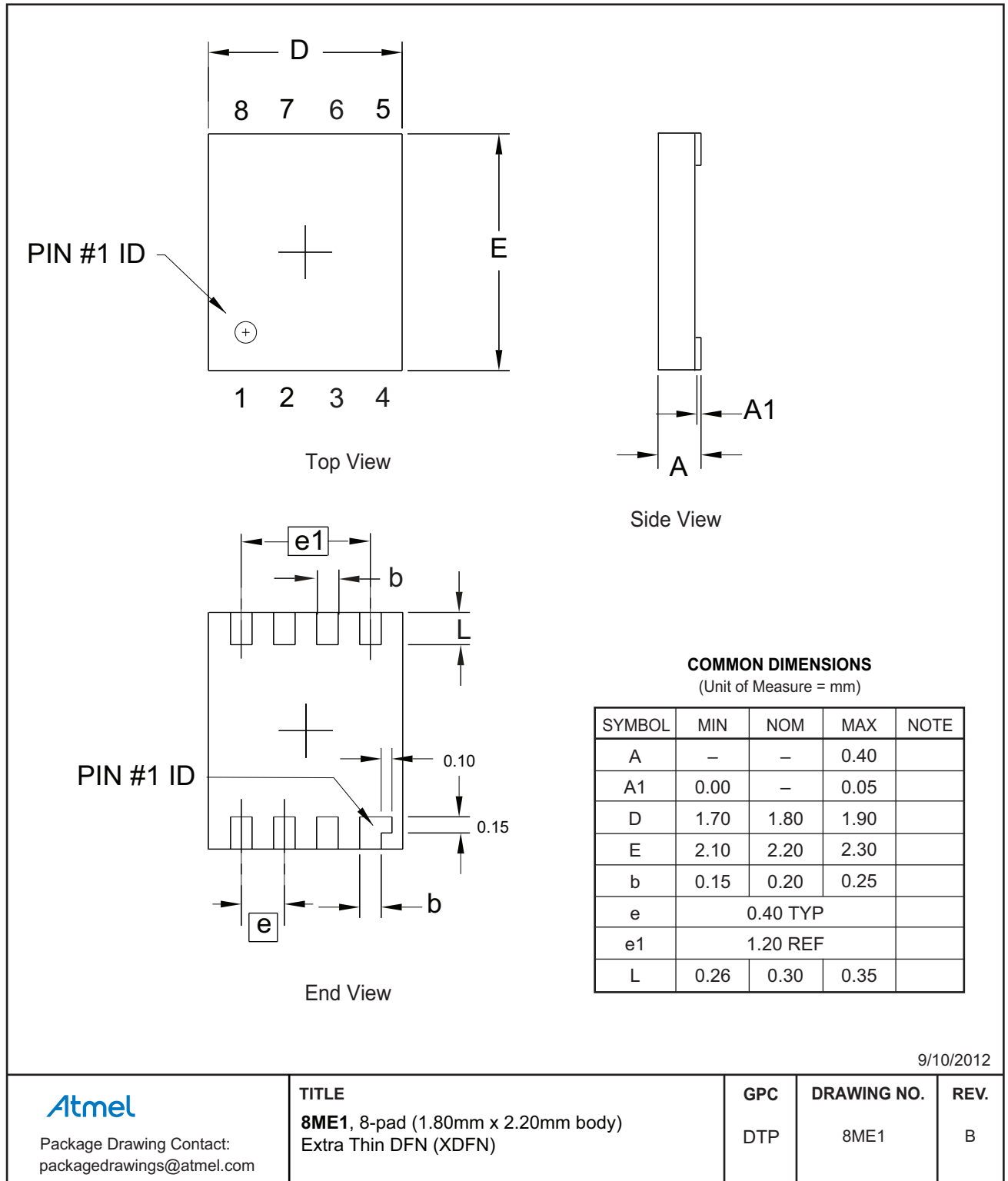
12.2 8X — 8-lead TSSOP



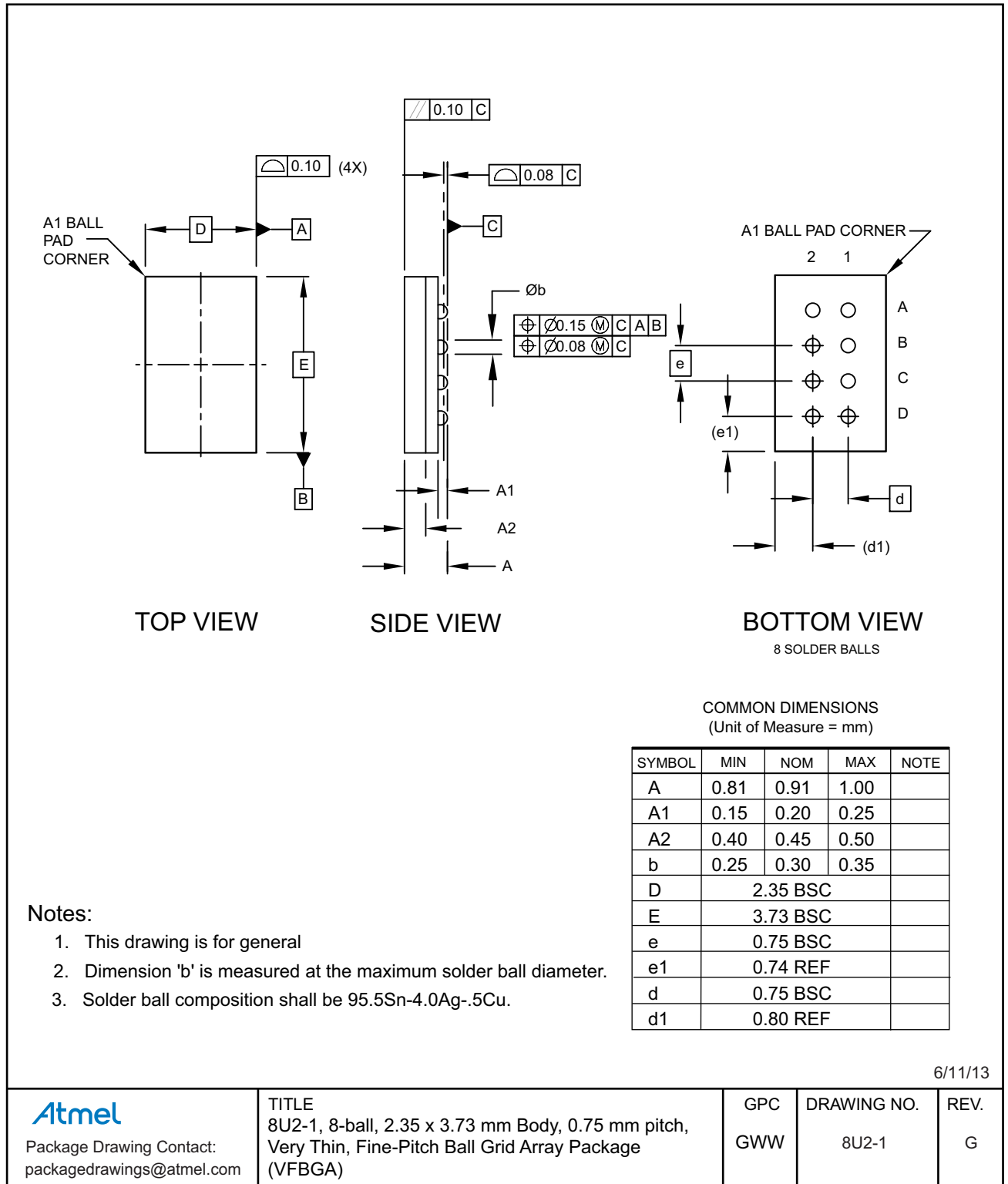
12.3 8MA2 — 8-pad UDFN



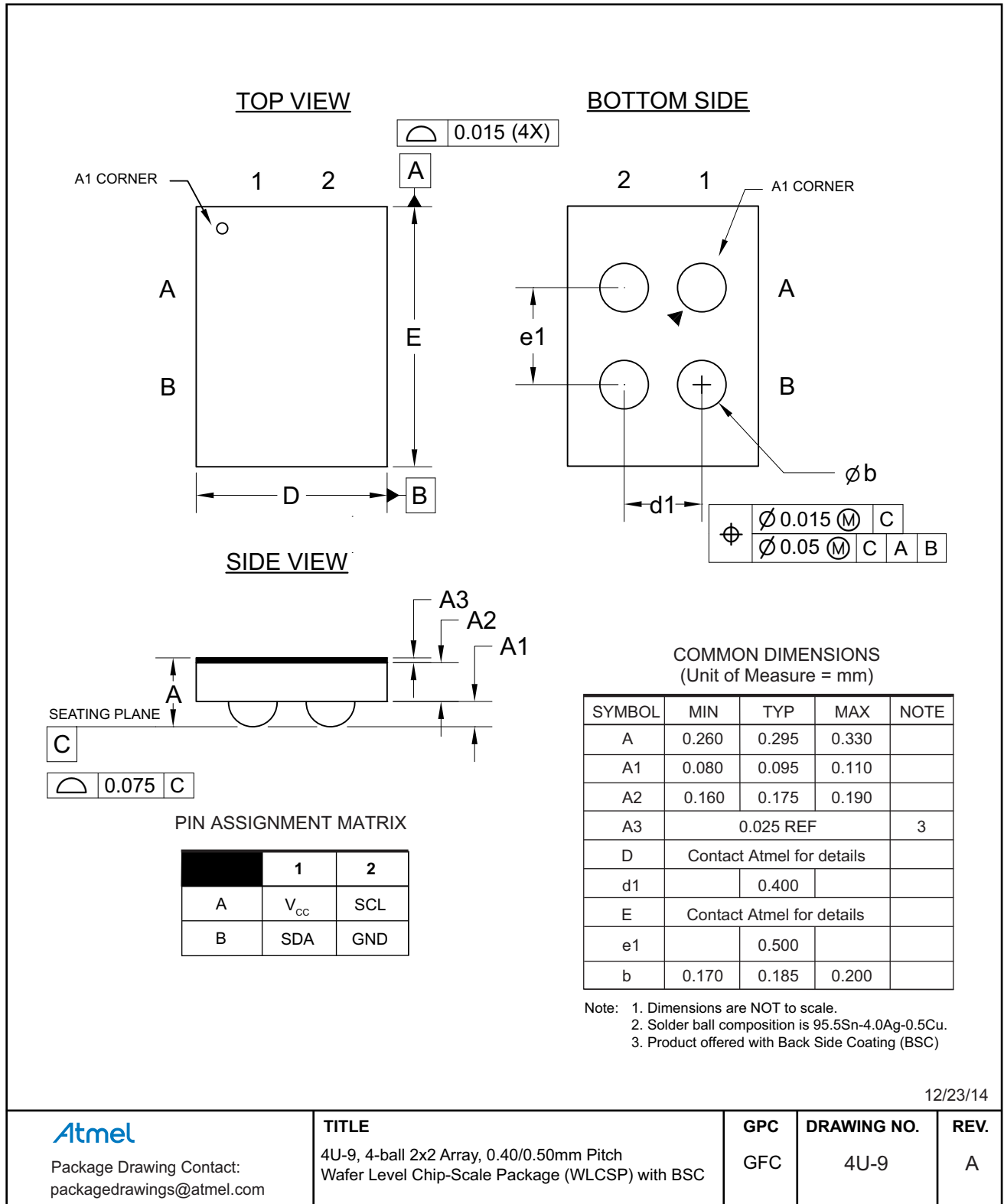
12.4 8ME1 — 8-pad XDFN



12.5 8U2-1 — 8-ball VFBGA



12.6 4U-9 — 4-ball WLCSP



13. Revision History

| Doc. Rev. | Date | Comments |
|-----------|---------|--|
| 8735D | 08/2015 | Added the AT24C128C-MAHMML-T and AT24C128C-UUMML-T package options. Updated the 8S1 package outline drawing. Corrected reference of the 8U-9 to reflect the 4U-9 package option. |
| 8734C | 01/2015 | Added the UDFN Expanded Quantity Option and the WLCSP package option. Updated the 8MA2 package outline drawing and the ordering information section. |
| 8734B | 09/2012 | Updated UDFN package drawing and template and Atmel logo. |
| 8734A | 04/2011 | Initial document release. |

