



Chipsmall Limited consists of a professional team with an average of over 10 year of expertise in the distribution of electronic components. Based in Hongkong, we have already established firm and mutual-benefit business relationships with customers from,Europe,America and south Asia,supplying obsolete and hard-to-find components to meet their specific needs.

With the principle of “Quality Parts,Customers Priority,Honest Operation,and Considerate Service”,our business mainly focus on the distribution of electronic components. Line cards we deal with include Microchip,ALPS,ROHM,Xilinx,Pulse,ON,Everlight and Freescale. Main products comprise IC,Modules,Potentiometer,IC Socket,Relay,Connector.Our parts cover such applications as commercial,industrial, and automotives areas.

We are looking forward to setting up business relationship with you and hope to provide you with the best service and solution. Let us make a better world for our industry!



Contact us

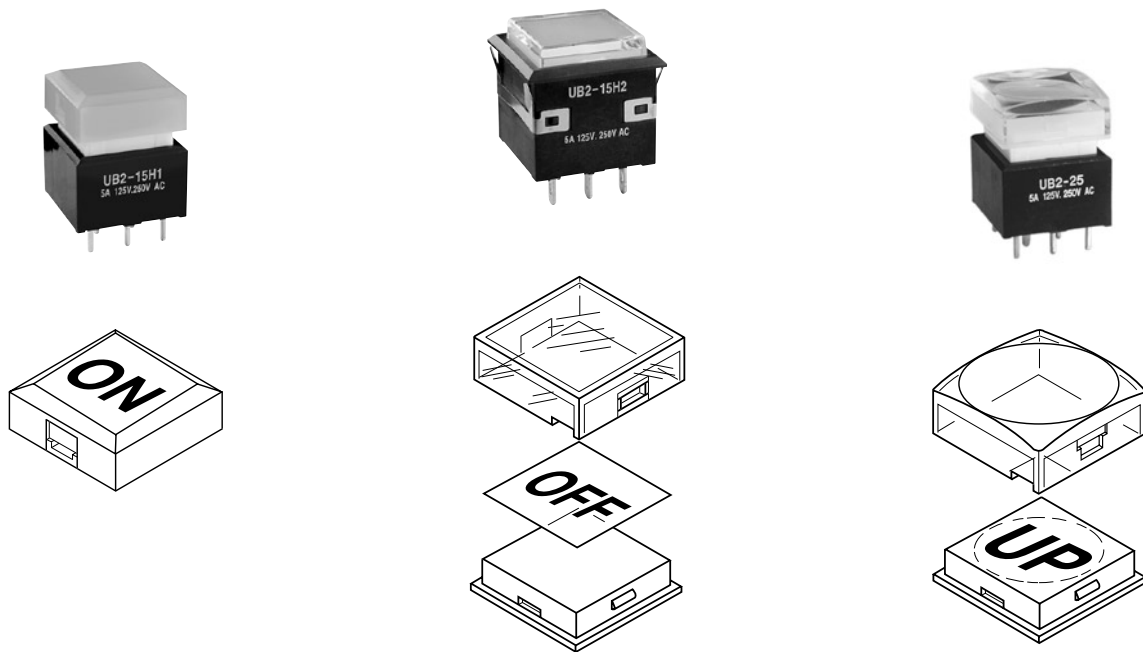
Tel: +86-755-8981 8866 Fax: +86-755-8427 6832

Email & Skype: info@chipsmall.com Web: www.chipsmall.com

Address: A1208, Overseas Decoration Building, #122 Zhenhua RD., Futian, Shenzhen, China



UB2 Series Legend Packet



Contents

Customer Request Form	UB2-2
Cap Types and Combinations	UB2-3
Legend Orientation	UB2-3
Font Styles.....	UB2-4
Helvetica Light Font Table	UB2-5
Helvetica Regular Font Table.....	UB2-6
Helvetica Bold Font Table.....	UB2-7
Helvetica Black Font Table	UB2-8
Maximum Printable Areas	UB2-9

The primary purpose of this Legend Packet is to let our customers know that NKK Switches provides full support regarding your legending requirements. The packet is designed to provide information to make your legending choices easy and concise, and to let you know that our availability can range from answering a few questions to guiding you through the entire process. Feel free to acquaint yourself with the following pages specific to your applications, then contact us and let us know how we may be of further assistance. We look forward to serving all your legending needs.

UB2 Series Legend Instructions

1 Customer Information		Today's Date
Company Name		Phone ()
Address		Fax ()
City	State	Zip Code
Contact Person		Email

Important! Please complete one Request Form for each legend requested.

2 Switch	Switch Part Number	Quantity Requested
Cap Part Number		

Refer to Legend Packet page UB2-3 if you need assistance.

3 Surface	<input type="checkbox"/> Lens <input type="checkbox"/> Film Insert <input type="checkbox"/> Diffuser or Insert <input type="checkbox"/> Other (contact factory) _____
------------------	-----------------------------------------------------------------------------------------------------------------------------------------------------------------------

See Legend Packet page UB2-3 if you need more information on printable surfaces.

4 Font Style and Size	<input type="checkbox"/> Helvetica Light <input type="checkbox"/> Helvetica Regular <input type="checkbox"/> Helvetica Bold <input type="checkbox"/> Helvetica Black <input type="checkbox"/> Other Font Style (contact factory)
------------------------------	----------------------------------------------------------------------------------------------------------------------------------------------------------------------------------------------------------------------------------

Font Size: _____ point

Refer to Legend Packet pages UB2-4 through UB2-8 to determine your font style and point size.

5 Characters	1 line	2 lines	3 lines Not Recommended
<div style="border: 1px solid black; padding: 5px; display: inline-block;">START</div>	<hr style="width: 100%;"/> Your Legend Text Here	<div style="border: 1px solid black; padding: 5px; display: inline-block; text-align: center;">ON OFF</div>	<hr style="width: 100%;"/> Your Legend Text Here
Sample		Sample	<div style="border: 1px solid black; padding: 5px; display: inline-block; text-align: center;">AC FAN ONLY</div>
			<hr style="width: 100%;"/> Your Legend Text Here

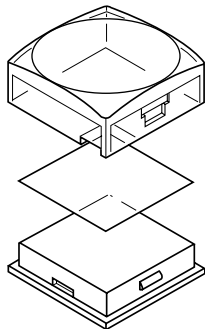
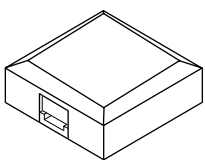
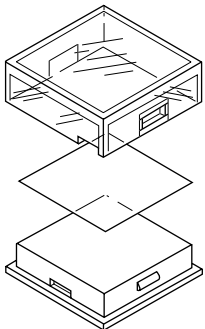
Minimum distance between characters is critical to legibility and cannot be less than .015".

Refer to Legend Packet page UB2-9 to determine your maximum printable area. Legend Packet pages UB2-4 through UB2-8 provide character widths and heights. Note: All legends will be centered unless otherwise indicated.

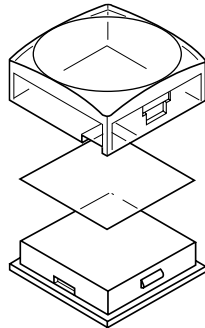
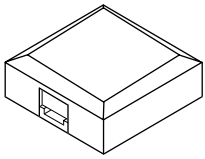
6	<i>Please make your selections below by checking one box in each row.</i>			
Legend Color	<input type="checkbox"/> Black	<input type="checkbox"/> White	<input type="checkbox"/> Other (contact factory)	
Printing Method	<input type="checkbox"/> Screen Print	<input type="checkbox"/> Pad Print	<input type="checkbox"/> Laser Etch	<input type="checkbox"/> Other (contact factory)
*Legend Orientation	<input type="checkbox"/> P/N Left	<input type="checkbox"/> P/N Top	<input type="checkbox"/> P/N Right	<input type="checkbox"/> P/N Bottom

**See Legend Packet page UB2-3 for legend orientation specifications.*

Caps for Illuminated

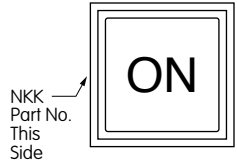
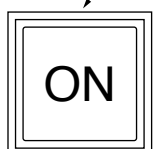
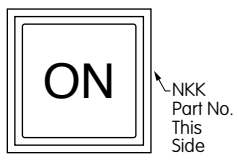

 <p>AT3074 Sculptured</p> <p>Clear Lens</p> <p>Film Insert</p> <p>Translucent Colored Diffuser</p> <p>Legend on Lens, Film Insert or Diffuser</p>	 <p>AT3075 Beveled</p> <p>Translucent Colored Cap</p> <p>Legend on Cap</p>	 <p>AT3076 Flat</p> <p>Clear Lens</p> <p>Film Insert</p> <p>Translucent Colored Diffuser</p> <p>Legend on Lens, Film Insert or Diffuser</p>
-----------------------------------------------------------------------------------------------------------------------------------------------------------------------------------------------------------------------------------------------	------------------------------------------------------------------------------------------------------------------------------------------------------------------------	-------------------------------------------------------------------------------------------------------------------------------------------------------------------------------------------------------------------------------------------

Caps for Nonilluminated

 <p>AT3073 Sculptured</p> <p>Clear Lens</p> <p>Film Insert</p> <p>Opaque Colored Insert</p> <p>Legend on Lens, Film Insert or Diffuser</p>	 <p>AT3077 Beveled</p> <p>Opaque Colored Cap</p> <p>Legend on Cap</p>
-----------------------------------------------------------------------------------------------------------------------------------------------------------------------------------------------------------------------------------------	---------------------------------------------------------------------------------------------------------------------------------------------------------------------

Legend Orientation

Orientation of Legends on Illuminated and Nonilluminated Switches

<p>1</p> <p>NKK Part No. Left Side</p>  <p>NKK Part No. This Side</p>	<p>2</p> <p>NKK Part No. Top</p>  <p>NKK Part No. This Side</p>
<p>3</p> <p>NKK Part No. Right Side</p>  <p>NKK Part No. This Side</p>	<p>4</p> <p>NKK Part No. Bottom</p>  <p>NKK Part No. This Side</p>

UB2 Series Legend Instructions

The following tables display Helvetica font styles in graduated point sizes. These tables can give you an idea at a glance which size might be most compatible for your legend. For more detailed information on each font style and individual character widths, see pages UB2-5 through UB2-8.

HELVETICA LIGHT

Actual Font and Size	EWI	EWI	EWI	EWI	EWI	EWI	EWI	EWI	EWI	EWI	EWI	EWI
Font Size in Points	6	7	8	9	10	11	12	14	16	18	20	22
Character Height	.063"	.075"	.084"	.092"	.100"	.111"	.120"	.141"	.161"	.189"	.211"	.231"

See page UB2-5 for the Helvetica Light Font Style table.

HELVETICA REGULAR

Actual Font and Size	EWI	EWI	EWI	EWI	EWI	EWI	EWI	EWI	EWI	EWI	EWI	EWI
Font Size in Points	6	7	8	9	10	11	12	14	16	18	20	22
Character Height	.064"	.077"	.086"	.096"	.107"	.118"	.129"	.149"	.171"	.189"	.214"	.250"

See page UB2-6 for the Helvetica Regular Font Style table.

HELVETICA BOLD

Actual Font and Size			EWI	EWI	EWI	EWI	EWI	EWI	EWI	EWI	EWI	EWI
Font Size in Points	6	7	8	9	10	11	12	14	16	18	20	22
Character Height	n/a	n/a	.086"	.096"	.107"	.117"	.128"	.149"	.170"	.191"	.203"	.234"

See page UB2-7 for the Helvetica Bold Font Style table.

HELVETICA BLACK

Actual Font and Size			EWI	EWI	EWI	EWI	EWI	EWI	EWI	EWI	EWI	EWI
Font Size in Points	6	7	8	9	10	11	12	14	16	18	20	22
Character Height	n/a	n/a	.084"	.095"	.106"	.116"	.126"	.149"	.169"	.189"	.211"	.229"

See page UB2-8 for the Helvetica Black Font Style table.

Note: Minimum distance between characters on any font style is critical to legibility and cannot be less than .015". Remember to include this dimension *between* each character width when calculating overall legend length.

UB2 Series Legend Instructions

Actual Font and Size	EWI	EWI	EWI	EWI	EWI	EWI	EWI	EWI	EWI	EWI	EWI	EWI
Font Size in Points	6	7	8	9	10	11	12	14	16	18	20	22
Character Height	.063"	.075"	.084"	.092"	.100"	.111"	.120"	.141"	.161"	.189"	.211"	.231"
Character	Character Widths in Inches											
A	.054	.062	.071	.081	.089	.098	.107	.124	.142	.160	.178	.195
B	.044	.053	.053	.068	.075	.083	.089	.104	.117	.134	.148	.163
C	.051	.062	.070	.079	.088	.088	.104	.122	.139	.156	.174	.191
D	.050	.058	.069	.074	.083	.091	.098	.116	.131	.148	.163	.181
E	.042	.049	.055	.063	.069	.076	.076	.096	.109	.123	.137	.150
F	.038	.045	.053	.059	.064	.072	.072	.091	.102	.117	.130	.142
G	.055	.063	.072	.072	.092	.099	.109	.126	.143	.162	.180	.197
H	.048	.056	.063	.072	.079	.087	.095	.110	.125	.142	.158	.174
I	.006	.008	.009	.010	.010	.011	.012	.014	.015	.018	.020	.022
J	.033	.040	.044	.050	.056	.061	.061	.077	.088	.100	.110	.122
K	.048	.056	.063	.071	.079	.088	.088	.110	.127	.145	.159	.173
L	.037	.045	.050	.057	.064	.070	.076	.089	.102	.115	.127	.140
M	.058	.065	.077	.086	.096	.104	.114	.132	.151	.171	.189	.206
N	.049	.056	.063	.073	.079	.087	.095	.110	.126	.142	.158	.174
O	.057	.065	.076	.084	.095	.103	.113	.131	.149	.169	.188	.205
P	.043	.050	.056	.064	.070	.076	.084	.097	.112	.126	.139	.152
Q	.057	.066	.076	.085	.094	.105	.113	.131	.149	.168	.186	.206
R	.047	.052	.061	.069	.075	.083	.090	.104	.118	.134	.151	.163
S	.045	.052	.059	.069	.074	.083	.087	.102	.117	.134	.147	.161
T	.045	.051	.059	.069	.073	.082	.088	.102	.116	.133	.146	.161
U	.048	.056	.063	.069	.078	.086	.094	.109	.125	.142	.155	.170
V	.049	.055	.064	.073	.079	.089	.096	.113	.129	.146	.162	.177
W	.073	.084	.096	.109	.121	.133	.145	.168	.192	.216	.241	.264
X	.048	.056	.064	.073	.082	.089	.097	.113	.129	.147	.162	.177
Y	.050	.058	.066	.074	.083	.090	.097	.115	.131	.147	.163	.181
Z	.047	.053	.062	.070	.077	.077	.092	.108	.122	.138	.153	.168
1	.022	.023	.028	.031	.036	.038	.042	.049	.055	.062	.069	.078
2	.041	.047	.053	.059	.065	.072	.078	.093	.105	.117	.131	.145
3	.041	.048	.054	.060	.067	.067	.080	.094	.107	.120	.133	.147
4	.041	.048	.054	.060	.068	.068	.082	.095	.108	.122	.134	.149
5	.040	.046	.053	.059	.067	.073	.079	.092	.105	.118	.131	.145
6	.040	.046	.054	.060	.066	.073	.081	.093	.104	.119	.132	.146
7	.038	.044	.051	.057	.063	.069	.075	.089	.101	.113	.125	.138
8	.040	.046	.052	.060	.060	.072	.078	.092	.106	.117	.131	.144
9	.040	.047	.054	.060	.066	.073	.080	.093	.106	.119	.133	.146
0	.040	.048	.054	.060	.067	.074	.080	.093	.107	.120	.133	.147
.	.005	.007	.008	.010	.010	.013	.013	.014	.017	.019	.019	.023
,	.007	.008	.009	.010	.010	.012	.014	.016	.017	.019	.021	.023
+	.042	.050	.056	.064	.069	.077	.085	.097	.110	.125	.139	.153
-	.021	.025	.029	.032	.036	.039	.043	.051	.056	.064	.071	.078
/	.023	.029	.033	.037	.042	.046	.050	.057	.065	.074	.081	.089

Note: Minimum distance between characters is critical to legibility and cannot be less than .015".

UB2 Series Legend Instructions

Actual Font and Size	EWI	EWI	EWI	EWI	EWI	EWI	EWI	EWI	EWI	EWI	EWI	EWI
Font Size in Points	6	7	8	9	10	11	12	14	16	18	20	22
Character Height	.064"	.077"	.086"	.096"	.107"	.118"	.129"	.149"	.171"	.189"	.214"	.250"
Character	Character Widths in Inches											
A	.054	.063	.072	.081	.089	.097	.108	.126	.142	.159	.178	.196
B	.045	.054	.061	.069	.076	.084	.091	.105	.122	.139	.151	.167
C	.053	.062	.069	.079	.088	.096	.105	.122	.139	.159	.176	.194
D	.048	.056	.065	.073	.082	.090	.097	.112	.129	.145	.161	.178
E	.044	.052	.059	.066	.074	.081	.086	.103	.116	.132	.145	.160
F	.042	.056	.056	.063	.069	.076	.082	.095	.102	.123	.136	.149
G	.056	.064	.075	.085	.094	.103	.111	.130	.147	.167	.185	.204
H	.048	.056	.063	.071	.079	.087	.094	.109	.125	.140	.157	.173
I	.009	.010	.011	.010	.014	.013	.016	.019	.020	.024	.028	.029
J	.035	.041	.047	.051	.057	.064	.070	.081	.090	.102	.115	.127
K	.049	.057	.064	.073	.081	.088	.097	.111	.127	.144	.162	.178
L	.039	.043	.051	.057	.063	.069	.076	.088	.102	.113	.127	.139
M	.059	.067	.077	.086	.096	.107	.116	.134	.155	.173	.191	.211
N	.049	.058	.064	.072	.079	.087	.096	.111	.129	.141	.160	.175
O	.059	.069	.079	.089	.097	.109	.117	.138	.156	.177	.198	.215
P	.044	.052	.058	.066	.074	.082	.089	.103	.115	.133	.148	.161
Q	.058	.069	.079	.089	.099	.108	.117	.139	.157	.177	.198	.216
R	.050	.058	.067	.075	.082	.090	.098	.113	.130	.147	.164	.181
S	.048	.056	.064	.072	.080	.088	.096	.111	.126	.142	.161	.161
T	.049	.056	.063	.071	.080	.089	.097	.111	.127	.142	.161	.176
U	.048	.056	.063	.071	.078	.087	.094	.110	.126	.139	.158	.173
V	.052	.060	.071	.077	.086	.097	.103	.120	.138	.154	.173	.189
W	.076	.089	.101	.114	.128	.138	.153	.178	.204	.227	.251	.280
X	.053	.062	.071	.080	.088	.098	.106	.122	.140	.156	.174	.193
Y	.054	.064	.073	.083	.090	.100	.109	.126	.146	.162	.181	.200
Z	.047	.054	.063	.070	.078	.086	.094	.108	.124	.139	.155	.172
1	.021	.023	.029	.031	.035	.038	.041	.046	.056	.063	.068	.076
2	.041	.047	.055	.061	.066	.074	.078	.093	.107	.119	.134	.146
3	.041	.046	.054	.060	.067	.072	.080	.094	.107	.119	.133	.146
4	.042	.048	.056	.062	.069	.076	.082	.096	.111	.122	.138	.151
5	.041	.048	.054	.061	.067	.074	.080	.093	.107	.120	.134	.148
6	.040	.046	.054	.060	.066	.072	.080	.092	.107	.119	.131	.145
7	.041	.047	.053	.060	.069	.072	.080	.093	.105	.118	.133	.145
8	.040	.046	.053	.060	.066	.073	.079	.092	.107	.119	.133	.147
9	.040	.046	.053	.059	.065	.072	.080	.092	.105	.119	.132	.145
0	.040	.045	.052	.059	.065	.071	.077	.090	.102	.116	.129	.141
.	.009	.011	.012	.014	.015	.016	.017	.020	.023	.027	.029	.031
,	.008	.011	.012	.014	.017	.017	.018	.020	.024	.026	.030	.023
+	.041	.048	.054	.061	.068	.074	.081	.095	.110	.122	.134	.149
-	.020	.023	.026	.030	.034	.037	.041	.048	.054	.061	.066	.074
/	.025	.029	.033	.039	.041	.045	.050	.056	.065	.074	.081	.089

Note: Minimum distance between characters is critical to legibility and cannot be less than .015".

UB2 Series Legend Instructions

Actual Font and Size			EWI	EWI	EWI	EWI	EWI	EWI	EWI	EWI	EWI	EWI
Font Size in Points	6	7	8	9	10	11	12	14	16	18	20	22
Character Height	n/a	n/a	.086"	.096"	.107"	.117"	.128"	.149"	.170"	.191"	.203"	.234"
Character	Character Widths in Inches											
A			.076	.085	.095	.105	.113	.132	.150	.170	.189	.208
B	n/a	n/a	.065	.073	.082	.089	.097	.114	.129	.146	.163	.179
C			.073	.081	.089	.098	.107	.125	.144	.162	.179	.196
D			.068	.076	.085	.093	.102	.119	.135	.151	.168	.186
E	n/a	n/a	.062	.069	.076	.084	.092	.107	.122	.137	.152	.168
F			.057	.065	.072	.079	.086	.101	.115	.129	.143	.157
G			.075	.084	.094	.103	.112	.130	.149	.168	.186	.205
H	n/a	n/a	.065	.075	.083	.090	.099	.116	.131	.148	.164	.181
I			.017	.019	.022	.023	.026	.030	.034	.038	.043	.047
J			.052	.059	.065	.071	.077	.091	.103	.116	.129	.142
K	n/a	n/a	.073	.082	.090	.099	.109	.126	.143	.162	.180	.198
L			.056	.063	.070	.076	.084	.098	.111	.126	.140	.154
M			.080	.089	.100	.109	.120	.140	.159	.179	.199	.219
N	n/a	n/a	.067	.075	.083	.091	.100	.116	.132	.148	.166	.182
O			.079	.088	.097	.107	.118	.137	.156	.176	.195	.215
P			.063	.070	.078	.086	.095	.109	.124	.140	.155	.171
Q	n/a	n/a	.077	.088	.098	.108	.118	.137	.157	.175	.195	.216
R			.067	.076	.083	.092	.100	.116	.133	.149	.167	.184
S			.068	.076	.084	.092	.102	.118	.135	.151	.168	.185
T	n/a	n/a	.065	.074	.082	.089	.098	.115	.131	.147	.163	.180
U			.065	.073	.082	.089	.098	.114	.129	.145	.162	.177
V			.069	.078	.087	.096	.104	.122	.140	.157	.175	.191
W	n/a	n/a	.102	.116	.129	.142	.155	.180	.206	.230	.256	.281
X			.070	.081	.089	.098	.106	.122	.140	.159	.176	.193
Y			.069	.078	.087	.096	.105	.122	.139	.156	.175	.191
Z	n/a	n/a	.062	.069	.077	.084	.092	.108	.122	.138	.153	.168
1			.035	.039	.043	.049	.053	.060	.069	.078	.086	.096
2			.054	.061	.067	.074	.082	.094	.107	.122	.135	.148
3	n/a	n/a	.055	.062	.069	.076	.082	.095	.109	.122	.136	.149
4			.056	.063	.069	.077	.083	.098	.112	.125	.140	.153
5			.056	.062	.069	.076	.083	.096	.109	.122	.136	.151
6	n/a	n/a	.055	.063	.069	.076	.082	.096	.109	.122	.138	.149
7			.056	.063	.070	.077	.084	.098	.112	.119	.140	.154
8			.056	.063	.069	.078	.085	.099	.112	.127	.140	.154
9	n/a	n/a	.055	.061	.069	.076	.083	.096	.109	.122	.135	.149
0			.055	.062	.069	.076	.081	.096	.109	.122	.137	.150
.			.017	.019	.021	.023	.026	.030	.033	.038	.043	.047
,	n/a	n/a	.017	.020	.022	.023	.026	.030	.034	.038	.043	.047
+			.054	.061	.068	.075	.081	.096	.108	.122	.135	.148
-			.031	.034	.038	.042	.046	.054	.061	.069	.078	.084
/	n/a	n/a	.030	.035	.038	.043	.046	.054	.062	.069	.076	.084

Note: Minimum distance between characters is critical to legibility and cannot be less than .015".

UB2 Series Legend Instructions

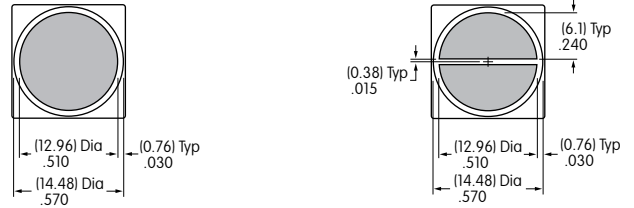
Actual Font and Size			EWI	EWI	EWI	EWI	EWI	EWI	EWI	EWI	EWI	EWI
Font Size in Points	6	7	8	9	10	11	12	14	16	18	20	22
Character Height	n/a	n/a	.084"	.095"	.106"	.116"	.126"	.149"	.169"	.189"	.211"	.229"
Character	Character Widths in Inches											
A			.085	.096	.106	.116	.127	.148	.170	.186	.211	.233
B	n/a	n/a	.075	.084	.093	.102	.111	.129	.147	.167	.184	.203
C			.082	.091	.102	.112	.122	.142	.162	.182	.203	.222
D			.078	.088	.097	.107	.115	.136	.155	.174	.193	.214
E	n/a	n/a	.068	.076	.084	.093	.101	.117	.134	.151	.168	.184
F			.063	.071	.079	.087	.094	.110	.125	.141	.157	.173
G			.082	.092	.102	.112	.122	.141	.162	.183	.203	.223
H	n/a	n/a	.078	.088	.097	.108	.117	.136	.155	.175	.194	.212
I			.027	.030	.034	.037	.040	.047	.053	.060	.067	.072
J			.065	.072	.081	.088	.096	.112	.127	.142	.159	.175
K	n/a	n/a	.084	.095	.104	.116	.125	.147	.167	.188	.210	.230
L			.063	.071	.079	.087	.094	.110	.125	.141	.157	.171
M			.092	.103	.115	.126	.139	.161	.184	.208	.230	.251
N	n/a	n/a	.078	.087	.097	.108	.116	.136	.155	.175	.194	.214
O			.085	.095	.106	.116	.126	.148	.168	.190	.211	.231
P			.074	.083	.092	.101	.109	.128	.146	.165	.183	.200
Q	n/a	n/a	.085	.095	.106	.116	.126	.147	.168	.189	.211	.230
R			.076	.087	.096	.105	.115	.135	.153	.172	.192	.212
S			.074	.083	.092	.101	.109	.129	.147	.165	.182	.201
T	n/a	n/a	.074	.084	.093	.102	.110	.129	.147	.166	.185	.203
U			.078	.088	.097	.108	.116	.135	.155	.175	.194	.211
V			.083	.093	.102	.112	.123	.142	.164	.184	.205	.226
W	n/a	n/a	.111	.124	.138	.152	.167	.194	.221	.250	.275	.303
X			.086	.097	.106	.117	.128	.149	.171	.190	.213	.234
Y			.086	.098	.109	.119	.129	.150	.172	.194	.215	.237
Z	n/a	n/a	.073	.082	.090	.100	.109	.127	.145	.163	.181	.199
1			.042	.047	.052	.058	.063	.073	.083	.094	.104	.113
2			.068	.076	.083	.091	.100	.117	.132	.149	.167	.183
3	n/a	n/a	.069	.076	.083	.092	.101	.117	.133	.150	.167	.184
4			.069	.076	.086	.094	.102	.120	.136	.154	.170	.188
5			.069	.076	.085	.094	.102	.120	.136	.153	.170	.186
6	n/a	n/a	.069	.077	.086	.095	.103	.121	.137	.154	.171	.189
7			.064	.072	.080	.088	.096	.111	.127	.142	.158	.175
8			.069	.077	.085	.094	.102	.120	.135	.154	.170	.186
9	n/a	n/a	.069	.077	.085	.096	.102	.121	.136	.155	.170	.189
0			.069	.076	.085	.095	.103	.119	.136	.154	.171	.189
.			.023	.027	.030	.033	.036	.042	.048	.053	.060	.066
,	n/a	n/a	.023	.027	.030	.033	.037	.042	.048	.054	.060	.066
+			.056	.063	.071	.077	.084	.098	.114	.127	.141	.155
-			.030	.034	.037	.042	.045	.053	.061	.068	.076	.083
/	n/a	n/a	.039	.043	.049	.052	.058	.068	.077	.086	.096	.104

Note: Minimum distance between characters is critical to legibility and cannot be less than .015".

Note: All gray areas represent printable surfaces.

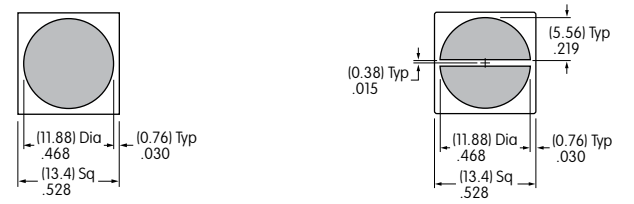
**AT3074 Sculptured Cap Lens, Illuminated, or
AT3073 Sculptured Cap Lens, Nonilluminated**

1 line maximum height .510"
2 lines maximum height .240"
Maximum width .510"



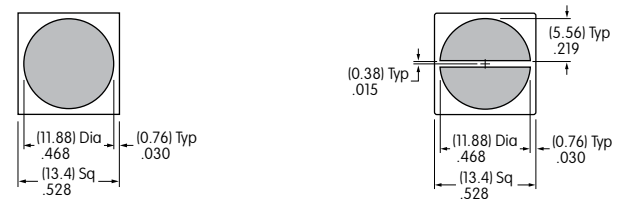
**AT3074 Sculptured Cap Diffuser, Illuminated, or
AT3073 Sculptured Cap Insert, Nonilluminated**

1 line maximum height .468"
2 lines maximum height .219"
Maximum width .468"



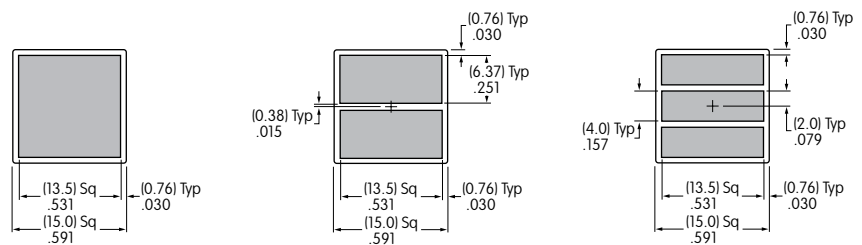
**AT3074 Sculptured Cap Film Insert, Illuminated, or
AT3073 Sculptured Cap Film Insert, Nonilluminated**

1 line maximum height .468"
2 lines maximum height .219"
Maximum width .468"



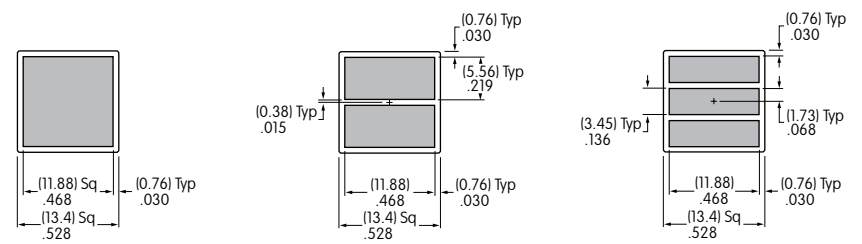
AT3076 Flat Cap Lens, Illuminated

1 line maximum height .531"
2 lines maximum height .251"
3 lines maximum height .157"
Maximum width .531"



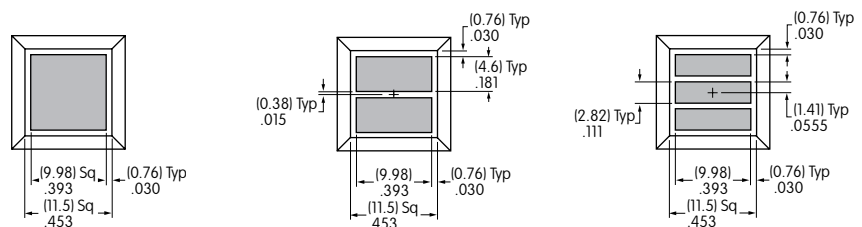
**AT3076 Flat Cap Film Insert, Illuminated,
or AT3076 Flat Cap Diffuser, Illuminated**

1 line maximum height .468"
2 lines maximum height .219"
3 lines maximum height .136"
Maximum width .468"



**AT3075 Beveled Cap, Illuminated, or
AT3077 Beveled Cap, Nonilluminated**

1 line maximum height .393"
2 lines maximum height .181"
3 lines maximum height .111"
Maximum width .393"



For Sculptured: Note maximum space available for 1 or 2 line legends. These dimensions must be considered when choosing font style and size for round printable area of cap lens, diffuser, insert or film insert.