



Chipsmall Limited consists of a professional team with an average of over 10 year of expertise in the distribution of electronic components. Based in Hongkong, we have already established firm and mutual-benefit business relationships with customers from,Europe,America and south Asia,supplying obsolete and hard-to-find components to meet their specific needs.

With the principle of “Quality Parts,Customers Priority,Honest Operation,and Considerate Service”,our business mainly focus on the distribution of electronic components. Line cards we deal with include Microchip,ALPS,ROHM,Xilinx,Pulse,ON,Everlight and Freescale. Main products comprise IC,Modules,Potentiometer,IC Socket,Relay,Connector.Our parts cover such applications as commercial,industrial, and automotives areas.

We are looking forward to setting up business relationship with you and hope to provide you with the best service and solution. Let us make a better world for our industry!



Contact us

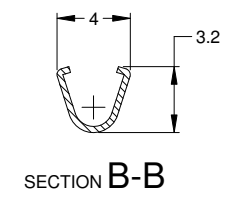
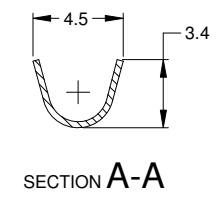
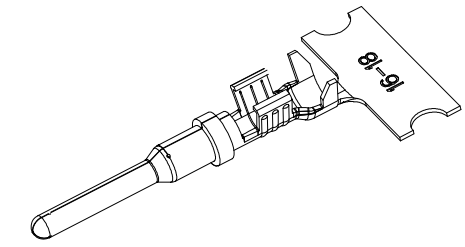
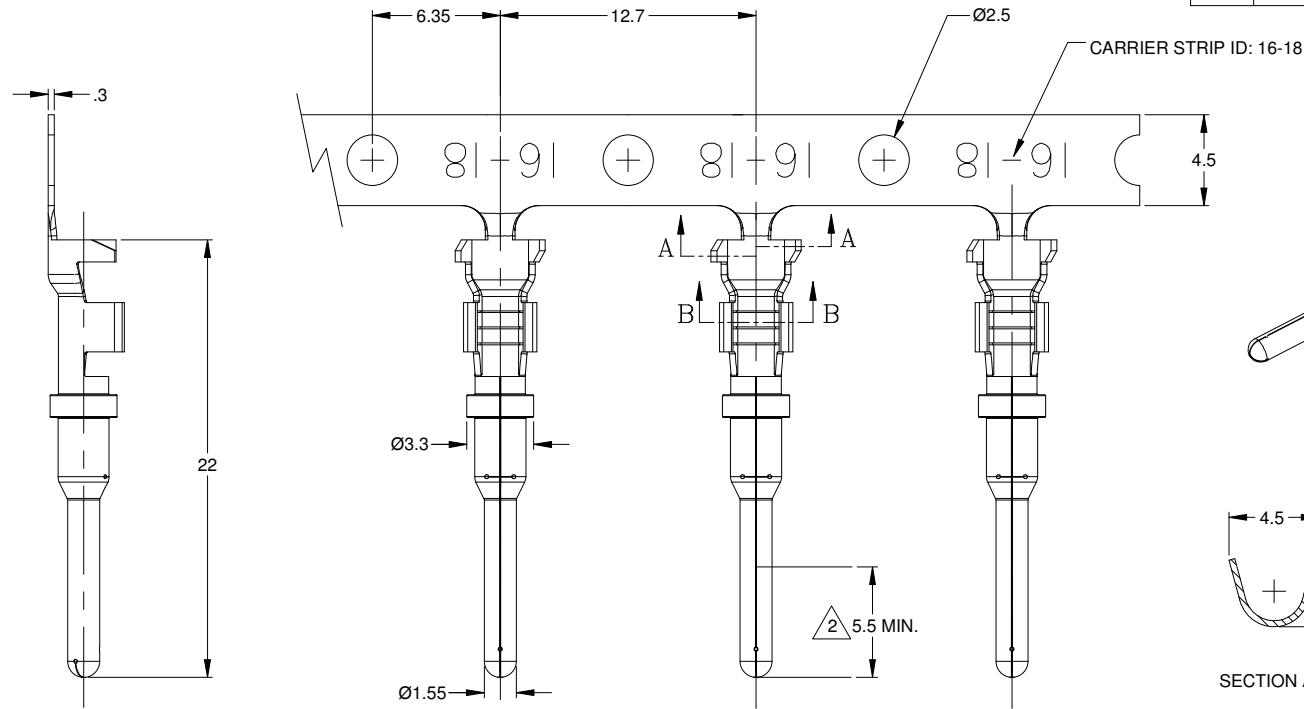
Tel: +86-755-8981 8866 Fax: +86-755-8427 6832

Email & Skype: info@chipsmall.com Web: www.chipsmall.com

Address: A1208, Overseas Decoration Building, #122 Zhenhua RD., Futian, Shenzhen, China



| REVISIONS | | | | | |
|-----------|-----|------------------------|----------|-----|------|
| REV | ECO | DESCRIPTION | DATE | BY | APPR |
| A3 | - | RELEASE NEW DWG FORMAT | 21OCT13 | DRP | - |
| A4 | - | REVISED PLATING INFO | 16JUN/16 | JAH | - |



NOTES: UNLESS OTHERWISE SPECIFIED

1. MATERIAL: COPPER ALLOY
2. PLATING: SEE PART NUMBER CHART
*FOR GOLD PLATED CONTACTS: SELECTIVE GOLD FLASH IN CONTACT ZONE ONLY.
3. CONTACT SIZE: 16
4. SPECIFICATIONS:
 - 4.1 CURRENT RATING: 13 AMPS
 - 4.2 CONTACT MILLIVOLT DROP: 100 MILLIVOLT DROP @ 13 AMP TEST CURRENT.
 - 4.3 RoHS COMPLIANT
5. RECOMMENDED WIRE RANGE: 16 - 18 AWG
CUSTOMER OPTIONAL WIRE RANGE: 14 AWG
6. PACKAGE: 4000 PCS/REEL
7. AVAILABLE APPLICATORS: MFX-3953-K OR MFX-3953-G
8. ALL DIMENSIONS ARE FOR REFERENCE USE ONLY



| PART NUMBER CHART | |
|-------------------|--------------|
| PLATING | PART NUMBERS |
| NICKEL | AT60-16-0122 |
| GOLD | AT60-16-0144 |

| SEE PART NUMBER CHART | | PART NUMBER | | DESCRIPTION | | ITEM |
|---|--|---|--|--|--|------------------------------------|
| QUANTITY | | MATERIALS LIST | | <p style="text-align: center;">Amphenol</p> <p style="text-align: center;">Sine Systems - www.amphenol-sine.com 44724 Morley Drive Clinton Township, MI 48036</p> <p style="text-align: center;">CONTACT, PIN, STAMPED, SIZE 16, 16-18 AWG, AT & AHD-9 SERIES</p> | | |
| <small>UNLESS OTHERWISE SPECIFIED:</small> 1) All dimensions are in metric(mm). 2) Tolerances are as follows: 1 PL DEC ±0.30 Fractions ±1/64 2 PL DEC ±0.15 Angles ±1° 3 PL DEC ±0.08 3) Note reference = | | <small>SIGNATURES</small> DRAWN: DPARKS DATE: 21OCT13 CHECKED: ENGINEER: APPROVAL: | | <small>CUSTOMER:</small> THIS DRAWING IS SUPPLIED FOR INFORMATION ONLY. DESIGN FEATURES, SPECIFICATIONS AND PERFORMANCE DATA SHOWN HEREON ARE THE PROPERTY OF THE AMPHENOL CORPORATION. NO RIGHTS OF REPRODUCTION ARE IMPLIED. ALL DIMENSIONS ARE SUBJECT TO NORMAL MANUFACTURING VARIATIONS. | | <small>SIZE</small> B C- |
| <small>PROCESS SPECIFICATIONS:</small> NEXT ASSY: | | <small>DWG NO.:</small> AT60-16-01XX | | <small>REVISION:</small> A4 | | |
| <small>SCALE:</small> NONE | | <small>SHEET</small> 1 <small>OF</small> 1 | | | | |

TITLE: PIN, STAMPED, SIZE 16, 16-18 AWG, AT & AHD-9 SERIES
 DWG NO.: AT60-16-01XX
 REV: A4
 SH: 1
 OF: 1