



Chipsmall Limited consists of a professional team with an average of over 10 year of expertise in the distribution of electronic components. Based in Hongkong, we have already established firm and mutual-benefit business relationships with customers from,Europe,America and south Asia,supplying obsolete and hard-to-find components to meet their specific needs.

With the principle of “Quality Parts,Customers Priority,Honest Operation,and Considerate Service”,our business mainly focus on the distribution of electronic components. Line cards we deal with include Microchip,ALPS,ROHM,Xilinx,Pulse,ON,Everlight and Freescale. Main products comprise IC,Modules,Potentiometer,IC Socket,Relay,Connector.Our parts cover such applications as commercial,industrial, and automotives areas.

We are looking forward to setting up business relationship with you and hope to provide you with the best service and solution. Let us make a better world for our industry!



## Contact us

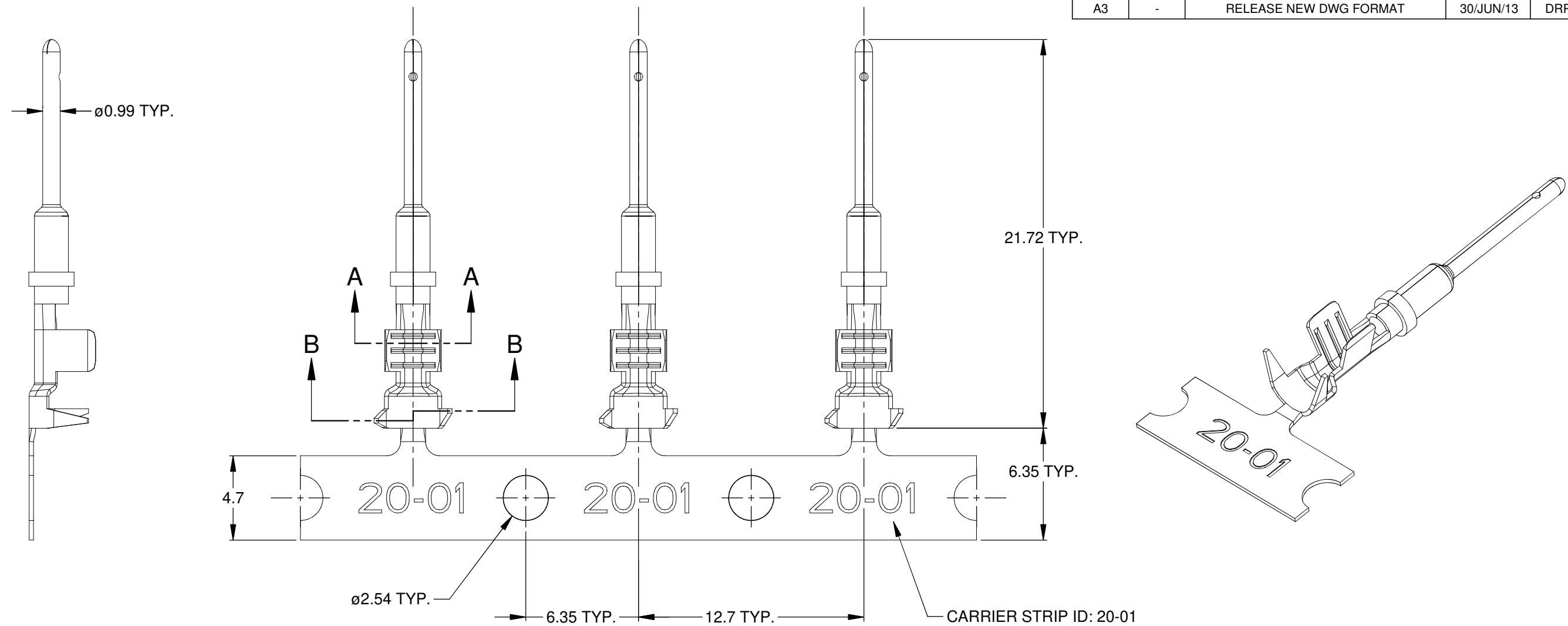
Tel: +86-755-8981 8866 Fax: +86-755-8427 6832

Email & Skype: info@chipsmall.com Web: www.chipsmall.com

Address: A1208, Overseas Decoration Building, #122 Zhenhua RD., Futian, Shenzhen, China

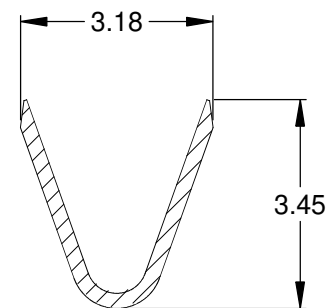
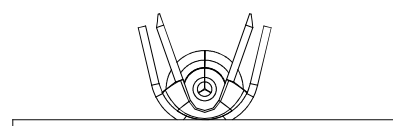


REVISIONS					
REV	ECO	DESCRIPTION	DATE	BY	APPR
A3	-	RELEASE NEW DWG FORMAT	30/JUN/13	DRP	-

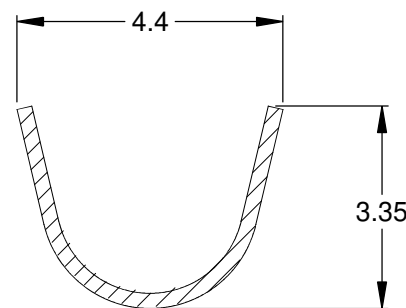


NOTES: UNLESS OTHERWISE SPECIFIED

1. MATERIAL: COPPER ALLOY
2. PLATING: SEE PART NUMBER CHART
3. CONTACT SIZE: 20
4. SPECIFICATIONS:
  - 4.1 CURRENT RATING: 7.5 AMPS
  - 4.2 CONTACT MILLIVOLT DROP: 100 MILLIVOLT DROP MAXIMUM AT 7.5 AMP TEST CURRENT.
  - 4.3 RoHS COMPLIANT
5. RECOMMENDED WIRE RANGE: 18 - 22 AWG
6. PACKAGE: 4000PCS/REEL
7. AVAILABLE APPLICATORS: MFX-3974-K OR MFX-3974-G
8. ALL DIMENSIONS ARE FOR REFERENCE USE ONLY



SECTION A-A



SECTION B-B

PART NUMBER CHART	
PLATING	PART NUMBER
NICKEL	AT60-20-0122
GOLD	AT60-20-0144

SEE PART NUMBER CHART		DESCRIPTION		ITEM
QUANTITY	PART NUMBER	MATERIALS LIST		
UNLESS OTHERWISE SPECIFIED		SIGNATURES		DATE
1) All dimensions are in metric(mm).		DRAWN: D.PARKS		30/JUN/13
2) Tolerances are as follows:		CHECKED:		
1 PL DEC ±0.30		ENGINEER:		
2 PL DEC ±0.15		APPROVAL:		
3 PL DEC ±0.08		CUSTOMER:		
3) Note reference = X		THIS DRAWING IS SUPPLIED FOR INFORMATION ONLY. DESIGN FEATURES, SPECIFICATIONS AND PERFORMANCE DATA SHOWN HEREON ARE THE PROPERTY OF THE AMPHENOL CORPORATION. NO RIGHTS OF REPRODUCTION ARE IMPLIED. ALL DIMENSIONS ARE SUBJECT TO NORMAL MANUFACTURING VARIATIONS.		
MATERIAL SPECIFICATIONS:		SIZE: B C-		DWG NO: AT60-20-01XX
PROCESS SPECIFICATIONS:		REVISION: A3		
NEXT ASSY:		SCALE: NONE		SHEET 1 OF 1

TITLE: CONTACT, PIN, STAMPED, SIZE 20, 18-22 AWG, ATM SERIES  
 DWG NO: AT60-20-01XX  
 REV: A3  
 SH: 1  
 OF: 1