



Chipsmall Limited consists of a professional team with an average of over 10 year of expertise in the distribution of electronic components. Based in Hongkong, we have already established firm and mutual-benefit business relationships with customers from,Europe,America and south Asia,supplying obsolete and hard-to-find components to meet their specific needs.

With the principle of “Quality Parts,Customers Priority,Honest Operation,and Considerate Service”,our business mainly focus on the distribution of electronic components. Line cards we deal with include Microchip,ALPS,ROHM,Xilinx,Pulse,ON,Everlight and Freescale. Main products comprise IC,Modules,Potentiometer,IC Socket,Relay,Connector.Our parts cover such applications as commercial,industrial, and automotives areas.

We are looking forward to setting up business relationship with you and hope to provide you with the best service and solution. Let us make a better world for our industry!



## Contact us

Tel: +86-755-8981 8866 Fax: +86-755-8427 6832

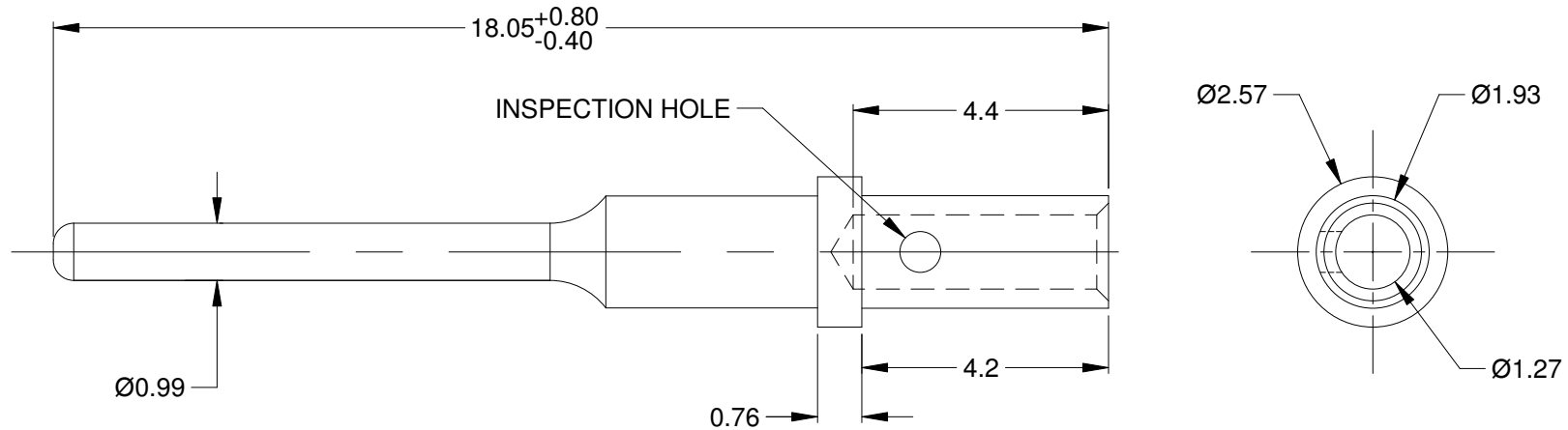
Email & Skype: info@chipsmall.com Web: www.chipsmall.com

Address: A1208, Overseas Decoration Building, #122 Zhenhua RD., Futian, Shenzhen, China



REVISIONS

REV	ECO	DESCRIPTION	DATE	BY	APPR
A3	-	RELEASE NEW DWG FORMAT	16/JUL/13	DRP	-
A4	-	ADDED BARREL DIA. 1.27	04/DEC/14	JAH	-
A5	-	REVISED OVERALL LENGTH LIMITS	19/APR/16	JAH	-



NOTES: UNLESS OTHERWISE SPECIFIED

1. MATERIAL: COPPER ALLOY
2. PLATING: SEE PART NUMBER CHART
3. CONTACT SIZE: 20
4. SPECIFICATIONS:
  - 4.1 CURRENT RATING: 7.5 AMPS
  - 4.2 CONTACT MILLIVOLT DROP: 60 MILLIVOLT DROP @ 7.5 AMP TEST CURRENT.
  - 4.3 RoHS COMPLIANT
5. RECOMMENDED WIRE RANGE: 20 - 22 AWG
6. AVAILABLE HAND CRIMPER: CA-5D12
7. ALL DIMENSIONS ARE FOR REFERENCE USE ONLY

PART NUMBER CHART

PLATING	PART NUMBER
GOLD	AT60-202-2031
NICKEL	AT60-202-20141

SEE PART NUMBER CHART

PART NUMBER

DESCRIPTION

ITEM

QUANTITY MATERIALS LIST

UNLESS OTHERWISE SPECIFIED

- 1) All dimensions are in metric(mm).
- 2) Tolerances are as follows:
 

1 PL DEC ±0.30	Fractions ±1/64 Angles ±1°
2 PL DEC ±0.15	
3 PL DEC ±0.08	
- 3) Note reference =

MATERIAL SPECIFICATIONS:

PROCESS SPECIFICATIONS:

NEXT ASSY:

SIGNATURES DATE

DRAWN: D.PARKS 16/JUL/13

CHECKED:

ENGINEER:

APPROVAL:

CUSTOMER:

THIS DRAWING IS SUPPLIED FOR INFORMATION ONLY. DESIGN FEATURES, SPECIFICATIONS AND PERFORMANCE DATA SHOWN HEREON ARE THE PROPERTY OF THE AMPHENOL CORPORATION. NO RIGHTS OF REPRODUCTION ARE IMPLIED. ALL DIMENSIONS ARE SUBJECT TO NORMAL MANUFACTURING VARIATIONS.

**Amphenol**

Sine Systems - www.amphenol-sine.com  
44724 Morley Drive  
Clinton Township, MI 48036

CONTACT, PIN, SOLID, SIZE 20,  
20 - 22 AWG, ATM SERIES

SIZE	TYPE	DWG NO:	REVISION
A	C-	AT60-202-20XXX	A5
SCALE: NONE		SHEET 1 OF 1	