



Chipsmall Limited consists of a professional team with an average of over 10 year of expertise in the distribution of electronic components. Based in Hongkong, we have already established firm and mutual-benefit business relationships with customers from,Europe,America and south Asia,supplying obsolete and hard-to-find components to meet their specific needs.

With the principle of “Quality Parts,Customers Priority,Honest Operation,and Considerate Service”,our business mainly focus on the distribution of electronic components. Line cards we deal with include Microchip,ALPS,ROHM,Xilinx,Pulse,ON,Everlight and Freescale. Main products comprise IC,Modules,Potentiometer,IC Socket,Relay,Connector.Our parts cover such applications as commercial,industrial, and automotives areas.

We are looking forward to setting up business relationship with you and hope to provide you with the best service and solution. Let us make a better world for our industry!



## Contact us

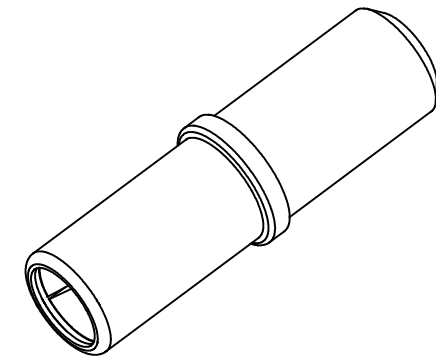
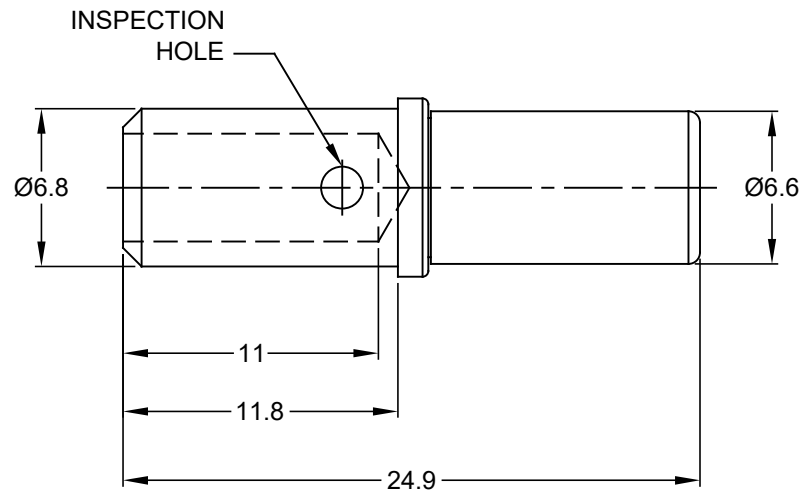
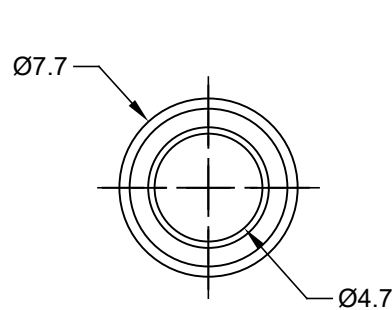
Tel: +86-755-8981 8866 Fax: +86-755-8427 6832

Email & Skype: info@chipsmall.com Web: www.chipsmall.com

Address: A1208, Overseas Decoration Building, #122 Zhenhua RD., Futian, Shenzhen, China



| REVISIONS |     |                     |         |      |       |
|-----------|-----|---------------------|---------|------|-------|
| REV       | ECO | DESCRIPTION         | DATE    | BY   | APPR  |
| A1        | -   | RELEASE NEW DRAWING | 28JUL17 | JONY | TOMMY |



NOTES: UNLESS OTHERWISE SPECIFIED

1. MATERIAL: COPPER ALLOY, NICKEL PLATED
2. CONTACT SIZE: 8#
3. SPECIFICATIONS:
  - 3.1 CURRENT RATING: 60 AMP
  - 3.2 CONTACT MILLIVOLT DROP: 60 MILLIVOLT DROP @ 60 AMP TEST CURRENT.
  - 3.3 ROHS COMPLIANT
4. RECOMMENDED WIRE RANGE: 8 - 10 AWG
5. ALL DIMENSIONS ARE FOR REFERENCE USE ONLY

TITLE: CONTACT SOCKET, SIZE 8, 8-10 AWG  
DWG NO.: AT62-203-08141  
REV: A1  
SH: 1  
OF: 1

| AT62-203-08141                        |                       | DESCRIPTION  |  | ITEM     |
|---------------------------------------|-----------------------|--|--|----------|
| PART NUMBER                           |                       | DESCRIPTION  |  | ITEM     |
| QUANTITY                              | <b>MATERIALS LIST</b> |  |  |          |
| UNLESS OTHERWISE SPECIFIED            |                       | SIGNATURES   |  | DATE     |
| 1) All dimensions are in metric (mm). |                       | DRAWN: Jony  |  | 28JUL17  |
| 2) Tolerances are as follows:         |                       | CHECKED: Orion   |  | 28JUL17  |
| 1 PL DEC ±0.30 Fractions ±1/64        |                       | ENGINEER:  |  |          |
| 2 PL DEC ±0.15 Angles ±1°             |                       | APPROVAL: Tommy  |  | 28JUL17  |
| 3 PL DEC ±0.08                        |                       | CUSTOMER:  |  |          |
| 3) Note reference =                   |                       | THIS DRAWING IS SUPPLIED FOR INFORMATION ONLY. DESIGN FEATURES, SPECIFICATIONS AND PERFORMANCE DATA SHOWN HEREON ARE THE PROPERTY OF THE AMPHENOL CORPORATION. NO RIGHTS OF REPRODUCTION ARE IMPLIED. ALL DIMENSIONS ARE SUBJECT TO NORMAL MANUFACTURING VARIATIONS. |  |          |
| MATERIAL SPECIFICATIONS:              |                       | SIZE   |  | REVISION |
| PROCESS SPECIFICATIONS:               |                       | TYPE   |  |          |
| NEXT ASSY:                            |                       | DWG NO. AT62-203-08141   |  | A1       |
|                                       |                       | SCALE NONE   |  |          |
|                                       |                       | SHEET 1 OF 1   |  |          |

**Amphenol**

Sine Systems - www.amphenol-sine.com  
44724 Morley Drive  
Clinton Township, MI 48036

CONTACT SOCKET, SIZE 8, 8-10 AWG

SIZE B C- REVISION A1  
SCALE NONE SHEET 1 OF 1