



Chipsmall Limited consists of a professional team with an average of over 10 year of expertise in the distribution of electronic components. Based in Hongkong, we have already established firm and mutual-benefit business relationships with customers from,Europe,America and south Asia,supplying obsolete and hard-to-find components to meet their specific needs.

With the principle of "Quality Parts,Customers Priority,Honest Operation,and Considerate Service",our business mainly focus on the distribution of electronic components. Line cards we deal with include Microchip,ALPS,ROHM,Xilinx,Pulse,ON,Everlight and Freescale. Main products comprise IC,Modules,Potentiometer,IC Socket,Relay,Connector.Our parts cover such applications as commercial,industrial, and automotives areas.

We are looking forward to setting up business relationship with you and hope to provide you with the best service and solution. Let us make a better world for our industry!



Contact us

Tel: +86-755-8981 8866 Fax: +86-755-8427 6832

Email & Skype: info@chipsmall.com Web: www.chipsmall.com

Address: A1208, Overseas Decoration Building, #122 Zhenhua RD., Futian, Shenzhen, China



Features

- Utilizes the ARM7TDMI™ ARM® Thumb® Processor Core
 - High-performance 32-bit RISC Architecture
 - High-density 16-bit Instruction Set
 - Leader in MIPS/Watt
 - Embedded ICE (In-Circuit Emulation)
- 3K Bytes Internal RAM
- Fully-programmable External Bus Interface (EBI)
 - Maximum External Address Space of 64M Bytes
 - Up to 8 Chip Selects
 - Software-programmable 8/16-bit External Data Bus
- 8-channel Peripheral Data Controller
- 8-level Priority, Individually-maskable, Vectored Interrupt Controller
 - 5 External Interrupts, including a High-priority, Low-latency Interrupt Request
- 58 Programmable I/O Lines
- 6-channel 16-bit Timer/Counter
 - 6 External Clock Inputs
 - 2 Multi-purpose I/O Pins per Channel
- 3 USARTs
 - 2 Dedicated Peripheral Data Controller (PDC) Channels per USART
 - Support for up to 9-bit Data Transfers
- Master/Slave SPI Interface
 - 2 Dedicated Peripheral Data Controller (PDC) Channels
 - 8- to 16-bit Programmable Data Length
 - 4 External Slave Chip Selects
- Programmable Watchdog Timer
- Power Management Controller (PMC)
 - CPU and Peripherals can be Deactivated Individually
- IEEE 1149.1 JTAG Boundary Scan on all Active Pins
- Fully Static Operation: 0 Hz to 25 MHz (12 MHz @ 1.8V)
- 1.8V to 3.6V Core Operating Voltage Range
- 2.7V to 5.5V I/O Operating Voltage Range
- -40° to +85°C Operating Temperature Range
- Available in a 144-ball PBGA Package

Description

The AT91M43300 is a member of the Atmel AT91 16/32-bit Microcontroller family, which is based on the ARM7TDMI processor core.

This processor has a high-performance 32-bit RISC architecture with a high-density 16-bit instruction set and features very low power consumption. In addition, a large number of internally banked registers result in very fast exception handling, making the device ideal for real-time control applications. The AT91 ARM-based MCU family also features Atmel's high-density, in-system programmable, nonvolatile memory technology.

The AT91M43300 has a direct connection to off-chip memory, including Flash, through the fully-programmable External Bus Interface.

The AT91M43300 is manufactured using Atmel's high-density CMOS technology. By combining the ARM7TDMI microcontroller core with an on-chip SRAM, and a wide range of peripheral functions on a monolithic chip, the AT91M43300 provides a highly-flexible and cost-effective solution to many compute-intensive multi-processor applications.

The compact BGA package reduces required board space to an absolute minimum.



AT91 ARM® Thumb® Microcontrollers

AT91M43300





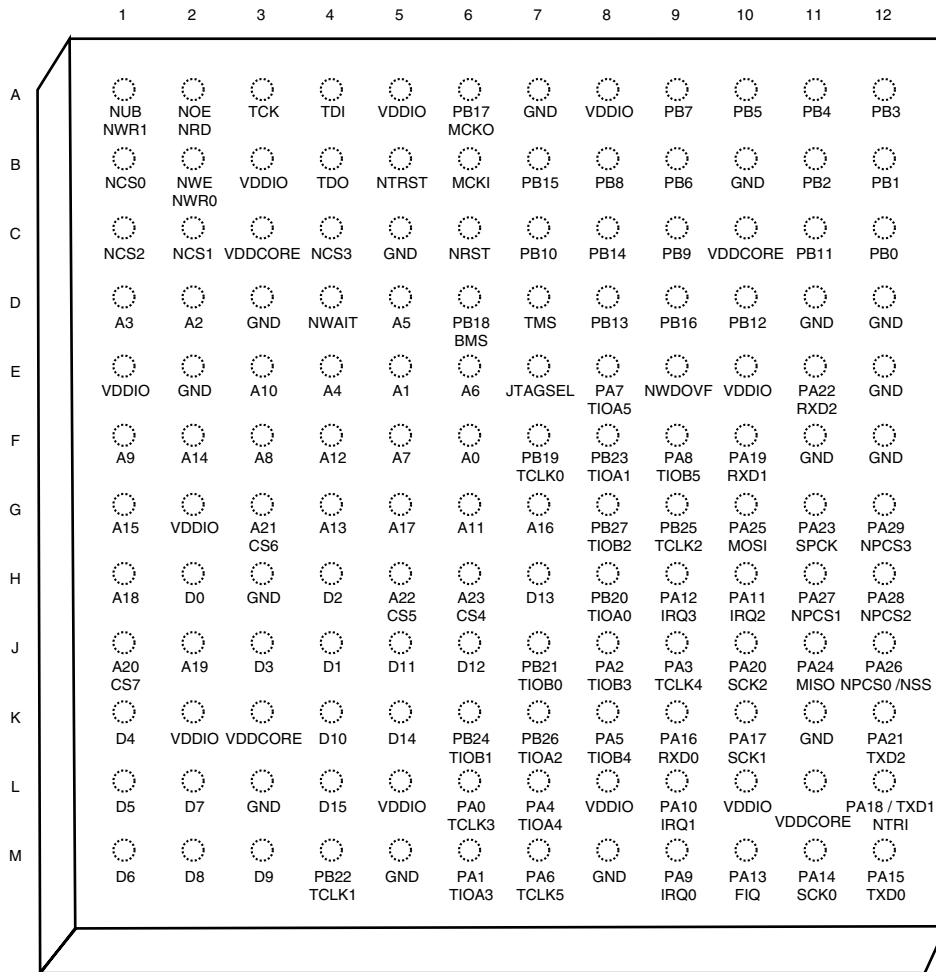
Pin Description

Table 1. AT91M43300 Pin Description

Module	Name	Function	Type	Active Level	Comments
EBI	A0 - A23	Address Bus	Output	–	All valid after reset
	D0 - D15	Data Bus	I/O	–	
	CS4 - CS7	Chip Select	Output	High	A23 - A20 after reset
	NCS0 - NCS3	Chip Select	Output	Low	
	NWR0	Lower Byte 0 Write Signal	Output	Low	Used in Byte Write option
	NWR1	Lower Byte 1 Write Signal	Output	Low	Used in Byte Write option
	NRD	Read Signal	Output	Low	Used in Byte Write option
	NWE	Write Enable	Output	Low	Used in Byte Select option
	NOE	Output Enable	Output	Low	Used in Byte Select option
	NUB	Upper Byte Select (16-bit SRAM)	Output	Low	Used in Byte Select option
	NLB	Lower Byte Select (16-bit SRAM)	Output	Low	Used in Byte Select option
	NWAIT	Wait Input	Input	Low	
	BMS	Boot Mode Select	Input	–	Sampled during reset
AIC	IRQ0 - IRQ3	External Interrupt Request	Input	–	PIO-controlled after reset
	FIQ	Fast External Interrupt Request	Input	–	PIO-controlled after reset
Timer	TCLK0 - TCLK5	Timer External Clock	Input	–	PIO-controlled after reset
	TIOA0 - TIOA5	Multi-purpose Timer I/O Pin A	I/O	–	PIO-controlled after reset
	TIOB0 - TIOB5	Multi-purpose Timer I/O Pin B	I/O	–	PIO-controlled after reset
USART	SCK0 - SCK2	External Serial Clock	I/O	–	PIO-controlled after reset
	TXD0 - TXD2	Transmit Data Output	Output	–	PIO-controlled after reset
	RXD0 - RXD2	Receive Data Input	Input	–	PIO-controlled after reset
SPI	SPCK	SPI Clock	I/O	–	PIO-controlled after reset
	MISO	Master In Slave Out	I/O	–	PIO-controlled after reset
	MOSI	Master Out Slave In	I/O	–	PIO-controlled after reset
	NSS	Slave Select	Input	Low	PIO-controlled after reset
	NPCS0 - NPCS3	Peripheral Chip Select	Output	Low	PIO-controlled after reset
PIO	PA0 - PA29	Programmable I/O Port A	I/O	–	Input after reset
	PB0 - PB27	Programmable I/O Port B	I/O	–	Input after reset
WD	NWDOVF	Watchdog Timer Overflow	Output	Low	Open drain
Clock	MCKI	Master Clock Input	Input	–	Schmitt trigger
	MCKO	Master Clock Output	Output	–	
Reset	NRST	Hardware Reset Input	Input	Low	Schmitt trigger, internal pull-up
JTAG/ICE	JTAGSEL	Selects between JTAG and ICE mode	Input	–	High enables IEEE 1149.1 JTAG boundary scan
	TMS	Test Mode Select	Input	–	Schmitt trigger, internal pull-up
	TDI	Test Data In	Input	–	Schmitt trigger, internal pull-up
	TDO	Test Data Out	Output	–	
	TCK	Test Clock	Input	–	Schmitt trigger, internal pull-up
	NTRST	Test Reset Input	Input	Low	Schmitt trigger, internal pull-up
Power	VDDIO	I/O Power	Power	–	3V or 5V nominal supply
	VDDCORE	Core Power	Power	–	2.0V or 3V nominal supply
	GND	Ground	Ground	–	
Emulation	NTRI	Tristate Mode Enable	Input	Low	Sampled during reset

Pin Configuration

Figure 1. AT91M43300 in 144-ball BGA Package (top view)



Architectural Overview

The AT91M43300 architecture consists of two main buses, the Advanced System Bus (ASB) and the Advanced Peripheral Bus (APB). The ASB is designed for maximum performance. It interfaces the processor with the on-chip 32-bit memories and the external memories and devices by means of the External Bus Interface (EBI). The APB is designed for accesses to on-chip peripherals and is optimized for low power consumption. The AMBA Bridge provides an interface between the ASB and the APB.

An on-chip Peripheral Data Controller (PDC) transfers data between the on-chip USARTs/SPI and the on- and off-chip memories without processor intervention. Most importantly, the PDC removes the processor interrupt handling overhead and significantly reduces the number of clock cycles required for a data transfer. It can transfer up to 64K contiguous bytes without reprogramming the starting address. As a result, the performance of the microcontroller is increased and the power consumption reduced.

The AT91M43300 peripherals are designed to be easily programmable with a minimum number of instructions. Each peripheral has a 16K-byte address space allocated in the upper 3M bytes of the 4G byte address space. Except for the interrupt controller, the peripheral base address is the lowest address of its memory space. The peripheral register set is composed of control, mode, data, status and interrupt registers.

To maximize the efficiency of bit manipulation, frequently-written registers are mapped into three memory locations. The first address is used to set the individual register bits, the second resets the bits and the third address reads the value stored in the register. A bit can be set or reset by writing a one to the corresponding position at the appropriate address. Writing a zero has no effect. Individual bits can thus be modified without having to use costly read-modify-write and complex bit manipulation instructions.

All of the external signals of the on-chip peripherals are under the control of the Parallel I/O controller. The PIO controller can be programmed to insert an input filter on each pin or generate an interrupt on a signal change. After reset, the user must carefully program the PIO Controller in order to define which peripheral signals are connected with off-chip logic.

The ARM7TDMI processor operates in little-endian mode in the AT91M43300 microcontroller. The processor's internal architecture and the ARM and Thumb instruction sets are described in the ARM7TDMI datasheet. The memory map and the on-chip peripherals are described in the datasheet entitled "AT91M63200 Datasheet" (Literature No. 1028). Electrical characteristics for the AT91M43300 are documented in the datasheet "AT91M63200 Electrical and Mechanical Characteristics" (Literature No. 1090).

The ARM standard In-Circuit Emulation debug interface is supported via the ICE port of the AT91M43300 via the JTAG/ICE port when JTAGSEL is low. IEEE JTAG boundary scan is supported via the JTAG/ICE port when JTAGSEL is high.

PDC: Peripheral Data Controller

The AT91M43300 has an 8-channel PDC dedicated to the three on-chip USARTs and to the SPI. One PDC channel is connected to the receiving channel and one to the transmitting channel of each peripheral.

The user interface of a PDC channel is integrated in the memory space of each USART channel and in the memory space of the SPI. It contains a 32-bit address pointer register and a 16-bit count register. When the programmed data is transferred, an end-of-transfer interrupt is generated by the corresponding peripheral. See the USART section and the SPI section for more details on PDC operation and programming.

Power Supplies

The AT91M43300 has two kinds of power supply pins:

- VDDCORE pins, which power the chip core
- VDDIO pins, which power the I/O lines

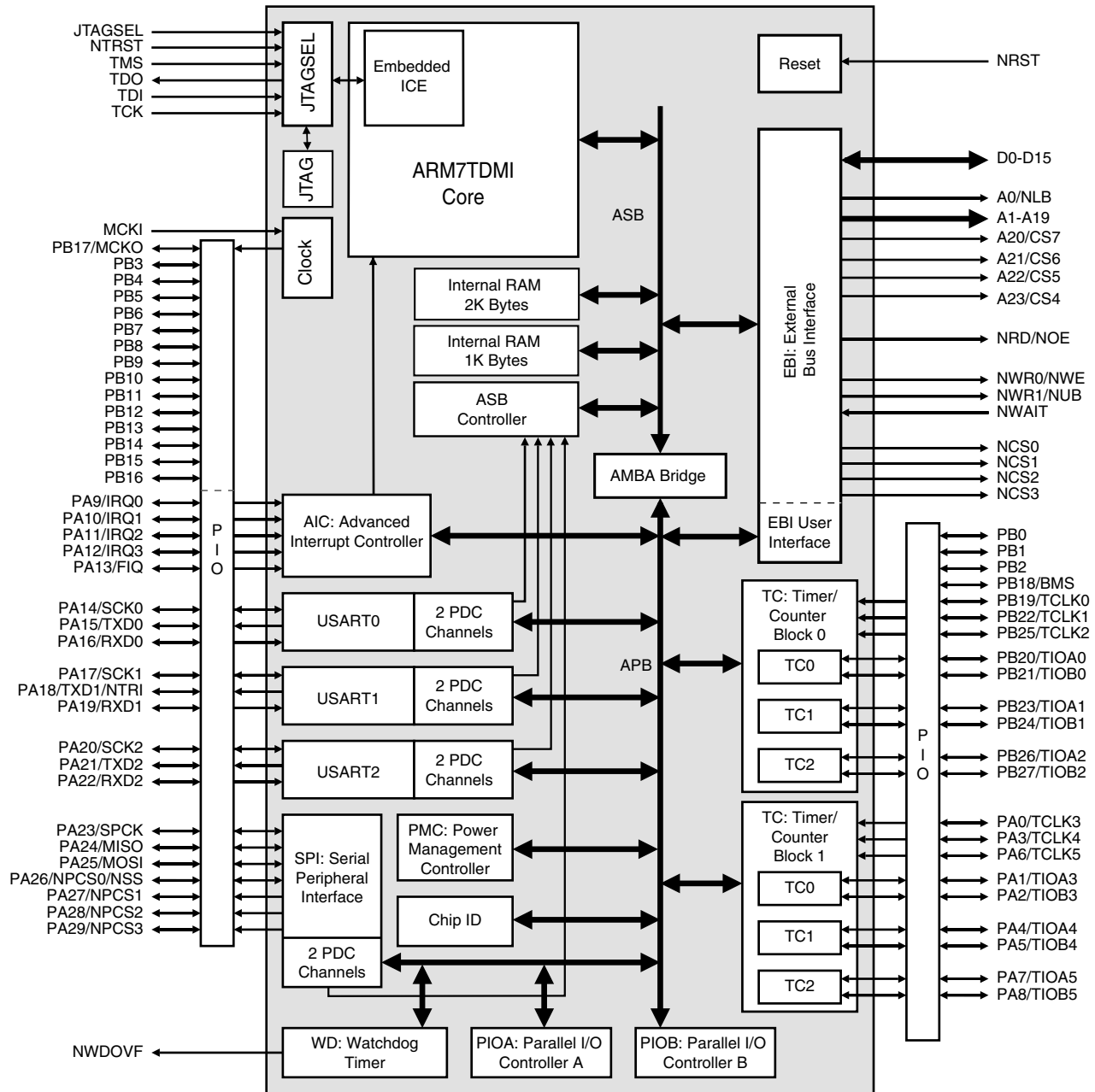
This allows core power consumption to be reduced by supplying it with a lower voltage than the I/O lines. The VDDCORE pins must never be powered at a voltage greater than the supply voltage applied to the VDDIO pins.

Typical supported voltage combinations are shown in the following table:

Pins	Typical Supply Voltages		
	VDDCORE	VDDIO	VDDIO
VDDCORE	3.0V or 3.3V	3.0V or 3.3V	2.0V
VDDIO	5.0V	3.0V or 3.3V	3.0V or 3.3V

Block Diagram

Figure 2. AT91M43300



EBI: External Bus Interface

The EBI generates the signals that control the access to the external memory or peripheral devices. The EBI is fully programmable and can address up to 64M bytes. It has eight chip selects and a 24-bit address bus, the upper four bits of which are multiplexed with a chip select.

The 16-bit data bus can be configured to interface with 8- or 16-bit external devices. Separate read and write control signals allow for direct memory and peripheral interfacing.

The EBI supports different access protocols, allowing single-clock-cycle memory accesses.

The main features are:

- External memory mapping
- Up to eight chip select lines
- 8- or 16-bit data bus
- Byte-write or byte-select lines
- Remap of boot memory
- Two different read protocols
- Programmable wait state generation
- External wait request
- Programmable data float time

AIC: Advanced Interrupt Controller

The AT91M43300 has an 8-level priority, individually-maskable, vectored interrupt controller. This feature substantially reduces the software and real-time overhead in handling internal and external interrupts.

The interrupt controller is connected to the NFIQ (fast interrupt request) and the NIRQ (standard interrupt request) inputs of the ARM7TDMI processor. The processor's NFIQ line can only be asserted by the external fast interrupt request input: FIQ. The NIRQ line can be asserted by the interrupts generated by the on-chip peripherals and the external interrupt request lines: IRQ0 to IRQ3.

An 8-level priority encoder allows the customer to define the priority between the different NIRQ interrupt sources.

Internal sources are programmed to be level sensitive or edge triggered. External sources can be programmed to be positive- or negative-edge triggered or high- or low-level sensitive.

PIO: Parallel I/O Controller

The AT91M43300 features 58 programmable I/O lines. 14 pins on the AT91M43300 are dedicated as general-purpose I/O pins. Other I/O lines are multiplexed with on-chip peripheral I/O signals in order to optimize the use of available package pins. The I/O lines are controlled by two separate and identical PIO controllers (PIOA and PIOB). Each PIO controller also provides an internal interrupt signal to the Advanced Interrupt Controller (AIC).

USART: Universal Synchronous/Asynchronous Receiver/Transmitter

The AT91M43300 provides three identical, full-duplex, universal synchronous/asynchronous receiver/transmitters that interface to the APB and are connected to the Peripheral Data Controller.

The main features are:

- Programmable baud rate generator
- Parity, framing and overrun error detection
- Line break generation and detection
- Automatic echo, local loopback and remote loopback channel modes
- Multi-drop mode: address detection and generation
- Interrupt generation
- Two dedicated Peripheral Data Controller channels
- 5-, 6-, 7-, 8- and 9-bit character length

SPI: Serial Peripheral Interface

The AT91M43300 features an SPI that provides communication with external devices in master or slave mode.

The SPI has four external chip selects that can be connected to up to 15 devices. The data length is programmable, from 8- to 16-bit.

As for the USART, a two-channel PDC is used to move data directly between memory and the SPI without CPU intervention for maximum real-time processing throughput.

TC: Timer/Counter

The AT91M43300 features two identical timer/counter blocks, each containing three identical 16-bit timer/counter channels. Each channel can be independently programmed to perform a wide range of functions, including frequency measurement, event counting, interval measurement, pulse generation, delay timing and pulse width modulation.

Each timer/counter channel has three external clock inputs, five internal clock inputs, and two multi-purpose input/output signals which can be configured by the user. Each channel drives an internal interrupt signal which can be programmed to generate processor interrupts via the Advanced Interrupt Controller (AIC).

Each timer/counter block features two global registers that act upon all three TC channels. The Block Control Register allows the three channels to be started simultaneously with the same instruction. The Block Mode Register defines the external clock inputs for each timer/counter channel, allowing them to be chained.

WD: Watchdog Timer

The AT91M43300 features an internal Watchdog Timer that can be used to guard against system lock-up if the software becomes trapped in a deadlock.

PMC: Power Management Controller

The Power Management Controller allows optimization of power consumption. The PMC enables/disables the clock inputs to most of the peripherals as well as to the ARM processor core.

When the ARM core clock is disabled, the current instruction is processed before the clock is stopped. The clock can be re-enabled by any enabled interrupt or by a hardware reset.

When a peripheral clock is disabled, the clock is immediately stopped. When the clock is re-enabled, the peripheral resumes action where it left off.

Due to the static nature of the design, the contents of the on-chip RAM and registers for which the clocks are disabled remain unchanged.

SF: Special Function

The AT91M43300 provides registers that implement the following special functions:

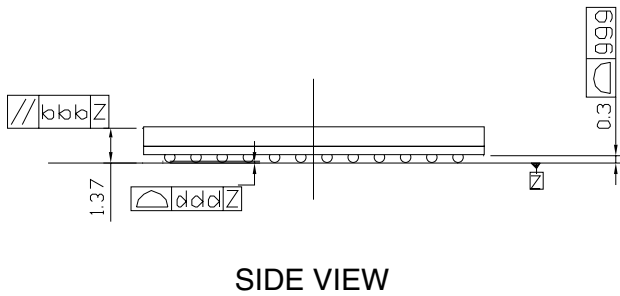
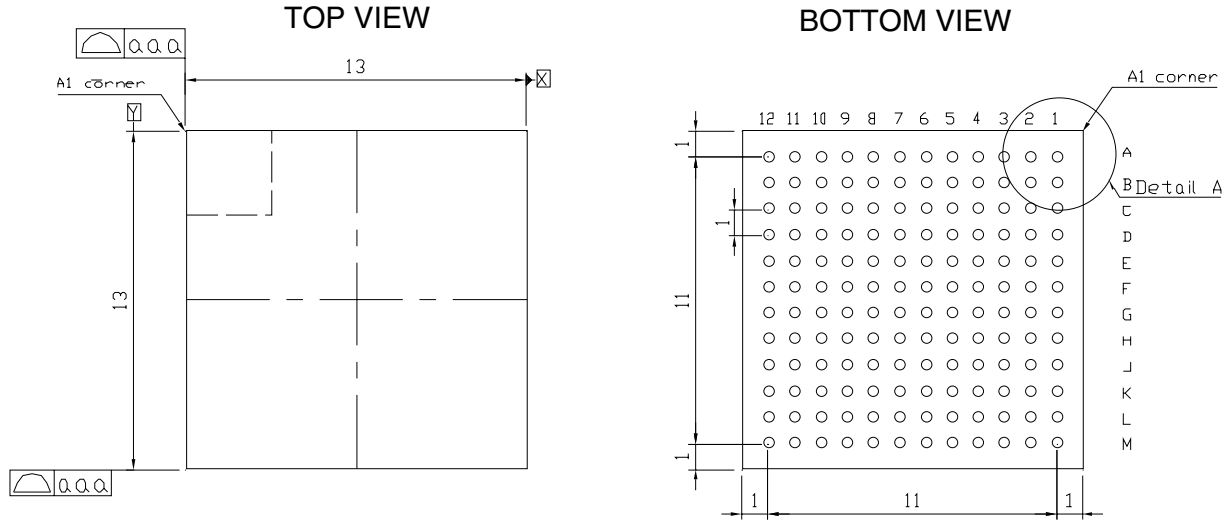
- Chip identification
- RESET status

Ordering Information

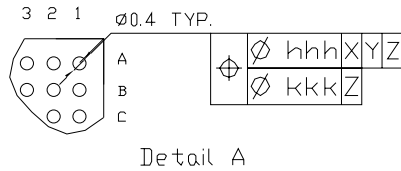
Max Speed (MHz)	Core Operating Voltage	I/O Operating Voltage	Ordering Code	RAM (bytes)	Package	Operating Temperature Range
25	2.7V to 3.6V	2.7V to 5.5V	AT91M43300-25CC	3K	BGA 144	Commercial (0°C to 70°C)
			AT91M43300-25CI			Industrial (-40°C to 85°C)
12	1.8V to 3.6V	2.7V to 3.6V	AT91M43300-12CC-1.8			Commercial (0°C to 70°C)
			AT91M43300-12CI-1.8			Industrial (-40°C to 85°C)

Package Outline BGA144

Figure 3. 144-ball Ball Grid Array Package



Symbol	Max.
aaa	0.1
bbb	0.3
ddd	0.15
ggg	0.03
hhh	0.1
kkk	0.1



NOTES

1. Package dimensions conform to JESD-95-1 Section 5
2. Dimensioning and tolerancing per ASME Y14.5M-1994
3. All dimensions in mm
4. Solder Ball position designation per JESD 95-1, SPP-010
5. Primary datum Z and seating plane are defined by the spherical crowns of the solder balls



Atmel Headquarters

Corporate Headquarters

2325 Orchard Parkway
San Jose, CA 95131
TEL (408) 441-0311
FAX (408) 487-2600

Europe

Atmel U.K., Ltd.
Coliseum Business Centre
Riverside Way
Camberley, Surrey GU15 3YL
England
TEL (44) 1276-686-677
FAX (44) 1276-686-697

Asia

Atmel Asia, Ltd.
Room 1219
Chinachem Golden Plaza
77 Mody Road Tsimhatsui
East Kowloon
Hong Kong
TEL (852) 2721-9778
FAX (852) 2722-1369

Japan

Atmel Japan K.K.
9F, Tonetsu Shinkawa Bldg.
1-24-8 Shinkawa
Chuo-ku, Tokyo 104-0033
Japan
TEL (81) 3-3523-3551
FAX (81) 3-3523-7581

Atmel Operations

Atmel Colorado Springs

1150 E. Cheyenne Mtn. Blvd.
Colorado Springs, CO 80906
TEL (719) 576-3300
FAX (719) 540-1759

Atmel Rousset

Zone Industrielle
13106 Rousset Cedex
France
TEL (33) 4-4253-6000
FAX (33) 4-4253-6001

Fax-on-Demand

North America:
1-(800) 292-8635
International:
1-(408) 441-0732

e-mail

literature@atmel.com

Web Site

<http://www.atmel.com>

BBS

1-(408) 436-4309



© Atmel Corporation 1999.

Atmel Corporation makes no warranty for the use of its products, other than those expressly contained in the Company's standard warranty which is detailed in Atmel's Terms and Conditions located on the Company's web site. The Company assumes no responsibility for any errors which may appear in this document, reserves the right to change devices or specifications detailed herein at any time without notice, and does not make any commitment to update the information contained herein. No licenses to patents or other intellectual property of Atmel are granted by the Company in connection with the sale of Atmel products, expressly or by implication. Atmel's products are not authorized for use as critical components in life support devices or systems.

ARM, Thumb, ARM7TDMI, and ARM Powered are trademarks of ARM Limited.

All other marks bearing ® and/or ™ are registered trademarks and trademarks of Atmel Corporation.
Terms and product names in this document may be trademarks of others.



Printed on recycled paper.

1322A-10/99/5M