



Chipsmall Limited consists of a professional team with an average of over 10 year of expertise in the distribution of electronic components. Based in Hongkong, we have already established firm and mutual-benefit business relationships with customers from,Europe,America and south Asia,supplying obsolete and hard-to-find components to meet their specific needs.

With the principle of “Quality Parts,Customers Priority,Honest Operation,and Considerate Service”,our business mainly focus on the distribution of electronic components. Line cards we deal with include Microchip,ALPS,ROHM,Xilinx,Pulse,ON,Everlight and Freescale. Main products comprise IC,Modules,Potentiometer,IC Socket,Relay,Connector.Our parts cover such applications as commercial,industrial, and automotives areas.

We are looking forward to setting up business relationship with you and hope to provide you with the best service and solution. Let us make a better world for our industry!



Contact us

Tel: +86-755-8981 8866 Fax: +86-755-8427 6832

Email & Skype: info@chipsmall.com Web: www.chipsmall.com

Address: A1208, Overseas Decoration Building, #122 Zhenhua RD., Futian, Shenzhen, China

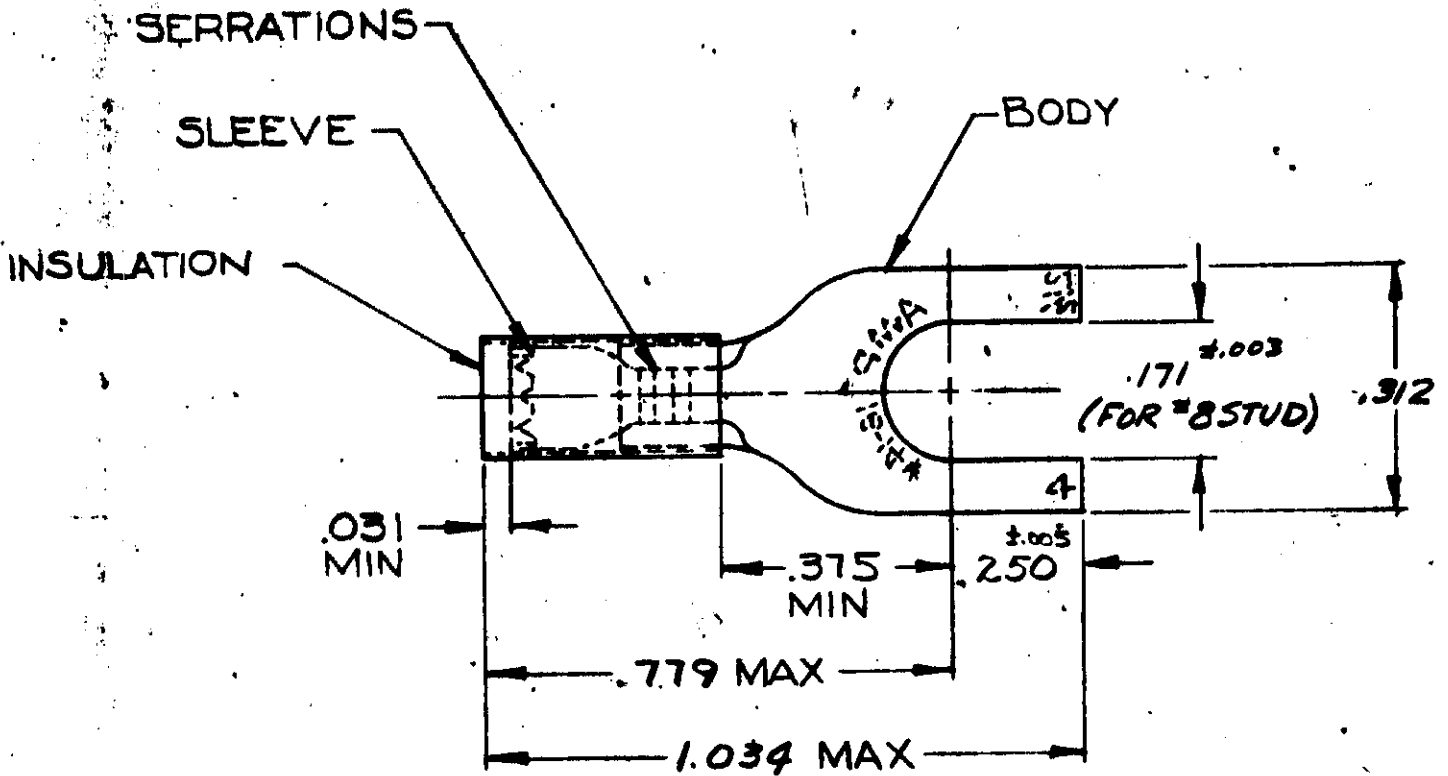


IN AMERICAN PROJECTION


6 147

© 1968 AMP INCORPORATED, ALL RIGHTS RESERVED. AMP PRODUCTS COVERED BY PATENTS AND/OR PATENTS PENDING.

REVISIONS			
LTR	DESCRIPTION	DATE	APPROVED
B	REDRAWN, REVISED P-6079	JME 3-16-70	FCY
C	REV PER 6-4732	JT 7/26/88	PLS



TONGUE MATERIAL THK = .031 ±.002
FOR .115 TO .170 WIRE INSULATION DIA

1	WIRE TERMINAL	325199	BODY: COPPER (QQ-C-576) TIN PL (MIL-T-10727) SLEEVE: COPPER (QQ-C-576) INSULATION: NYLON COLOR: BLUE
QTY	DESCRIPTION	PART NO	MATERIAL & FINISH
UNLESS OTHERWISE SPECIFIED DIMENSIONS ARE IN INCHES TOLERANCES ON: DECIMALS ±.008 ANGLES ± 5°	CONTRACT NO. —		 AMP INCORPORATED HARRISBURG, PENNSYLVANIA
	DR. JME	3-13-70	
	CHK. J.C. Youngblood	3-16-70	NAME
	APPD. J. Swabel	3-16-70	WIRE TERMINAL P.I.D.G. - SPADE WIRE SIZE: 16-14
MATERIAL	REL. J. Swabel	3-17-70	SIZE
SEE TABLE	DSGN APPD.		CODE IDENT NO.
	OTHER APPD.		NUMBER
			A 00779 325199
			SCALE NTS SHEET 1 OF 1