



Chipsmall Limited consists of a professional team with an average of over 10 year of expertise in the distribution of electronic components. Based in Hongkong, we have already established firm and mutual-benefit business relationships with customers from,Europe,America and south Asia,supplying obsolete and hard-to-find components to meet their specific needs.

With the principle of “Quality Parts,Customers Priority,Honest Operation,and Considerate Service”,our business mainly focus on the distribution of electronic components. Line cards we deal with include Microchip,ALPS,ROHM,Xilinx,Pulse,ON,Everlight and Freescale. Main products comprise IC,Modules,Potentiometer,IC Socket,Relay,Connector.Our parts cover such applications as commercial,industrial, and automotives areas.

We are looking forward to setting up business relationship with you and hope to provide you with the best service and solution. Let us make a better world for our industry!



## Contact us

Tel: +86-755-8981 8866 Fax: +86-755-8427 6832

Email & Skype: info@chipsmall.com Web: www.chipsmall.com

Address: A1208, Overseas Decoration Building, #122 Zhenhua RD., Futian, Shenzhen, China



## Features

- PLL Transmitter IC with Single-ended Output
- High Output Power (6dBm)
- Low Current Consumption at 8.1mA (315MHz) and 8.5mA (433MHz)
- Divide by 24 (ATA8404) and 32 (ATA8405) Blocks for 13MHz Crystal Frequencies and for Low XTO Start-up Times
- ASK/FSK Modulation with Internal FSK Switch
- Up to 20Kbps Manchester Coding, Up to 40Kbps NRZ Coding
- Power-down
- ENABLE Input for Parallel Usage of Controlling Pins
- Supply Voltage Range: 1.9V to 3.6V
- ESD Protection at all Pins (4kV HBM)
- Small Package TSSOP10

## Benefits

- Low Parasitic FSK Switch Integrated
- Fast Settling Time < 0.85ms
- Small Form Factor

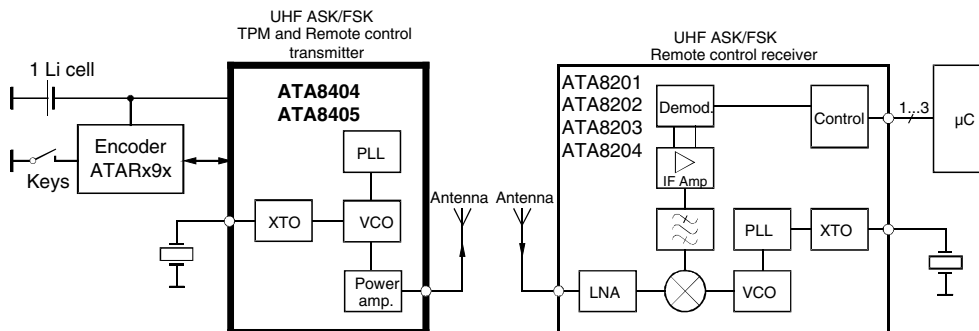
## Applications

- Remote Control Systems
- Alarm, Telemetry, and Energy Metering Systems
- Home Entertainment and Home Automation
- Industrial/Aftermarket Remote Keyless Entry Systems
- Toys

## 1. Description

The Atmel® ATA8404/ATA8405 is a PLL transmitter IC, which has been developed for the demands of RF low-cost transmission systems at data rates up to 20kBaude Manchester coding and 40kBaude NRZ coding. The transmitting frequency range is 313MHz to 317MHz (Atmel ATA8404) and 432MHz to 448MHz (Atmel ATA8405), respectively. It can be used in both FSK and ASK systems.

Figure 1-1. System Block Diagram



## UHF ASK/FSK Transmitter

Atmel  
ATA8404  
ATA8405



## 2. Pin Configuration

Figure 2-1. Pinning TSSOP10

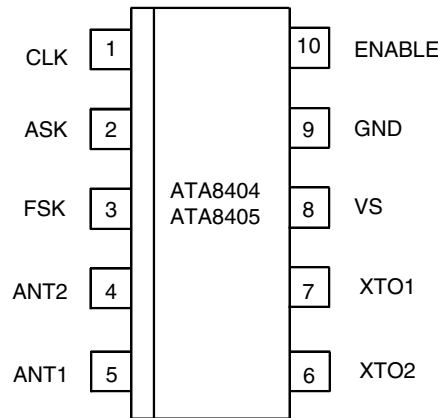


Table 2-1. Pin Description

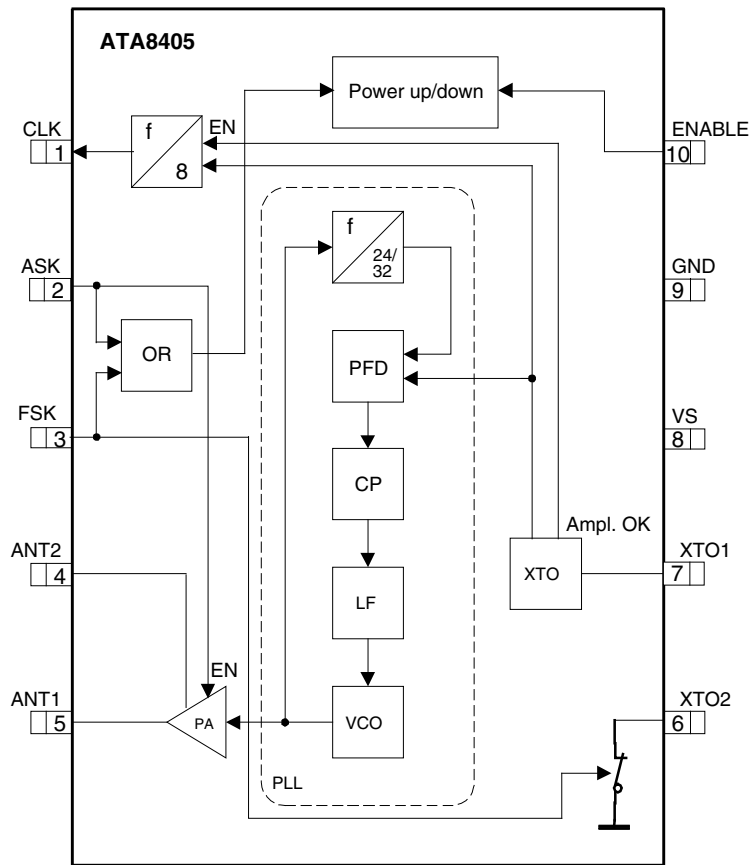
Pin	Symbol	Function	Configuration
1	CLK	<p>Clock output signal for the microcontroller.</p> <p>The clock output frequency is set by the crystal to <math>f_{XTAL}/8</math>.</p> <p>The CLK output stays Low in power-down mode and after enabling of the PLL.</p> <p>The CLK output switches on if the oscillation amplitude of the crystal has reached a certain level.</p>	
2	ASK	<p>Switches on the power amplifier for ASK modulation and enables the PLL and XTO if the ENABLE pin is open.</p>	
3	FSK	<p>Switches off the FSK switch (switch has high Z if signal at pin FSK is High) and enables the PLL and the XTO if the ENABLE pin is open</p>	

**Table 2-1.** Pin Description (Continued)

Pin	Symbol	Function	Configuration
4	ANT2	Emitter of antenna output stage	
5	ANT1	Open collector antenna output	
6	XTO2	Diode switch, used for FSK modulation	<p>(FSK &lt; 0.25V) AND (ENABLE &gt; 1.7V)</p> <p>210µA</p>
7	XTO1	Connection for crystal	<p>VS</p> <p>1.5k</p> <p>1.2k</p> <p>182µA</p> <p>VS</p>
8	VS	Supply voltage	See ESD protection circuitry (see <a href="#">Figure 4-9 on page 14</a> )
9	GND	Ground	See ESD protection circuitry (see <a href="#">Figure 4-9 on page 14</a> )
10	ENABLE	<p>ENABLE input</p> <p>If ENABLE is connected to GND and the ASK or FSK pin is High, the device stays in idle mode.</p> <p>In normal operation ENABLE is left open and ASK or FSK is used to enable the device.</p>	<p>VS</p> <p>30µA</p> <p>(FSK &gt; 1.7V) OR (ASK &gt; 1.7V)</p> <p>150k</p> <p>250k</p>



**Figure 2-2.** Block Diagram



### 3. General Description

This fully integrated PLL transmitter allows the design of simple, low-cost RF miniature transmitters for remote control and other industrial applications. The VCO is locked to  $24 \times f_{XTAL}/32 \times f_{XTAL}$  for Atmel® ATA8404/ATA8405. Thus, a 13.125MHz/13.56MHz crystal is needed for a 315MHz/433.92MHz transmitter. All other PLL and VCO peripheral elements are integrated.

The XTO is a series resonance (current mode) oscillator. Only one capacitor and a crystal connected in series to GND are needed as external elements in an ASK system. The internal FSK switch, together with a second capacitor, can be used for FSK modulation. The crystal oscillator needs typically 0.6 ms until the CLK output is activated if a crystal as defined in the electrical characteristics is used (e.g., TPM crystal). For most crystals used in RKE systems, a shorter time will result.

The CLK output is switched on if the amplitude of the current flowing through the crystal has reached 35% to 80% of its final value. This is synchronized with the 1.64/1.69MHz CLK output. As a result, the first period of the CLK output is always a full period. The PLL is then locked  $< 250\mu\text{s}$  after CLK output activation. This means an additional wait time of  $\geq 250\mu\text{s}$  is necessary before the PA can be switched on and the data transmission can start. This results in a significantly lower time of about 0.85ms between enabling the Atmel ATA8404/ATA8405 and the beginning of the data transmission which saves battery power.

The power amplifier is an open-collector output delivering a current pulse which is nearly independent from the load impedance and can therefore be controlled via the connected load impedance.

This output configuration enables a simple matching to any kind of antenna or to 50Ω. A high power efficiency for the power amplifier results if an optimized load impedance of  $Z_{Load, opt} = 380\Omega + j340\Omega$  (Atmel® ATA8404) at 315MHz and  $Z_{Load, opt} = 280\Omega + j310\Omega$  (Atmel ATA8405) at 433.92MHz is used at the 3-V supply voltage.

## 4. Functional Description

If ASK = Low, FSK = Low, and ENABLE = open or Low, the circuit is in power-down mode consuming only a very small amount of current so that a lithium cell used as power supply can work for many years.

If the ENABLE pin is left open, ENABLE is the logical OR operation of the ASK and FSK input pins. This means, the IC can be switched on by either the FSK or the ASK input.

If the ENABLE pin is Low and ASK or FSK are High, the IC is in idle mode where the PLL, XTO, and power amplifier are off and the microcontroller ports controlling the ASK and FSK inputs can be used to control other devices. This can help to save ports on the microcontroller in systems where other devices with 3-wire interface are used.

With FSK = High, ASK = Low, and ENABLE = open or High, the PLL and the XTO are switched on and the power amplifier is off. When the amplitude of the current through the crystal has reached 35% to 80% of its final amplitude, the CLK driver is automatically activated. The CLK output stays Low until the CLK driver has been activated. The driver is activated synchronously with the CLK output frequency, hence, the first pulse on the CLK output is a complete period. The PLL is then locked within < 250μs after the CLK driver has been activated, and the transmitter is then ready for data transmission.

With ASK = High, the power amplifier is switched on. This is used to perform the ASK modulation. During ASK modulation, the IC is enabled with the FSK or the ENABLE pin.

With FSK = Low the switch at pin XTO2 is closed, with FSK = High the switch is open. To achieve a faster start-up of the crystal oscillator, the FSK pin should be High during start-up of the XTO because the series resistance of the resonator seen from pin XTO1 is lower if the switch is off.

The different modes of the ATA8404/ATA8405 are listed in [Table 4-1](#), the corresponding current consumption values can be found in the table [“Electrical Characteristics” on page 15](#).

**Table 4-1.** Atmel ATA8404/ATA8405 Modes

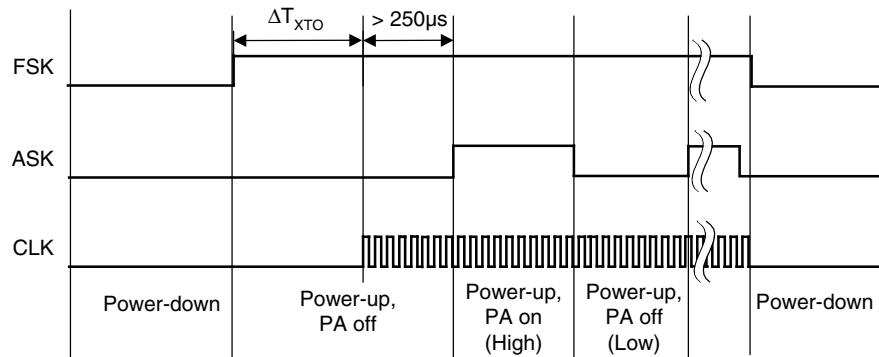
ASK Pin	FSK Pin	ENABLE Pin	Mode
Low	Low	Low/open	Power-down mode, FSK switch High Z
Low	Low	High	Power-up, PA off, FSK switch Low Z
Low	High	High/open	Power-up, PA off, FSK switch High Z
High	Low	High/open	Power-up, PA on, FSK switch Low Z
High	High	High/open	Power-up, PA on, FSK switch High Z
Low/High	High	Low	Idle mode, FSK switch High Z
High	Low/High	Low	Idle mode, FSK switch High Z

## 4.1 Transmission with ENABLE = open

### 4.1.1 ASK Mode

The Atmel® ATA8404/ATA8405 is activated by ENABLE = open, FSK = High, ASK = Low. The microcontroller is then switched to external clocking. After typically 0.6ms, the CLK driver is activated automatically (i.e., the microcontroller waits until the XTO and CLK are ready). After another time period of  $\leq 250\mu\text{s}$ , the PLL is locked and ready to transmit. The output power can then be modulated by means of pin ASK. After transmission, ASK is switched to Low and the microcontroller returns back to internal clocking. Then, the Atmel ATA8404/ATA8405 is switched to power-down mode with FSK = Low.

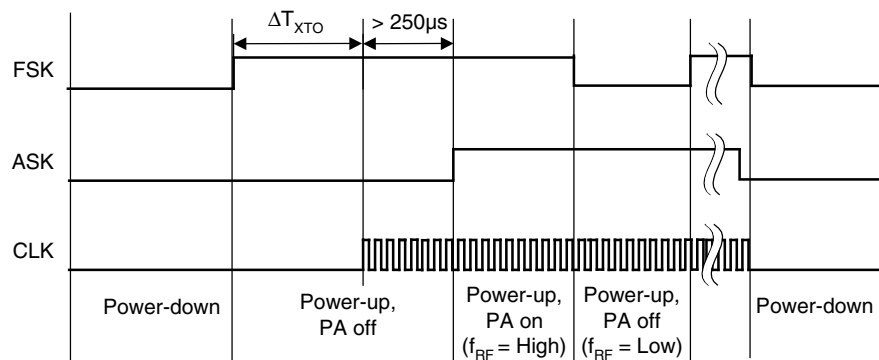
**Figure 4-1.** Timing ASK Mode with ENABLE not Connected to the Microcontroller



### 4.1.2 FSK Mode

The Atmel ATA8404/ATA8405 is activated by FSK = High, ASK = Low. The microcontroller is then switched to external clocking. After typically 0.6ms, the CLK driver is activated automatically (i.e., the microcontroller waits until the XTO and CLK are ready). After another time period of  $\leq 250\mu\text{s}$ , the PLL is locked and ready to transmit. The power amplifier is switched on with ASK = H. The Atmel ATA8404/ATA8405 is then ready for FSK modulation. The microcontroller starts to switch on and off the capacitor between the crystal load capacitor and GND by means of pin FSK, thus, changing the reference frequency of the PLL. If FSK = L the output frequency is lower; if FSK = H the output frequency is higher. After transmission, FSK stays High and ASK is switched to Low and the microcontroller returns back to internal clocking. Then, the ATA8404/ATA8405 is switched to power-down mode with FSK = Low.

**Figure 4-2.** Timing FSK Mode with ENABLE not Connected to the Microcontroller

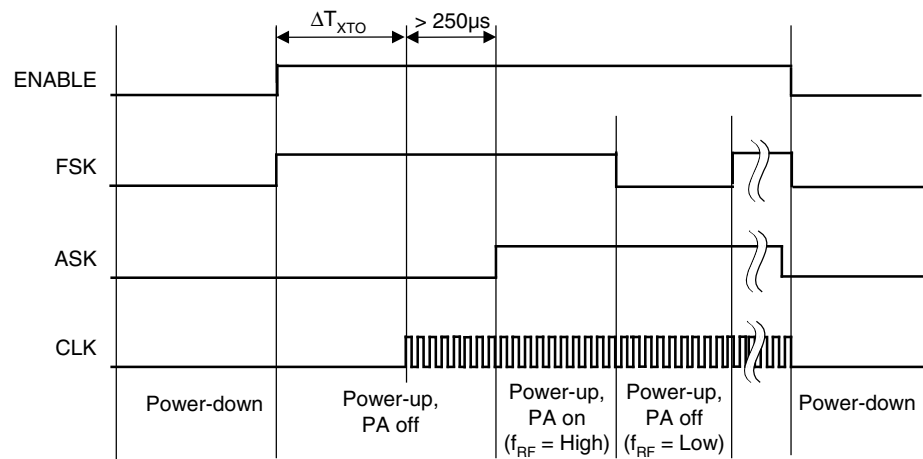


## 4.2 Transmission with ENABLE = High

### 4.2.1 FSK Mode

The Atmel® ATA8404/ATA8405 is activated by ENABLE = High, FSK = High, and ASK = Low. The microcontroller is then switched to external clocking. After typically 0.6 ms, the CLK driver is activated automatically (i.e., the microcontroller waits until the XTO and CLK are ready). After another time period of  $\leq 250\mu\text{s}$ , the PLL is locked and ready to transmit. The power amplifier is switched on with ASK = H. The Atmel ATA8404/ATA8405 is then ready for FSK modulation. The microcontroller starts to switch on and off the capacitor between the crystal load capacitor and GND by means of pin FSK, thus, changing the reference frequency of the PLL. If FSK = L the output frequency is lower, if FSK = H output frequency is higher. After transmission, ASK is switched to Low and the microcontroller returns back to internal clocking. Then, the Atmel ATA8404/ATA8405 is switched to power-down mode with ENABLE = Low and FSK = Low.

**Figure 4-3.** Timing FSK Mode with ENABLE Connected to the Microcontroller

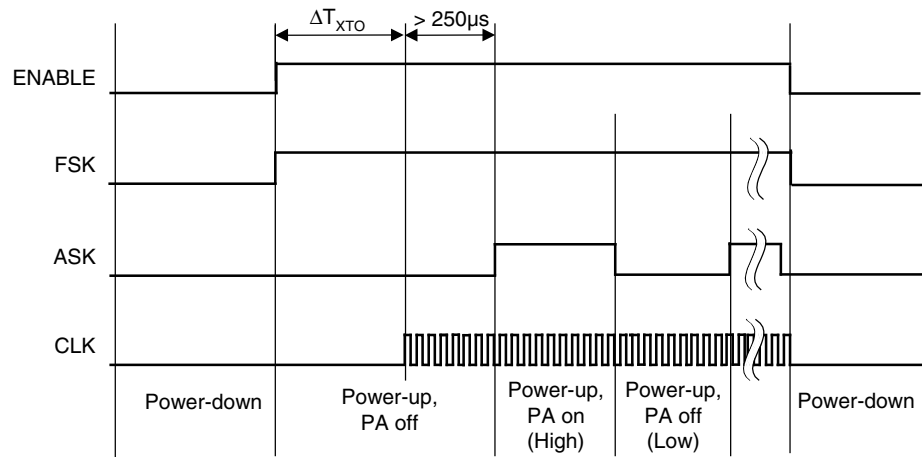


### 4.2.2 ASK Mode

The Atmel ATA8404/ATA8405 is activated by ENABLE = High, FSK = High and ASK = Low. After activation the microcontroller is switched to external clocking. After typically 0.6ms, the CLK driver is activated automatically (the microcontroller waits until the XTO and CLK are ready). After another time period of  $\leq 250\mu\text{s}$ , the PLL is locked and ready to transmit. The output power can then be modulated by means of pin ASK. After transmission, ASK is switched to Low and the microcontroller returns back to internal clocking. Then, the Atmel ATA8404/ATA8405 is switched to power-down mode with ENABLE = Low and FSK = Low.



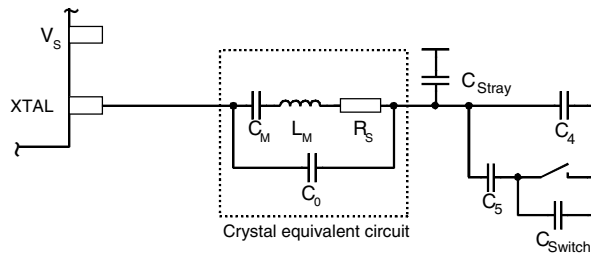
**Figure 4-4.** Timing ASK Mode with ENABLE Connected to the Microcontroller



### 4.3 Accuracy of Frequency Deviation

The accuracy of the frequency deviation using the XTAL pulling method is about  $\pm 20\%$  if the following tolerances are considered. One important aspect is that the values of  $C_0$  and  $C_M$  of typical crystals are strongly correlated, which reduces the tolerance of the frequency deviation.

**Figure 4-5.** Tolerances of Frequency Modulation



Using a crystal with a motional capacitance of  $C_M = 4.37\text{fF} \pm 15\%$ , a nominal load capacitance of  $C_{LNOM} = 18\text{pF}$  and a parallel capacitance of  $C_0 = 1.30\text{pF}$  correlated with  $C_M$  results in  $C_0 = 297 \times C_M$  (the correlation has a tolerance of 10%, so  $C_0 = 267$  to  $326 \times C_M$ ). If using the internal FSK switch with  $C_{Switch} = 0.9\text{pF} \pm 20\%$  and estimated parasitics of  $C_{Stray} = 0.7\text{pF} \pm 10\%$ , the resulting  $C_4$  and  $C_5$  values are  $C_4 = 10\text{pF} \pm 1\%$  and  $C_5 = 15\text{pF} \pm 1\%$  for a nominal frequency deviation of  $\pm 19.3\text{kHz}$  with worst case tolerances of  $\pm 15.8\text{kHz}$  to  $\pm 23.2\text{kHz}$ .

## 4.4 Accuracy of the Center Frequency

The imaginary part of the impedance in large signal steady state oscillation  $IM_{XTO}$ , seen into the pin 7 (XTO1), causes some additional frequency tolerances, due to pulling of the XTO oscillation frequency. These tolerances have to be added to the tolerances of the crystal itself (adjustment tolerance, temperature stability and ageing) and the impact on the center frequency due to tolerances of  $C_4$ ,  $C_5$ ,  $C_{Switch}$  and  $C_{Stray}$ . The nominal value of  $IM_{XTO} = 110\Omega$ ,  $C_{Switch}$  and  $C_{Stray}$  should be absorbed into the  $C_4$  and  $C_5$  values by using a crystal with known frequency and choosing  $C_4$  and  $C_5$ , so that the XTO center frequency equals the crystal frequency, and the frequency deviation is as expected. Then, from the nominal value, the  $IM_{XTO}$  has  $\pm 90\Omega$  tolerances, using the pulling formula  $P = -IM_{XTO} \times C_M \times \pi \times f_{XTO}$  with  $f_{XTO} = 13.56\text{MHz}$  and  $C_M = 4.4\text{fF}$  an additional frequency tolerance of  $P = \pm 16.86\text{ppm}$  results. If using crystals with other  $C_M$  the additional frequency tolerance can be calculated in the same way. For example, a lower  $C_M = 3.1\text{fF}$  will reduce the frequency tolerance to  $11.87\text{ppm}$ , where a higher  $C_M = 5.5\text{fF}$  increases the tolerance to  $21.07\text{ppm}$ .

## 4.5 CLK Output

An output CLK signal of 1.64MHz (Atmel® ATA8404 operating at 315MHz) and 1.69MHz (Atmel ATA8405 operating at 433.92MHz) is provided for a connected microcontroller. The delivered signal is CMOS-compatible with a High and Low time of  $>125\text{ns}$  if the load capacitance is lower than 20pF. The CLK output is Low in power-down mode due to an internal pull-down resistor. After enabling the PLL and XTO the signal stays Low until the amplitude of the crystal oscillator has reached 35% to 80% of its amplitude. Then, the CLK output is activated synchronously with its output signal so that the first period of the CLK output signal is a full period.

### 4.5.1 Clock Pulse Take-over by Microcontroller

The clock of the crystal oscillator can be used for clocking the microcontroller. Atmel's ATARx9x microcontroller family provides the special feature of starting with an integrated RC oscillator to switch on the Atmel ATA8404/ATA8405's external clocking and to wait automatically until the CLK output of the Atmel ATA8404/ATA8405 is activated. After a time period of  $250\mu\text{s}$  the message can be sent with crystal accuracy.

### 4.5.2 Output Matching and Power Setting

The output power is set by the load impedance of the antenna. The maximum output power is achieved with a load impedance of  $Z_{Load, opt} = 380\Omega + j340\Omega$  (Atmel ATA8404) at 315MHz and  $Z_{Load, opt} = 280\Omega + j310\Omega$  (Atmel ATA8405) at 433.92MHz. A low resistive path to  $V_S$  is required to deliver the DC current (see [Figure 4-6 on page 10](#)).

The power amplifier delivers a current pulse and the maximum output power is delivered to a resistive load if the 0.66pF output capacitance of the power amplifier is compensated by the load impedance.

At the ANT1 pin, the RF output amplitude is about  $V_S - 0.5\text{V}$ .

The load impedance is defined as the impedance seen from the ATA8404's ANT1, ANT2 into the matching network. Do not mix up this large-signal load impedance with a small-signal input impedance delivered as an input characteristic of RF amplifiers.

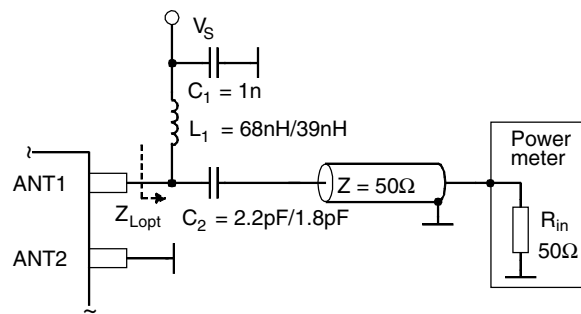
The latter is measured from the application into the IC instead of from the IC into the application for a power amplifier.

The output capacitance of 0.66pF will be absorbed into the load impedance, so a real impedance of 684Ω (Atmel® ATA8404) at 315MHz and 623Ω (Atmel ATA8405) at 433.92MHz should be measured with a network analyses at pin 5 (ANT1) with the Atmel ATA8404/ATA8405 soldered, an optimized antenna connected, and the power amplifier switched off.

Less output power is achieved by lowering the real parallel part where the parallel imaginary part should be kept constant. Lowering the real part of the load impedance also reduces the supply voltage dependency of the output power.

Output power measurement can be done with the circuit as shown in [Figure 4-6](#). Please note that the component values must be changed to compensate for the individual board parasitics until the Atmel ATA8404/ATA8405 has the right load impedance. Also, the damping of the cable used to measure the output power must be calibrated.

**Figure 4-6.** Output Power Measurement Atmel ATA8404/ATA8405



[Table 4-2](#) and [Table 4-3](#) show the output power and the supply current versus temperature and supply voltage.

**Table 4-2.** Output Power and Supply Current versus Temperature and Supply Voltage for the Atmel ATA8404 with  $Z_{Load} = 380\Omega + j340\Omega$  (Correlation Tested)

Ambient Temperature	$V_S = 2.0V$ (dBm/mA)	$V_S = 3.0V$ (dBm/mA)	$V_S = 3.6V$ (dBm/mA)
$T_{amb} = 0^\circ C$	3.1 ±1.5 / 7.2	6.1 +2/-3 / 7.7	7.1 +2/-3 / 7.9
$T_{amb} = +25^\circ C$	3.0 ±1.5 / 7.5	6.0 ±2 / 8.1	7.4 ±2 / 8.3
$T_{amb} = +50^\circ C$	3.0 ±1.5 / 7.5	5.8 +2/-3 / 8.2	7.2 +2/-3 / 8.5

**Table 4-3.** Output Power and Supply Current versus Temperature and Supply Voltage for the Atmel ATA8405 with  $Z_{Load} = 280\Omega + j310\Omega$  (Correlation Tested)

Ambient Temperature	$V_S = 2.0V$ (dBm/mA)	$V_S = 3.0V$ (dBm/mA)	$V_S = 3.6V$ (dBm/mA)
$T_{amb} = 0^\circ C$	3.3 ±1.5 / 7.6	6.2 +2/-3 / 8.1	7.1 +2/-3 / 8.4
$T_{amb} = +25^\circ C$	3.0 ±1.5 / 8.0	6.0 ±2 / 8.5	7.5 ±2 / 8.8
$T_{amb} = +50^\circ C$	2.8 ±1.5 / 8.0	5.7 +2/-3 / 8.6	6.8 +2/-3 / 8.8

## 4.6 Application Circuits

For the supply voltage blocking capacitor  $C_3$ , a value of  $68\text{nF}/X7\text{R}$  is recommended (see [Figure 4-7 on page 12](#) and [Figure 4-8 on page 13](#)).  $C_1$  and  $C_2$  are used to match the loop antenna to the power amplifier. For  $C_2$ , two capacitors in series should be used to achieve a better tolerance value and to enable it to realize  $Z_{\text{Load,opt}}$  by using capacitors with standard values.

Together with the pins of Atmel® ATA8404 and the PCB board wires,  $C_1$  forms a series resonance loop that suppresses the 1<sup>st</sup> harmonic, hence the position of  $C_1$  on the PCB is important. Normally, the best suppression is achieved when  $C_1$  is placed as close as possible to the pins ANT1 and ANT2.

The loop antenna should not exceed a width of 1.5mm, otherwise the Q-factor of the loop antenna is too high.

$L_1$  (50nH to 100nH) can be printed on the PCB.  $C_4$  should be selected so that the XTO runs on the load resonance frequency of the crystal. Normally, a value of 10pF results in a 12pF load-capacitance crystal due to the board parasitic capacitances and the inductive impedance of the XTO1 pin.

Figure 4-7. ASK Application Circuit

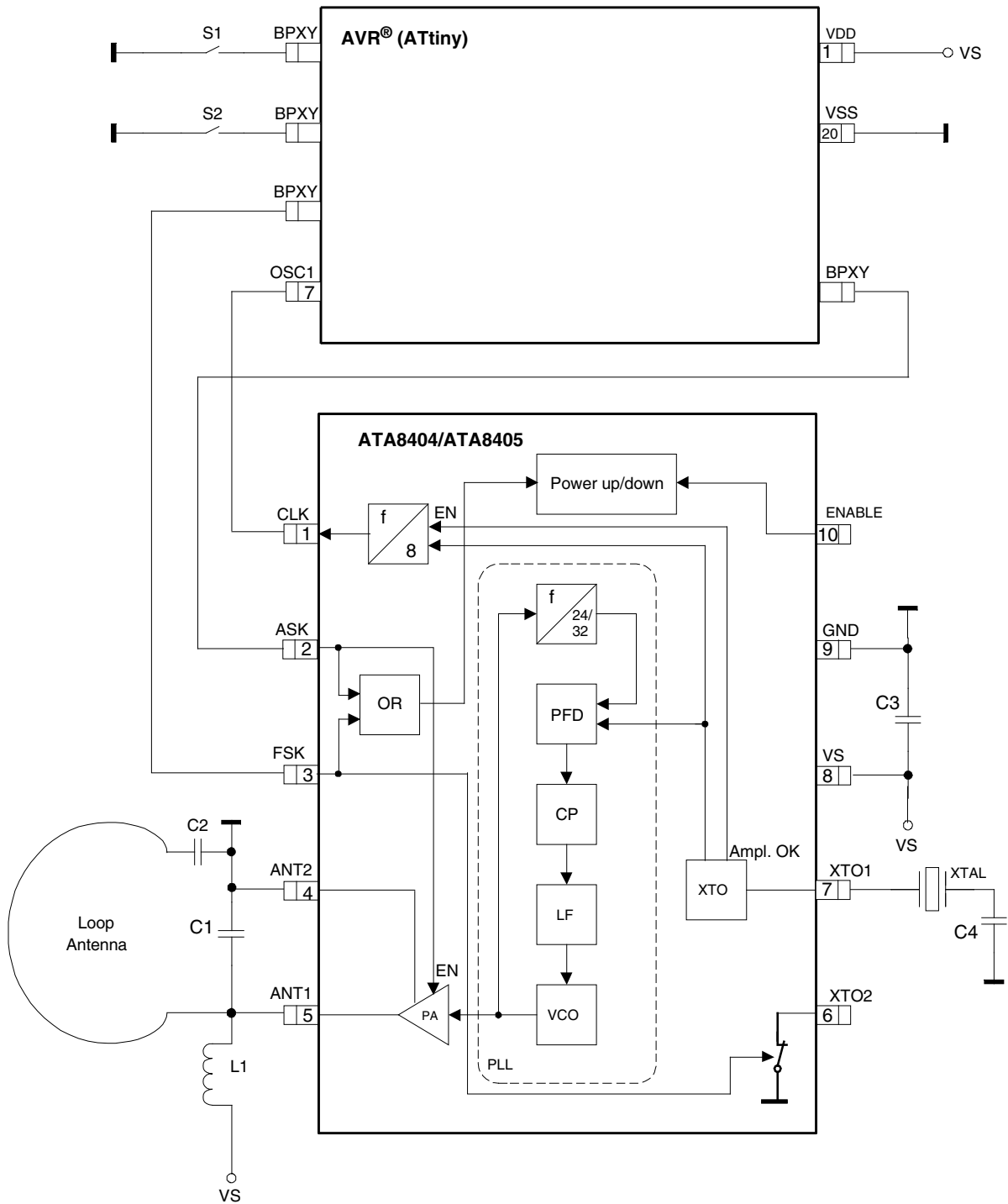
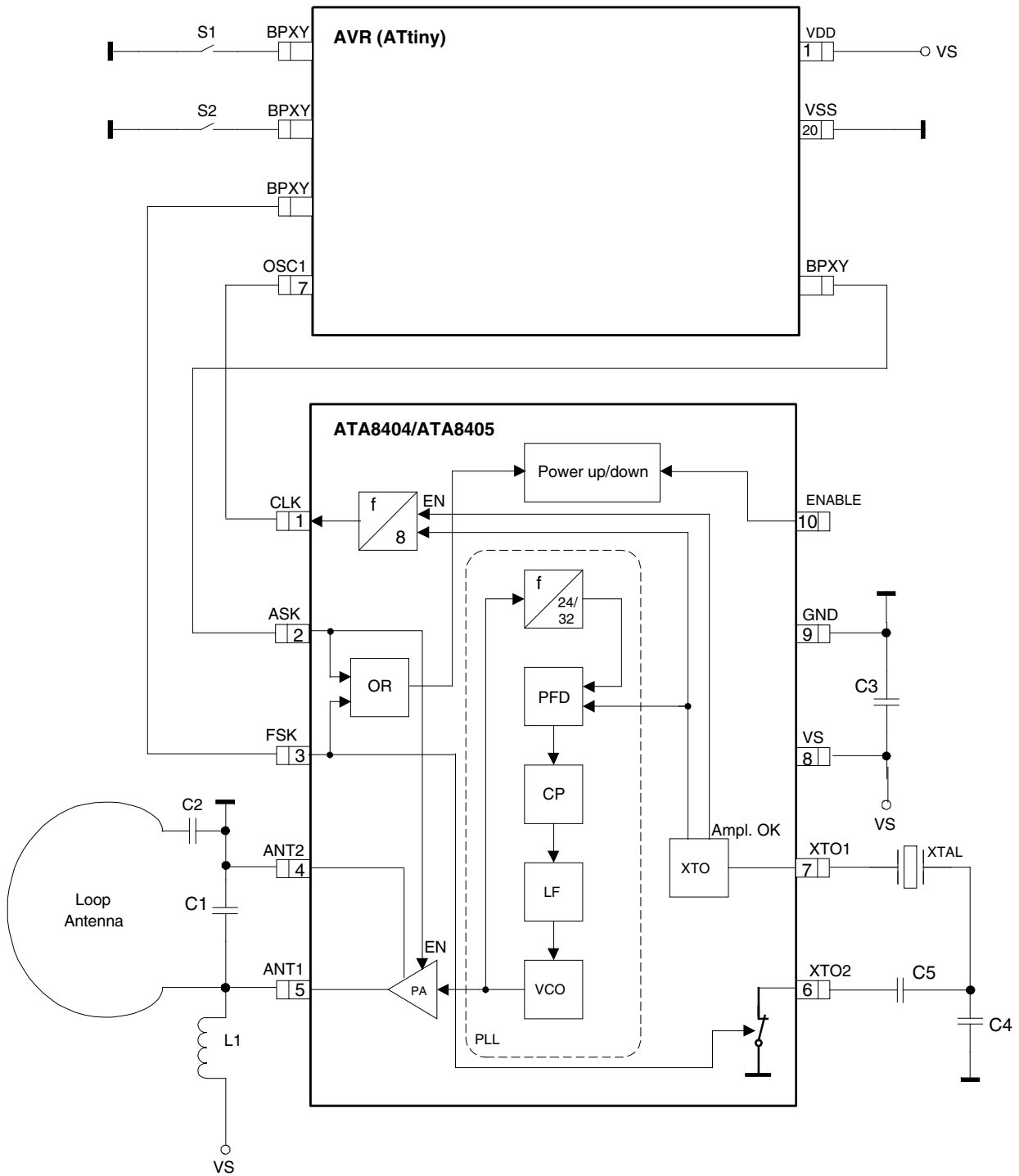
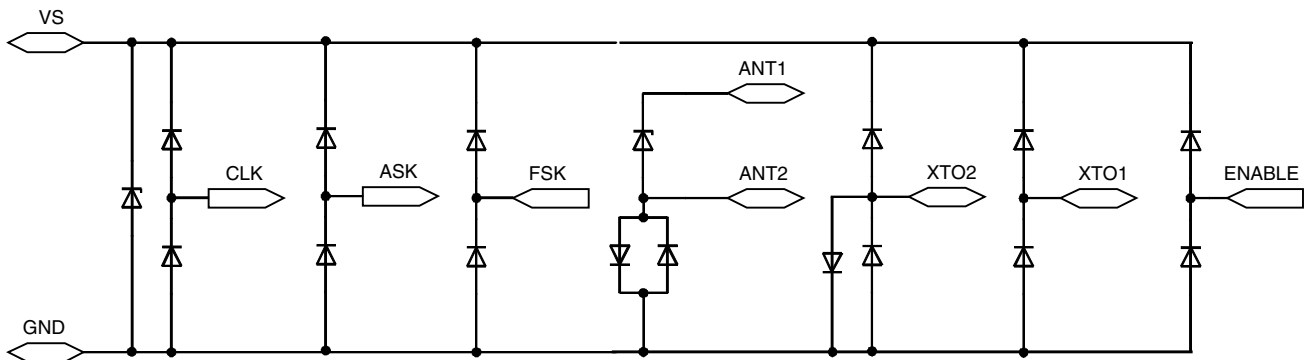




Figure 4-8. FSK Application Circuit



**Figure 4-9.** ESD Protection Circuit



## 5. Absolute Maximum Ratings

Stresses beyond those listed under “Absolute Maximum Ratings” may cause permanent damage to the device. This is a stress rating only and functional operation of the device at these or any other conditions beyond those indicated in the operational sections of this specification is not implied. Exposure to absolute maximum rating conditions for extended periods may affect device reliability.

Parameters	Symbol	Minimum	Maximum	Unit
Supply voltage	$V_S$		5	V
Power dissipation	$P_{tot}$		100	mW
Junction temperature	$T_j$		150	°C
Storage temperature	$T_{stg}$	-55	+85	°C
Ambient temperature	$T_{amb1}$	-55	+85	°C
Ambient temperature in power-down mode for 15 minutes without damage with $V_S \leq 3.2V$ $V_{ENABLE} < 0.25V$ or ENABLE is open, $V_{ASK} < 0.25V$ , $V_{FSK} < 0.25V$	$T_{amb2}$		175	°C
Input voltage	$V_{maxASK}$	-0.3	$(V_S + 0.3)^{(1)}$	V

Note: 1. If  $V_S + 0.3$  is higher than 3.7V, the maximum voltage will be reduced to 3.7V.

## 6. Thermal Resistance

Parameters	Symbol	Value	Unit
Junction ambient	$R_{thJA}$	170	K/W

## 7. Electrical Characteristics

$V_S = 3.0V$  and  $T_{amb} = 25^\circ C$ . All parameters are referred to GND (pin 9).  
 $C_M = 4.37fF$ ,  $C_0 = 1.3pF$ ,  $C_{LNOM} = 18pF$ ,  $C_4 = 10pF$ ,  $C_5 = 15pF$  and  $R_S \leq 60\Omega$

Parameters	Test Conditions	Symbol	Min.	Typ.	Max.	Unit
Supply voltage		$V_S$	1.9		3.6	V
Ambient temperature		$T_{amb}$	0		+50	$^\circ C$
Supply current, power-down mode	$V_{ENABLE} < 0.25V$ or ENABLE is open, $V_{ASK} < 0.25V$ , $V_{FSK} < 0.25V$ $T_{amb} = 25^\circ C$ $T_{amb} = 0^\circ C$ to $+50^\circ C$	$I_{S\_Off}$		1	100 350	nA nA
Supply current, idle mode	$V_{ENABLE} < 0.25V$ , $V_S \leq 3.2V$ ASK,FSK can be Low or High	$I_{S\_IDLE}$			100	$\mu A$
Supply current, power-up, PA off, FSK switch High Z	$V_S \leq 3.2V$ , $V_{FSK} > 1.7V$ , $V_{ASK} < 0.25V$ ENABLE is open	$I_S$		3.6	4.6	mA
Supply current, power-up, PA on, FSK switch High Z	$V_S \leq 3.2V$ , $C_{CLK} \leq 10 pF$ $V_{FSK} > 1.7V$ , $V_{ASK} > 1.7V$ ENABLE is open Atmel ATA8404 Atmel ATA8405	$I_{S\_Transmit1}$		8.1 8.5	9.8 10.5	mA mA
Supply current, power-up, PA on, FSK Low Z	$V_S \leq 3.2V$ , $C_{CLK} \leq 10 pF$ $V_{FSK} < 0.25V$ , $V_{ASK} > 1.7V$ ENABLE is open Atmel ATA8404 Atmel ATA8405	$I_{S\_Transmit2}$		8.4 8.8	10.2 11.0	mA mA
Output power	$f = 315MHz$ for Atmel ATA8404, $Z_{Load, opt} = (380 + j340)\Omega$ $f = 433.92MHz$ for Atmel ATA8405, $Z_{Load, opt} = (280 + j310)\Omega$	$P_{Out}$	4	6	8	dBm
Output power for the full temperature and supply voltage range	$T_{amb} = 0^\circ C$ to $+50^\circ C$	$P_{Out}$	1		8.2	dBm
Spurious emission	$f_{CLK} = f_{XTO}/8$ Load capacitance at pin CLK $\leq 20pF$ $f_0 \pm f_{CLK}$ $f_0 \pm f_{XTO}$ other spurious are lower	Spour		-42 -60		dBc
Harmonics	With $50\Omega$ matching network according to <a href="#">Figure 4-6 on page 10</a> 2nd 3rd			-16 -15		dBc dBc
Oscillator frequency XTO (= phase comparator frequency)	$f_{XTO} = f_0/24$ Atmel ATA8404 $f_{XTO} = f_0/32$ Atmel ATA8405 $f_{XTAL}$ = resonant frequency of the XTAL, $C_M = 4.37fF$ , load capacitance selected accordingly $T_{amb} = 0^\circ C$ to $+50^\circ C$	$\Delta f_{XTO}$	-14.0	$f_{XTAL}$	+14.0	ppm
Imaginary part of XTO1 Impedance in steady state oscillation	Since pulling P is $P = -IM_{XTO} \times C_M \times \pi \times f_{XTO}$ $\Delta f_{XTO}$ can be calculated out of $IM_{XTO}$ with $C_M = 4.37fF$	$IM_{XTO}$	j20	j110	j200	$\Omega$

## 7. Electrical Characteristics (Continued)

$V_S = 3.0V$  and  $T_{amb} = 25^\circ C$ . All parameters are referred to GND (pin 9).

$C_M = 4.37fF$ ,  $C_0 = 1.3pF$ ,  $C_{LNOM} = 18pF$ ,  $C_4 = 10pF$ ,  $C_5 = 15pF$  and  $R_S \leq 60\Omega$

Parameters	Test Conditions	Symbol	Min.	Typ.	Max.	Unit
Real part of XTO1 impedance in small signal oscillation	This value is important for crystal oscillator start-up	$RE_{XTO}$	-650	-1100		$\Omega$
Crystal oscillator start-up time	Time between ENABLE of the IC with FSK = H and activation of the CLK output. The CLK is activated synchronously to the output frequency if the current through the XTAL has reached 35% to 80% of its maximum amplitude. Crystal parameters: $C_M = 4.37fF$ , $C_0 = 1.3pF$ , $C_{LNOM} = 18pF$ , $C_4 = 10pF$ , $C_5 = 15pF$ , $R_S \leq 60\Omega$	$\Delta T_{XTO}$		0.6	1.4	ms
XTO drive current	Current flowing through the crystal in steady state oscillation (peak-to-peak value)	$I_{DXTO}$		300		$\mu App$
Locking time of the PLL	Time between the activation of CLK and when the PLL is locked (transmitter ready for data transmission)	$\Delta T_{PLL}$			250	$\mu s$
PLL loop bandwidth		$f_{Loop\_PLL}$		250		kHz
In loop phase noise PLL	25kHz distance to carrier	$L_{PLL}$		-85	-76	dBc/Hz
Phase noise VCO	at 1MHz at 36MHz	$L_{at1M}$ $L_{at36M}$		-90 -121	-84 -115	dBc/Hz dBc/Hz
Frequency range of VCO	Atmel ATA8404 Atmel ATA8405	$f_{VCO}$	310 432		317 448	MHz MHz
Clock output frequency (CMOS microcontroller compatible)	Atmel ATA8404 Atmel ATA8405	$f_{CLK}$		$f_0/192$ $f_0/256$		MHz
Clock output minimum High and Low time	$C_{Load} \leq 20pF$ , High = $0.8 \times V_S$ , Low = $0.2 \times V_S$ , $f_{CLK} < 1.7MHz$	$T_{CLKLH}$	125			ns
Series resonance resistance of the resonator seen from pin XTO1	For proper detection of the XTO amplitude	$R_{s\_max}$			150	$\Omega$
Capacitive load at Pin XTO1		$C_{L\_max}$			5	pF
FSK modulation frequency rate	This corresponds to 20kBaud in Manchester coding and 40kBaud in NRZ coding	$f_{MOD\_FSK}$	0		20	kHz
FSK switch OFF resistance	High Z	$R_{SWIT\_OFF}$	50			k $\Omega$
FSK switch OFF capacitance	High Z capacitance	$C_{SWIT\_OFF}$	0.75	0.9	1.1	pF
FSK switch ON resistance	Low Z	$R_{SWIT\_ON}$		130	175	$\Omega$
ASK modulation frequency rate	Duty cycle of the modulation signal = 50%, this corresponds to 20kBaud in Manchester coding and 40kBaud in NRZ coding	$f_{MOD\_ASK}$	0		20	kHz

## 7. Electrical Characteristics (Continued)

$V_S = 3.0V$  and  $T_{amb} = 25^\circ C$ . All parameters are referred to GND (pin 9).

$C_M = 4.37fF$ ,  $C_0 = 1.3pF$ ,  $C_{LNOM} = 18pF$ ,  $C_4 = 10pF$ ,  $C_5 = 15pF$  and  $R_S \leq 60\Omega$

Parameters	Test Conditions	Symbol	Min.	Typ.	Max.	Unit
ASK input	Low level input voltage	$V_{ll}$			0.25	V
	High level input voltage	$V_{lh}$	1.7		$V_S$	V
	Input current high	$I_{In}$			30	$\mu A$
FSK input	Low level input voltage	$V_{ll}$			0.25	V
	High level input voltage	$V_{lh}$	1.7		$V_S$	V
	Input current high	$I_{In}$			30	$\mu A$
ENABLE input	Low level input voltage	$V_{ll}$			0.25	V
	High level input voltage	$V_{lh}$	1.7		$V_S$	V
	Input current high	$I_{Inh}$	-40		+40	$\mu A$
	Input current Low	$I_{Inl}$	-40		+40	$\mu A$



## 8. Ordering Information

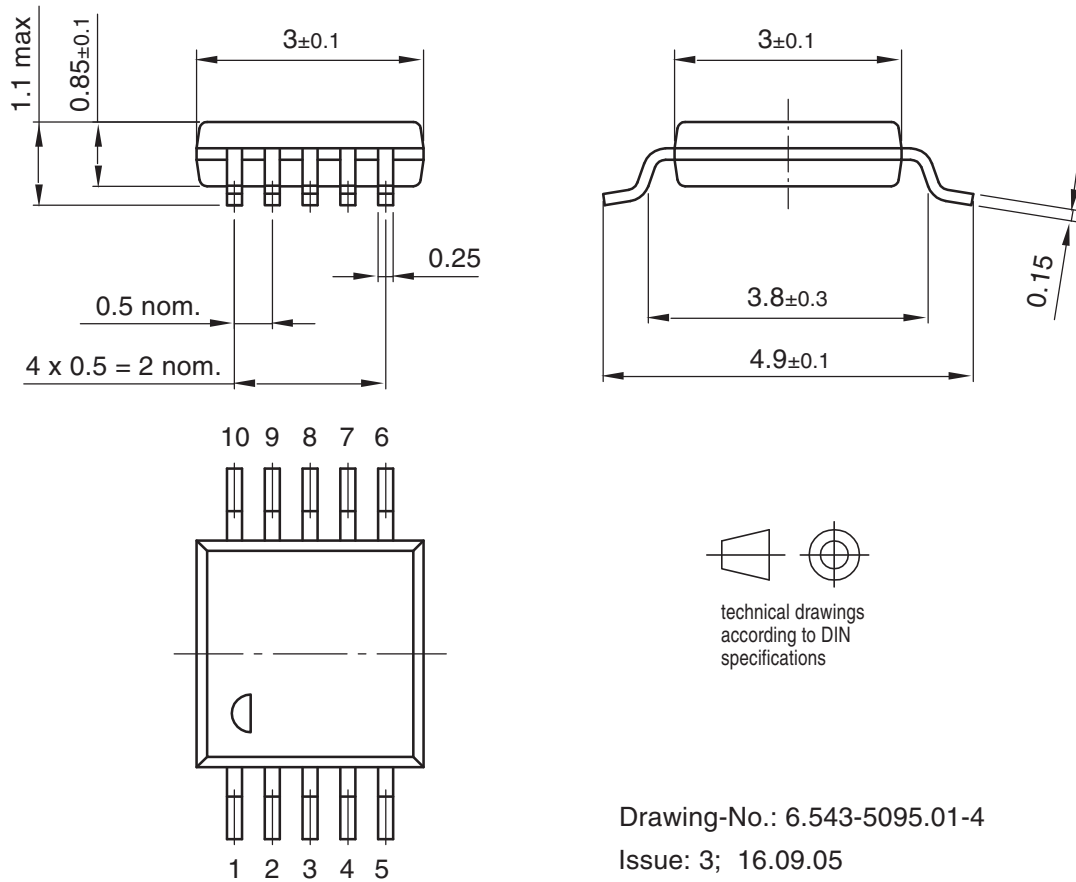
Extended Type Number	Package	Remarks
ATA8404-6DQY	TSSOP10	Pb-free
ATA8405-6DQY	TSSOP10	Pb-free

## 9. Package Information TSSOP10

Package: TSSOP 10  
(acc. to JEDEC Standard MO-187)

Dimensions in mm

Not indicated tolerances  $\pm 0.05$



## 10. Revision History

Please note that the following page numbers referred to in this section refer to the specific revision mentioned, not to this document.

Revision No.	History
9136E-AUTO-10/11	<ul style="list-style-type: none"> <li>• Features on page 1 changed</li> <li>• Table 4.2 “Output Power and Supply Current ...” on page 10 changed</li> <li>• Table 4.3 “Output Power and Supply Current ...” on page 10 changed</li> <li>• Section 7 “Electrical Characteristics” on page 15 changed</li> </ul>
9136D-INDCO-10/11	<ul style="list-style-type: none"> <li>• Set datasheet from Preliminary to Standard</li> </ul>
9136C-INDCO-10/09	<ul style="list-style-type: none"> <li>• Section 8 “Ordering Information” on page 18 changed</li> </ul>
9136B-INDCO-06/09	<ul style="list-style-type: none"> <li>• Figure 1-1 “System Block Diagram” on page 1 changed</li> <li>• Figure 4-7 “ASK Application Circuit” on page 12 changed</li> <li>• Figure 4-8 “FSK Application Circuit” on page 13 changed</li> </ul>



**Atmel Corporation**  
2325 Orchard Parkway  
San Jose, CA 95131  
USA  
**Tel:** (+1)(408) 441-0311  
**Fax:** (+1)(408) 487-2600

**Atmel Asia Limited**  
Unit 01-5 & 16, 19/F  
BEA Tower, Millennium City 5  
418 Kwun Tong Road  
Kwun Tong, Kowloon  
HONG KONG  
**Tel:** (+852) 2245-6100  
**Fax:** (+852) 2722-1369

**Atmel Munich GmbH**  
Business Campus  
Parking 4  
D-85748 Garching b. Munich  
GERMANY  
**Tel:** (+49) 89-31970-0  
**Fax:** (+49) 89-3194621

**Atmel Japan**  
9F, Tonetsu Shinkawa Bldg.  
1-24-8 Shinkawa  
Chuo-ku, Tokyo 104-0033  
JAPAN  
**Tel:** (+81) (3) 3523-3551  
**Fax:** (+81) (3) 3523-7581

© 2011 Atmel Corporation. All rights reserved. / Rev.: 9136E-AUTO-10/11

Atmel®, Atmel logo and combinations thereof, AVR® and others are registered trademarks or trademarks of Atmel Corporation or its subsidiaries. Other terms and product names may be trademarks of others.

Disclaimer: The information in this document is provided in connection with Atmel products. No license, express or implied, by estoppel or otherwise, to any intellectual property right is granted by this document or in connection with the sale of Atmel products. EXCEPT AS SET FORTH IN THE ATMEL TERMS AND CONDITIONS OF SALES LOCATED ON THE ATMEL WEBSITE, ATMEL ASSUMES NO LIABILITY WHATSOEVER AND DISCLAIMS ANY EXPRESS, IMPLIED OR STATUTORY WARRANTY RELATING TO ITS PRODUCTS INCLUDING, BUT NOT LIMITED TO, THE IMPLIED WARRANTY OF MERCHANTABILITY, FITNESS FOR A PARTICULAR PURPOSE, OR NON-INFRINGEMENT. IN NO EVENT SHALL ATMEL BE LIABLE FOR ANY DIRECT, INDIRECT, CONSEQUENTIAL, PUNITIVE, SPECIAL OR INCIDENTAL DAMAGES (INCLUDING, WITHOUT LIMITATION, DAMAGES FOR LOSS AND PROFITS, BUSINESS INTERRUPTION, OR LOSS OF INFORMATION) ARISING OUT OF THE USE OR INABILITY TO USE THIS DOCUMENT, EVEN IF ATMEL HAS BEEN ADVISED OF THE POSSIBILITY OF SUCH DAMAGES. Atmel makes no representations or warranties with respect to the accuracy or completeness of the contents of this document and reserves the right to make changes to specifications and products descriptions at any time without notice. Atmel does not make any commitment to update the information contained herein. Unless specifically provided otherwise, Atmel products are not suitable for, and shall not be used in, automotive applications. Atmel products are not intended, authorized, or warranted for use as components in applications intended to support or sustain life.