



Chipsmall Limited consists of a professional team with an average of over 10 year of expertise in the distribution of electronic components. Based in Hongkong, we have already established firm and mutual-benefit business relationships with customers from,Europe,America and south Asia,supplying obsolete and hard-to-find components to meet their specific needs.

With the principle of “Quality Parts,Customers Priority,Honest Operation,and Considerate Service”,our business mainly focus on the distribution of electronic components. Line cards we deal with include Microchip,ALPS,ROHM,Xilinx,Pulse,ON,Everlight and Freescale. Main products comprise IC,Modules,Potentiometer,IC Socket,Relay,Connector.Our parts cover such applications as commercial,industrial, and automotives areas.

We are looking forward to setting up business relationship with you and hope to provide you with the best service and solution. Let us make a better world for our industry!



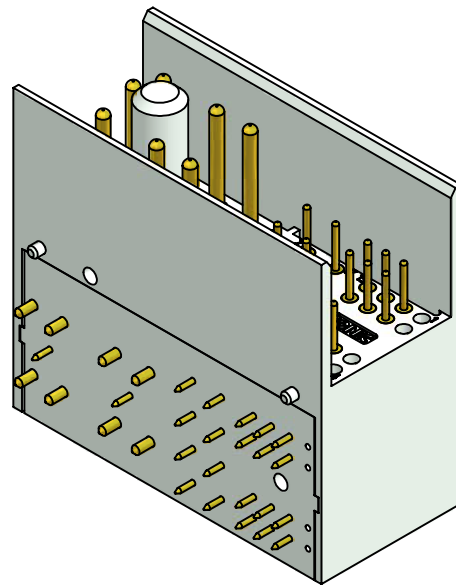
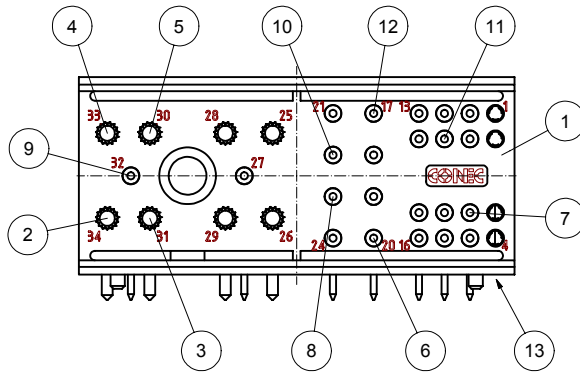
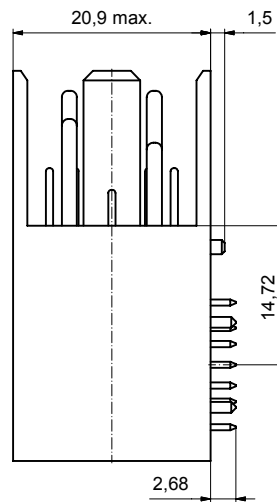
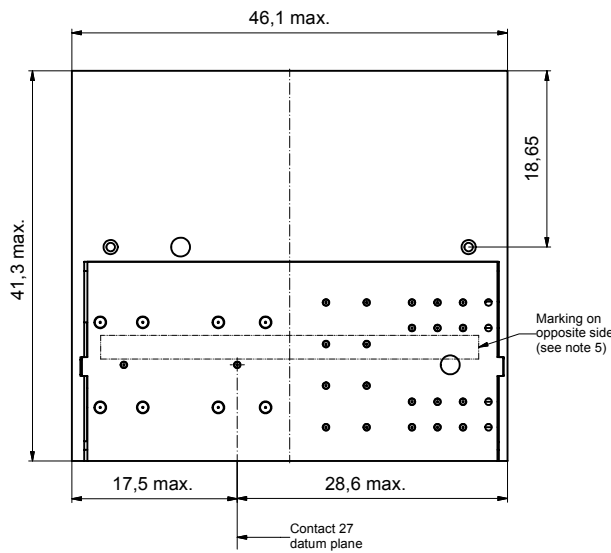
Contact us

Tel: +86-755-8981 8866 Fax: +86-755-8427 6832

Email & Skype: info@chipsmall.com Web: www.chipsmall.com

Address: A1208, Overseas Decoration Building, #122 Zhenhua RD., Futian, Shenzhen, China





NOTES:

- MATERIALS AND FINISHES:**
 - INSULATOR: GLASS FILLED PLASTIC UL 94 V-0 RATED, GREY RAL 7035
 - CONTACTS: COPPER ALLOY, PLATING: 0,8 µM GOLD OVER NICKEL
- ELECTRICAL CHARACTERISTICS:**

CREEPING AND CLEARANCE DISTANCE; MINIMUM SPACING:

 - CONTACTS 5-16 TO ANY OTHER CONTACT WITHIN THIS GROUP: 0,7 MM
 - CONTACTS 17-24 TO ANY OTHER CONTACT WITHIN THIS GROUP: 2,5 MM
 - CONTACT 25 TO 26: 5,5 MM
 - CONTACTS 27-34 TO ANY OTHER CONTACT WITHIN THIS GROUP: 1,4 MM
 - CONTACTS 13-16 TO 17-20: 3,0 MM
 - CONTACTS 21-24 TO 25-26: 4,0 MM
 - CONTACTS 25-26 TO 27-29: 2,0 MM

CONTACT CURRENT RATING:

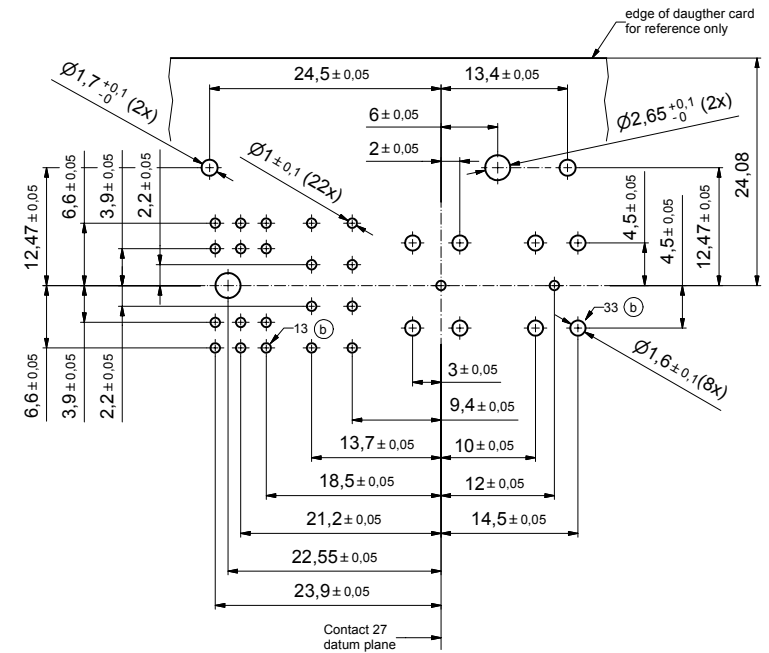
 - POWER CONTACTS: 16 AMPERES MINIMUM, TESTED PER CSA C22.2 NO. 182.3-M1987, ALL CONTACTS UNDER LOAD
 - SIGNAL CONTACTS: 2 AMPERES NOMINAL

INITIAL CONTACT RESISTANCE PER IEC 512-2, TEST 2b:

 - POWER CONTACTS: 0,0022 OHM MAX.
 - SIGNAL CONTACTS: 0,0085 OHM MAX.

INSULATION RESISTANCE: 5 G OHM PER IEC 512-2, TEST 3a, METHOD A
- POSITIONS WITHOUT CONTACTS:** 1, 2, 3, 4
- WORKING TEMPERATURE:** -55°C TO +125°C
- CONNECTOR IS PART MARKED:** [PART-NO. CONEC ABC]

PCB hole pattern



1	Fixing plate	13		
5	Signal contact type 7 (Pos. 5,9,13,17,21)	12		
3	Signal contact type 6 (Pos. 6,10,14)	11		
2	Signal contact type 5 (Pos. 18,22)	10		
2	Signal contact type 4 (Pos. 27,32)	9		
2	Signal contact type 3 (Pos. 19,23)	8		
3	Signal contact type 2 (Pos. 7,11,15)	7		
5	Signal contact type 1 (Pos. 8,12,16,20,24)	6		
3	Power contact type 4 (Pos. 25,28,30)	5		
1	Power contact type 3 (Pos. 33)	4		
3	Power contact type 2 (Pos. 26,29,31)	3		
1	Power contact type 1 (Pos. 34)	2		
1	Case 34pos. male	1		
quantity	part description	partlist	item	dwg no. / norm material

THIS DRAWING MAY NOT BE COPIED OR REPRODUCED IN ANY WAY, AND MAY NOT BE PASSED ON TO A THIRD PARTY WITHOUT THE WRITTEN PERMISSION OF CONEC GmbH	finish:	tolerance	scale:	2,5:1 (10:1)
	see notes	ISO 2768-m	material:	see notes
	date	name	title:	
	drawn 22.08.05	Mankopf	MALE CONNECTOR 30pos.	
appd. 22.08.05	Kühle	SOLDER PIN ANGLED		
norm		AdvancedTCA		
d-old		dwg no:	[Inventor]	DIN-
2 x b	Ä 2592	23.10.06	HS	A2
rev.	description	date	name	sh: 1
			CONEC	part no: 46K2A003
				ATC30W08MARCS5X

