



Chipsmall Limited consists of a professional team with an average of over 10 year of expertise in the distribution of electronic components. Based in Hongkong, we have already established firm and mutual-benefit business relationships with customers from,Europe,America and south Asia,supplying obsolete and hard-to-find components to meet their specific needs.

With the principle of “Quality Parts,Customers Priority,Honest Operation,and Considerate Service”,our business mainly focus on the distribution of electronic components. Line cards we deal with include Microchip,ALPS,ROHM,Xilinx,Pulse,ON,Everlight and Freescale. Main products comprise IC,Modules,Potentiometer,IC Socket,Relay,Connector.Our parts cover such applications as commercial,industrial, and automotives areas.

We are looking forward to setting up business relationship with you and hope to provide you with the best service and solution. Let us make a better world for our industry!



## Contact us

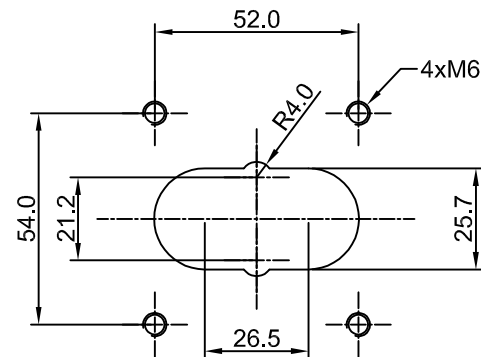
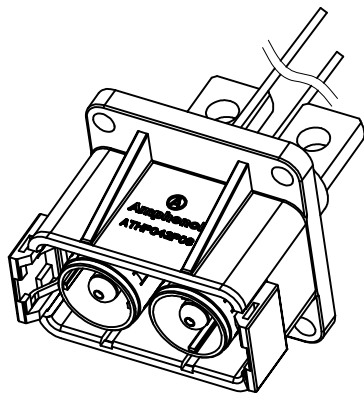
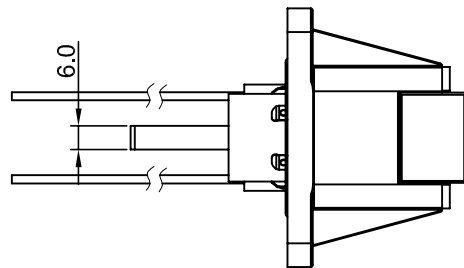
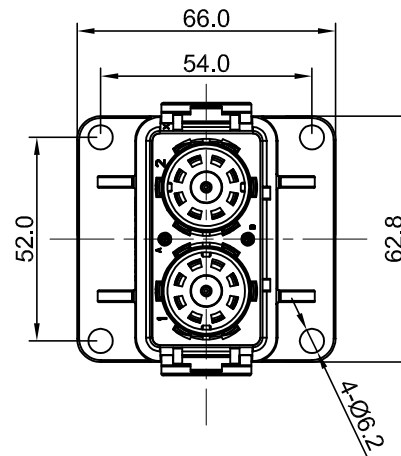
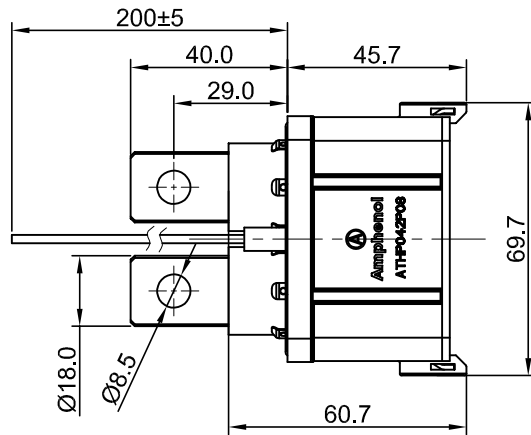
Tel: +86-755-8981 8866 Fax: +86-755-8427 6832

Email & Skype: info@chipsmall.com Web: www.chipsmall.com

Address: A1208, Overseas Decoration Building, #122 Zhenhua RD., Futian, Shenzhen, China



REVISIONS					
REV	ECO	DESCRIPTION	DATE	BY	APPR
A1	-	RELEASE NEW DRAWING	May,10,17	Regan	Tommy

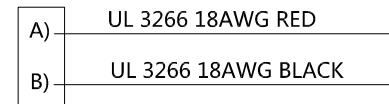


**RECOMMEND PANEL CUT**  
Dimensions tolerance: ±0.05

NOTES: UNLESS OTHERWISE SPECIFIED

- MATERIAL:
  - HOUSING: THERMOPLASTIC UL 94V0
  - SEAL: SILICONE RUBBER
  - POWER CONTACT: COPPER ALLOY, SILVER PLATED
  - SHIELDING: COPPER ALLOY, TIN PLATED
- SPECIFICATIONS:
  - CURRENT RATING: 50mm<sup>2</sup>@180 AMPS
  - VOLTAGE RATING: 1000 V AC/DC
  - OPERATING TEMPERATURE: -40°C TO +130°C
  - DIELECTRIC WITHSTANDING VOLTAGE: LESS THAN 2 MILLIAMPS CURRENT LEAKAGE @ 3000 VOLTS AC.
  - INSULATION RESISTANCE: 500 MEGOHMS MIN@25°C.
  - DEGREE OF PROTECTION: IP67 (MATED CONDITION)
  - MATING CYCLE DURABILITY: 100 CYCLES
  - RoHS COMPLIANT
- SIGNAL CONTACT: RT SERIES 16# PIN CONTACT  
POWER CONTACT: SC000445-8
- ALL DIMENSIONS ARE FOR REFERENCE USE ONLY.

Wiring Diagram



QUANTITY	PART NUMBER	DESCRIPTION	ITEM
<b>MATERIALS LIST</b>			
UNLESS OTHERWISE SPECIFIED 1) All dimensions are in metric (mm). 2) Tolerances are as follows: 1 PL DEC ±0.30 2 PL DEC ±0.15 3 PL DEC ±0.08 3) Note reference =		<b>Amphenol</b> Sine Systems - www.amphenol-sine.com 44724 Morley Drive Clinton Township, MI 48036	
SIGNATURES		DATE	
DRAWN: Regan		May,10,17	
CHECKED: Tod		May,10,17	
ENGINEER:			
APPROVAL: Tommy		May,10,17	
MATERIAL SPECIFICATIONS:		CUSTOMER:	
PROCESS SPECIFICATIONS:		THIS DRAWING IS SUPPLIED FOR INFORMATION ONLY. DESIGN FEATURES, SPECIFICATIONS AND PERFORMANCE DATA SHOWN HEREON ARE THE PROPERTY OF THE AMPHENOL CORPORATION. NO RIGHTS OF REPRODUCTION ARE IMPLIED. ALL DIMENSIONS ARE SUBJECT TO NORMAL MANUFACTURING VARIATIONS.	
NEXT ASSY:		SIZE: B C-	TYPE: ATHP042P08EL16-H1
		SCALE: NONE	REVISION: A1
			SHEET 1 OF 1

TITLE: ATHP RECEPTACLE 2 PIN, 8MM FLANG MOUNTING WITH EMC SHIELDING  
DWG NO: ATHP042P08EL16-H1  
REV: A1  
SH: 1  
OF: 1